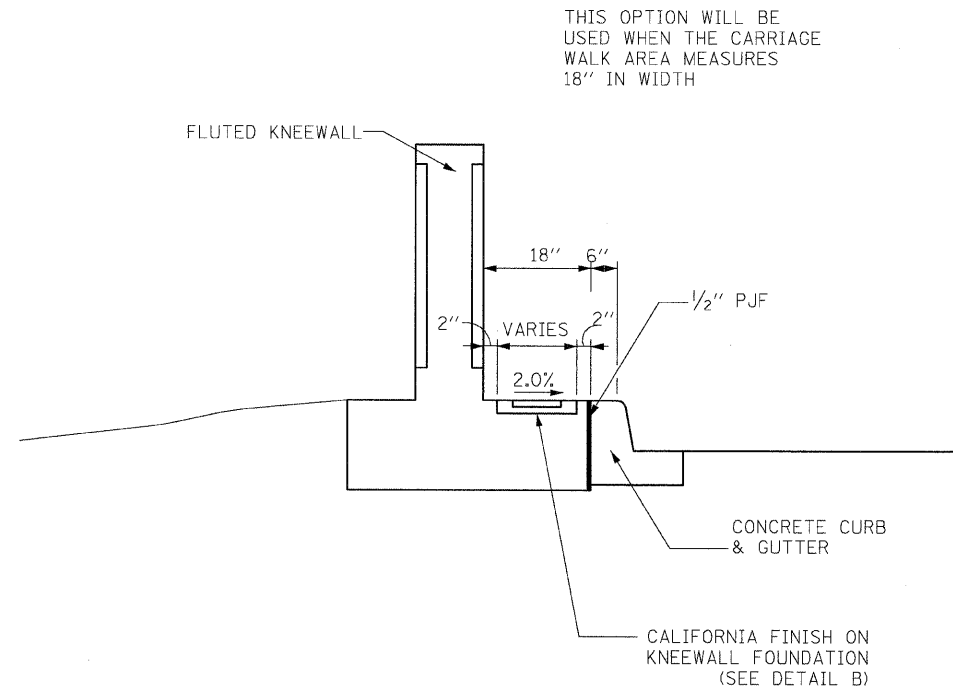
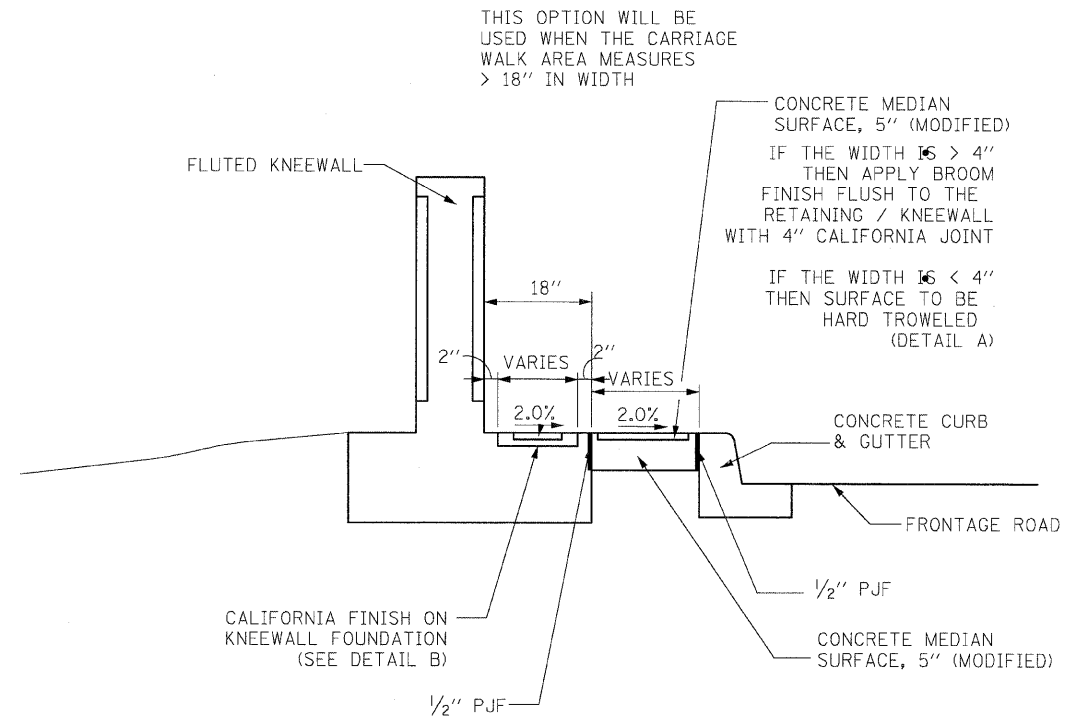


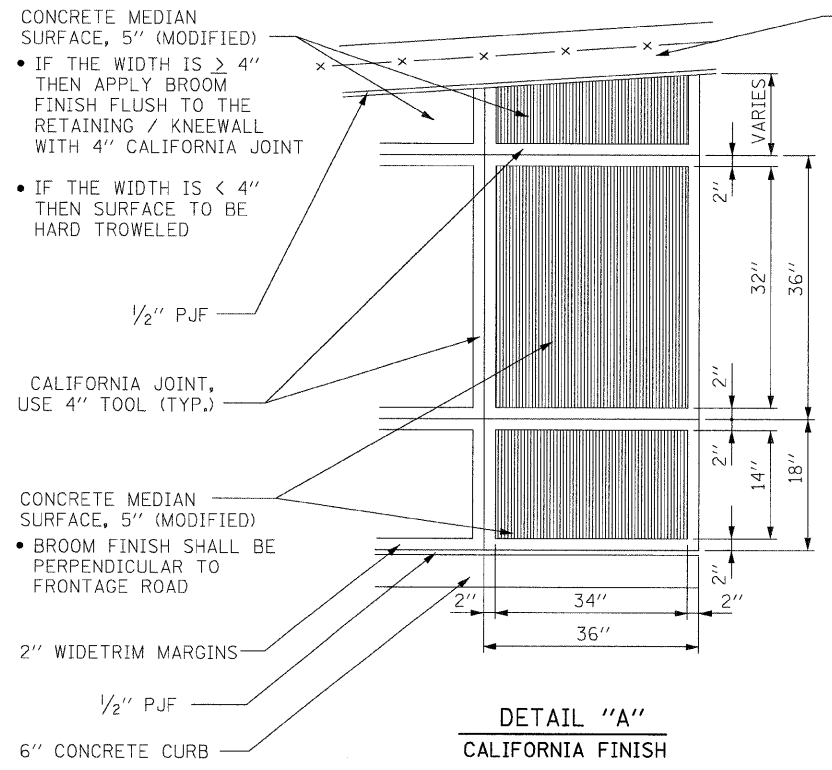
|                     |                           |        |              |           |
|---------------------|---------------------------|--------|--------------|-----------|
| F.A.I.              | SECTION                   | COUNTY | TOTAL SHEETS | SHEET NO. |
| 94/90               |                           | COOK   | 25           | 15A       |
| STA.                | TO STA.                   |        |              |           |
| FED. ROAD DIST. NO. | ILLINOIS FED. AID PROJECT |        |              |           |
| 60A00               | 2324.6-1P-1-5             |        |              |           |



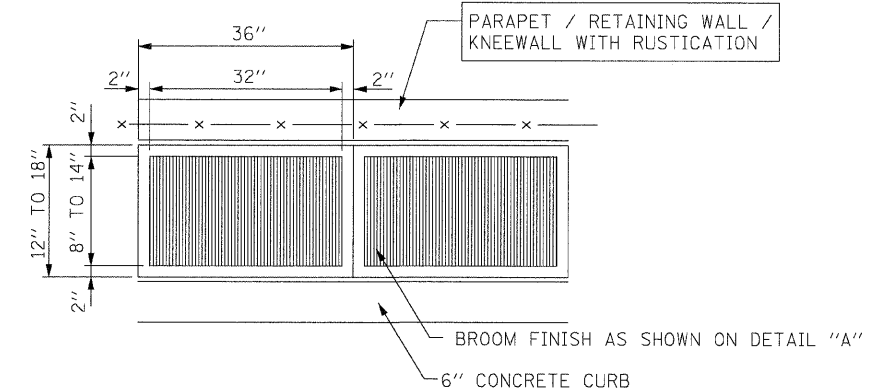
**CARRIAGE WALK**  
WIDTH = 18"



**CARRIAGE WALK**  
WIDTH > 18"



**DETAIL "A"**  
CALIFORNIA FINISH



**DETAIL "B"**  
CALIFORNIA FINISH

| REVISIONS |        |
|-----------|--------|
| NAME      | DATE   |
| NEW SHEET | 3-6-08 |
|           |        |
|           |        |
|           |        |
|           |        |
|           |        |
|           |        |
|           |        |
|           |        |

ILLINOIS DEPARTMENT OF TRANSPORTATION  
 F.A.I. 94/90 (DAN RYAN EXPRESSWAY)  
 GARFIELD BLVD TO 31ST STREET (NB LOCAL LANES)  
 ROADWAY DETAILS  
 CONCRETE MEDIAN SURFACE 5"  
 (MODIFIED) CALIFORNIA FINISH  
 SCALE: NONE  
 DATE: 03/06/08  
 DRAWN BY: CTE  
 CHECKED BY: JDC

BOWMAN, BARRETT & ASSOCIATES INC.  
 CONSULTING ENGINEERS  
 Chicago, Illinois  
 312.228.0100  
 www.bbainc.com

3/16/2008 6:30:59 PM