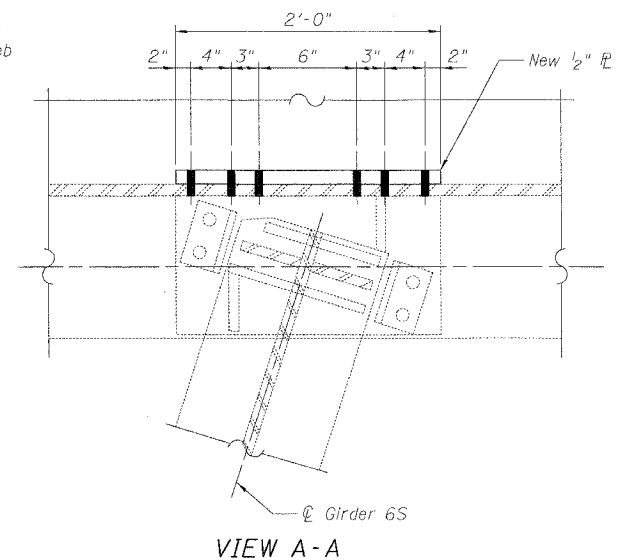
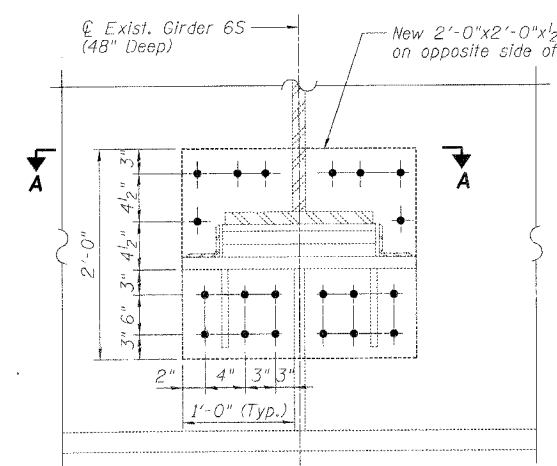
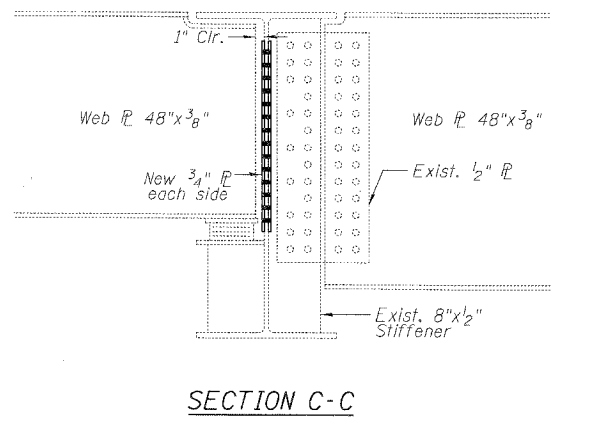
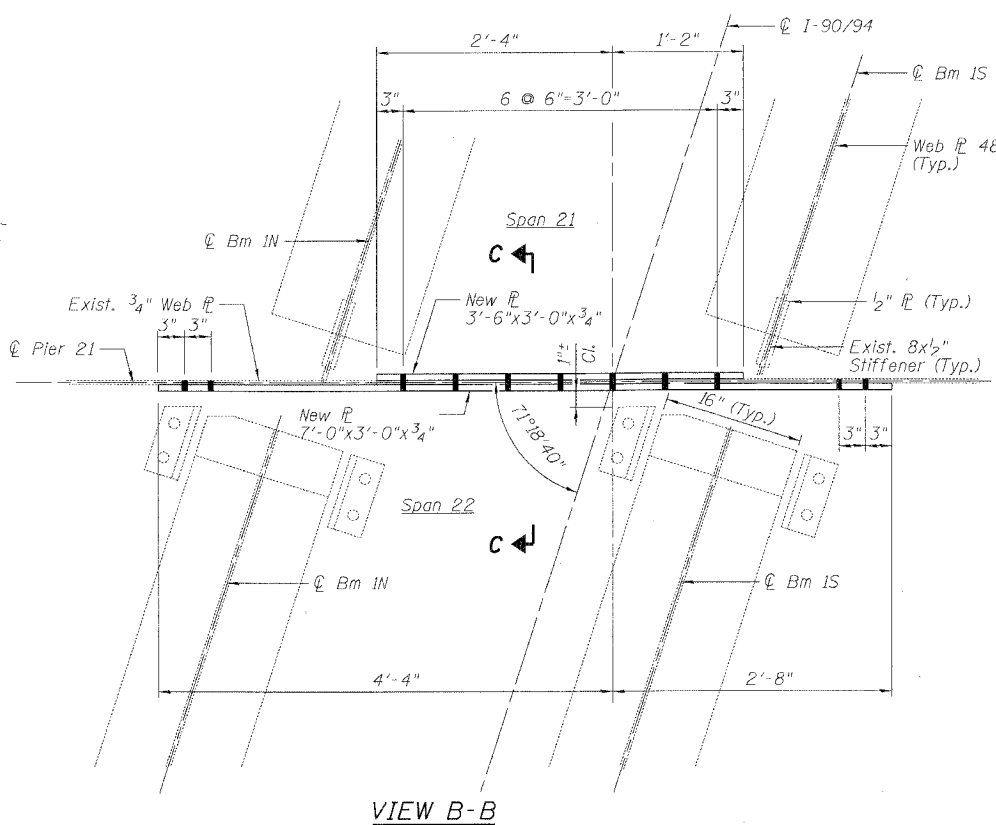
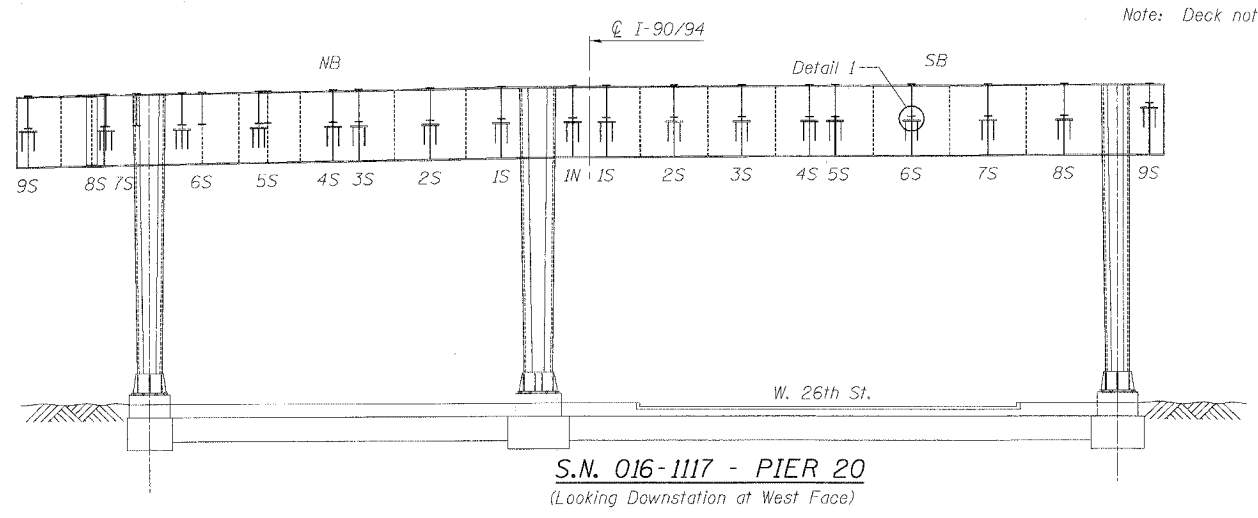
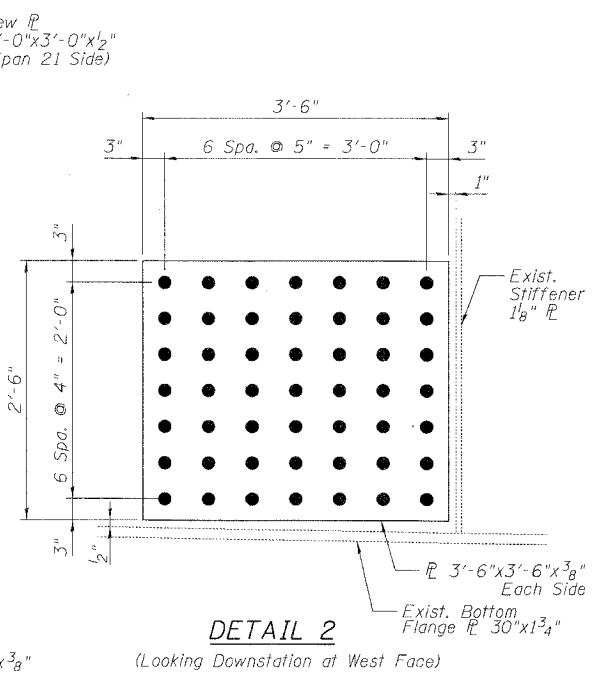
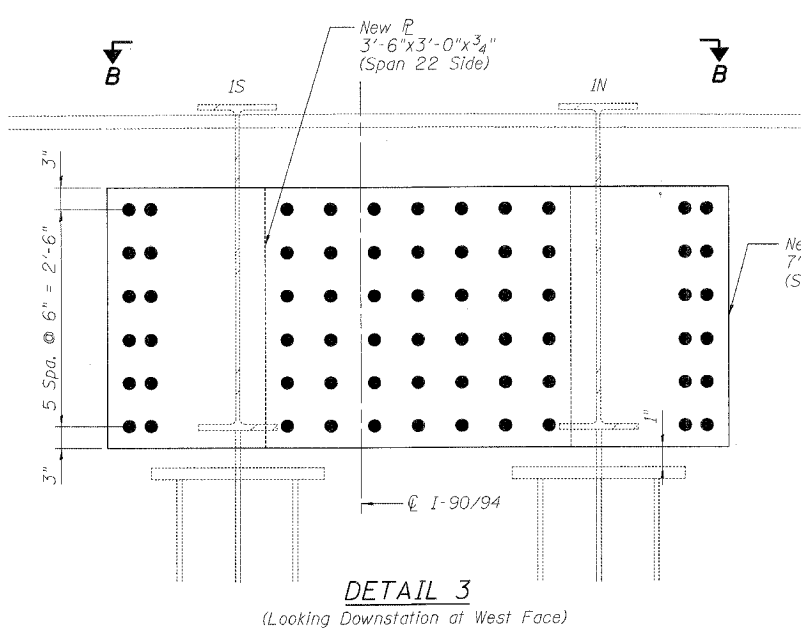
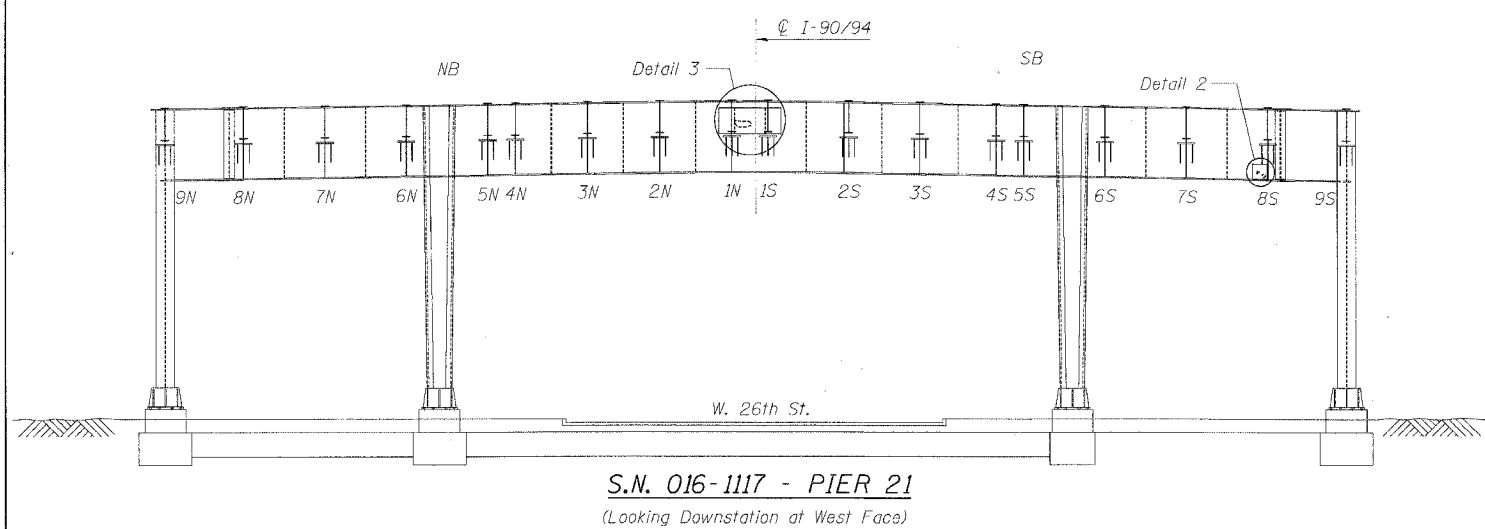


F.A.I.	SECTION	COUNTY	TOTAL SHEETS	SHEET NO.
94/90	2005-086 I	COOK	228	49
STA.		TO STA.		
FED. ROAD DIST. NO.		ILLINOIS FED. AID PROJECT		
60B07				



**DETAIL OF WEB REPAIR
AT S.N. 016-1117**
(Pier 20, Span 21, Beam 6S)

DETAIL J - WEB REPAIRS
(SN 016-1117)

BILL OF MATERIAL

Item	Unit	Quantity
Structural Steel Repair	Pound	2,310

REVISIONS	
NAME	DATE

ILLINOIS DEPARTMENT OF TRANSPORTATION
F.A.I. 94/90 (DAN RYAN EXPRESSWAY)
DAN RYAN ELEVATED BRIDGE
BEARING REPLACEMENT & STEEL REPAIR

STEEL REPAIRS - DETAIL J

SCALE: NTS
DATE: 3/7/2008

DRAWN BY: LAM
CHECKED BY: BLU

BOWMAN, BARRETT & ASSOCIATES INC.
CONSULTING ENGINEERS
Chicago, Illinois
312.228.0100
www.bbainc.com

8-4625 AM 3/7/2008