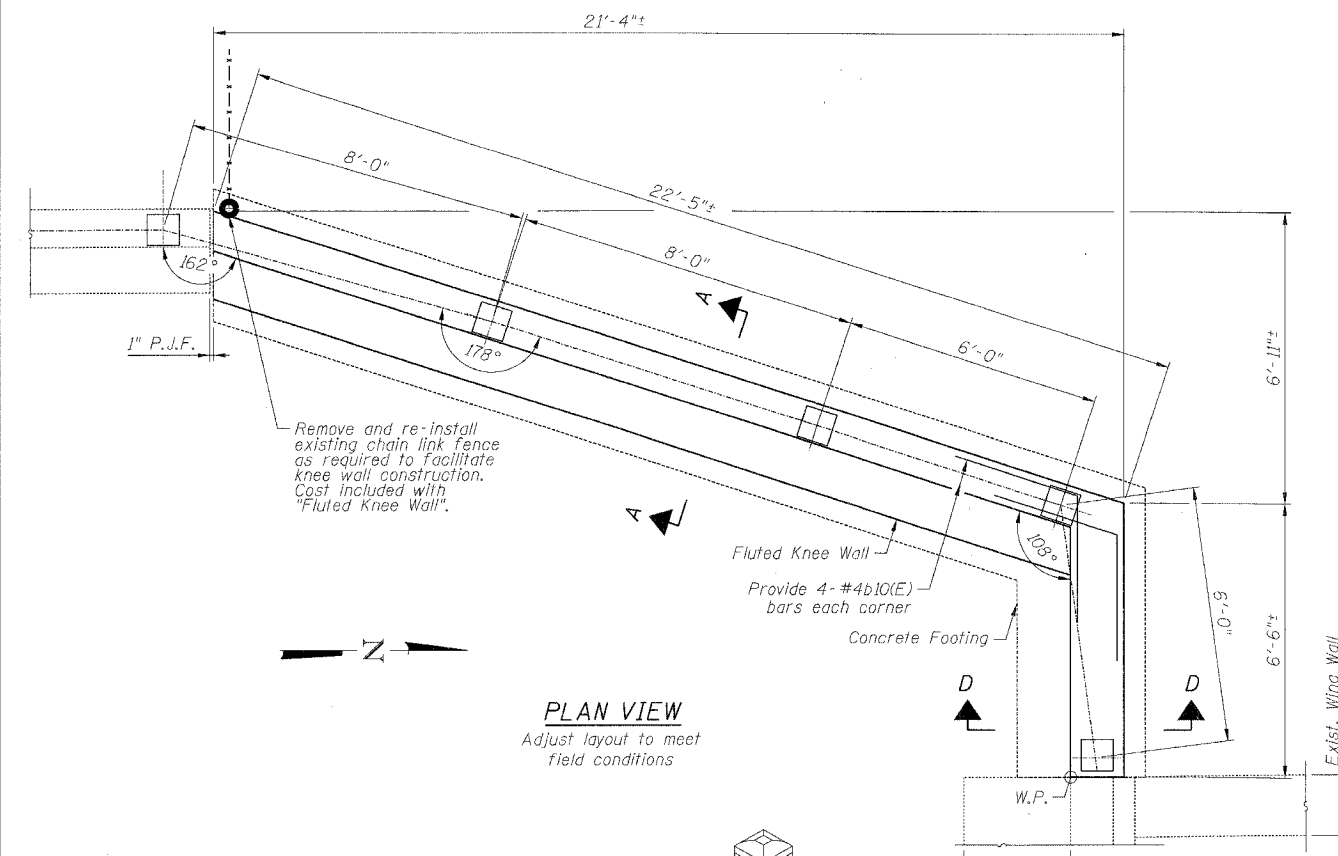
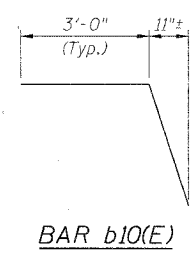


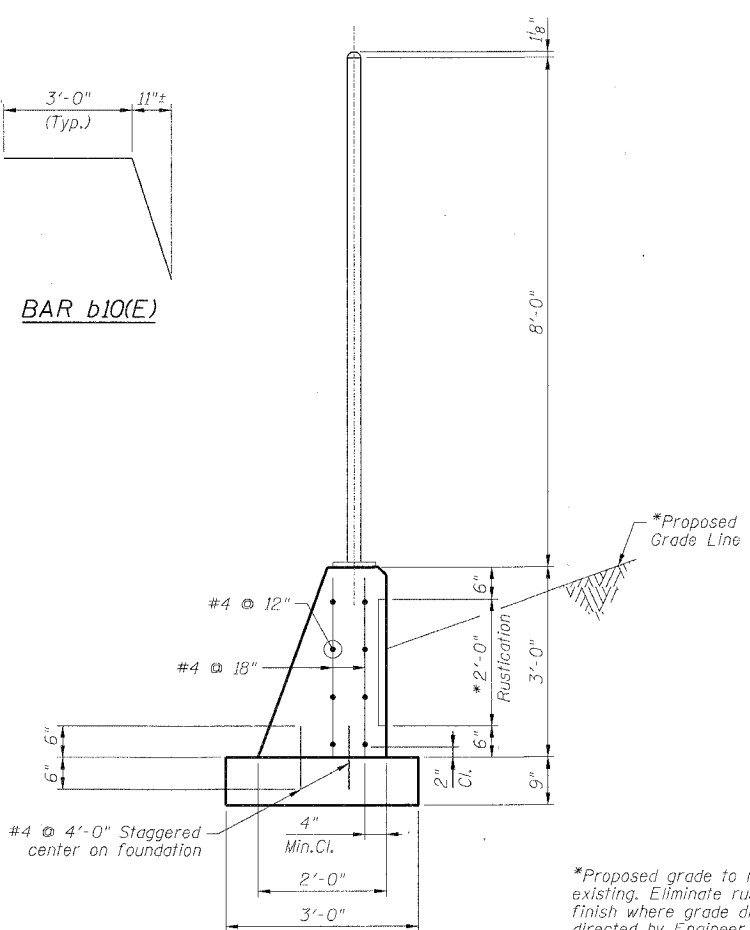
F.A.I.	SECTION	COUNTY	TOTAL SHEETS	SHEET NO.
94/90	2005-086 I	COOK	228	55
STA.	TO STA.			
FED. ROAD DIST. NO.	ILLINOIS FED. AID PROJECT			
60B07				



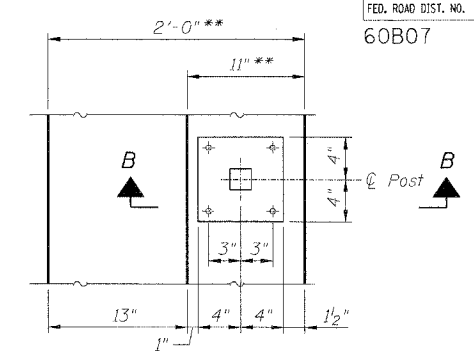
**PLAN VIEW**  
Adjust layout to meet field conditions



**BAR b10(E)**

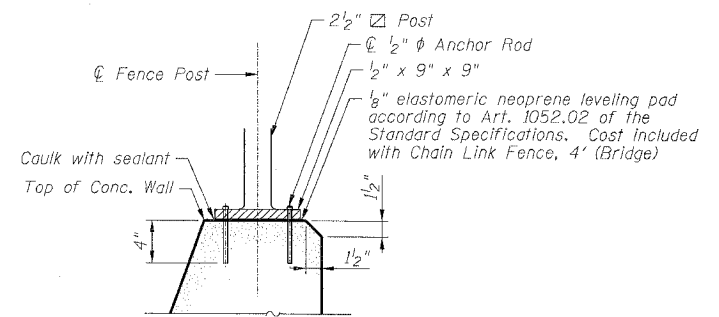


**SECTION A-A**



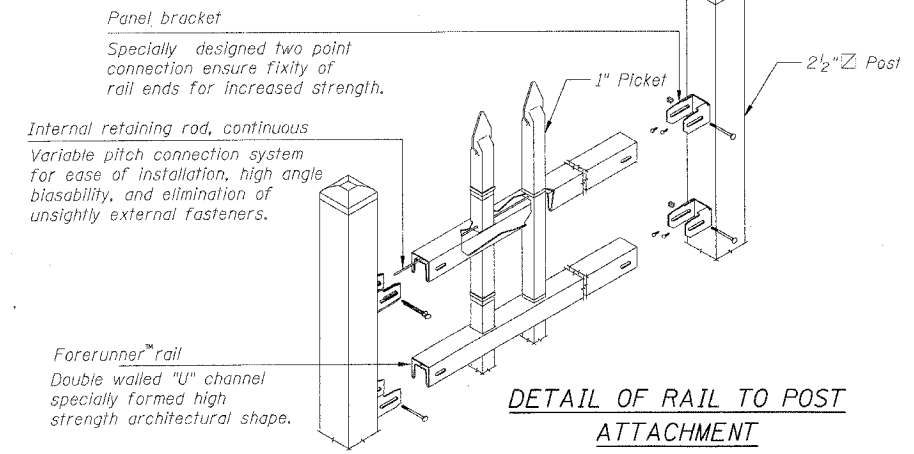
**BASE PLATE DETAIL**

\*\*Adjust as required to match Sec. D-D

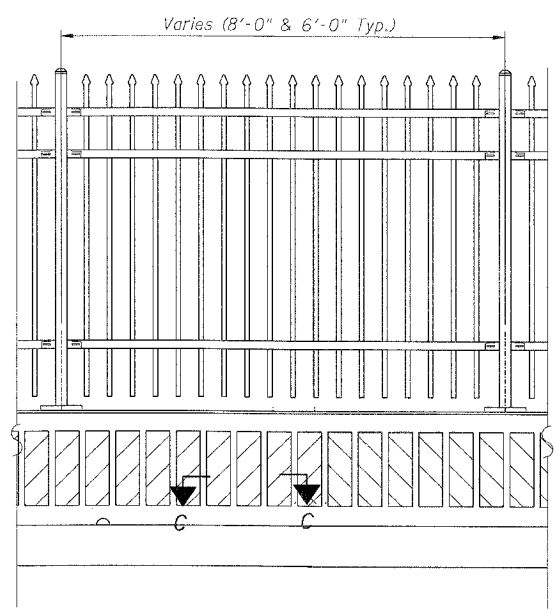


**SECTION B-B**

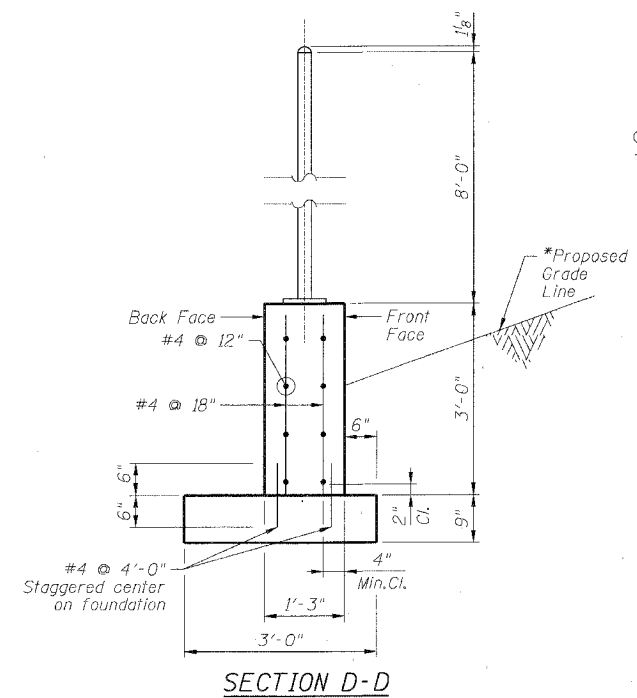
\*Proposed grade to match existing. Eliminate rustication finish where grade dictates as directed by Engineer.



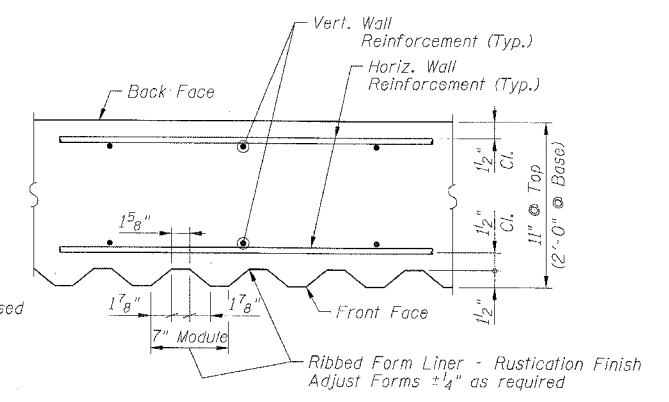
**DETAIL OF RAIL TO POST ATTACHMENT**



**ELEVATION**



**SECTION D-D**



**SECTION C-C**

**BILL OF MATERIAL**

Item	Unit	Qty.
Ornamental Fence	Foot	1,008
Fluted Knee Wall	Foot	28

**NOTES:**

- Contractor shall restore area disturbed by knee wall construction as directed by Engineer. Cost included in "Fluted Knee Wall".
- Cost of "Fluted Knee Wall" shall include Concrete Superstructure stem, Concrete Structures Foundation, Reinforcement Bars (Epoxy Coated), all form liners for Rustication Finish, Protective Coat, Structure Excavation and Preformed Joint Filler.
- Drill and grout 1/2" diameter Anchor Rods in accordance with Art. 584 of the Standard Specifications. Provide hex nuts and washers. Galvanize rods, nuts and washers in accordance with Art. 1006.09 of the Standard Specifications. Cost included with "Chain Link Fence, 4' (Bridge)".

BOWMAN, BARRETT & ASSOCIATES INC  
CONSULTING ENGINEERS  
Chicago, Illinois  
312.228.0100  
www.bbainc.com

REVISIONS	
NAME	DATE

ILLINOIS DEPARTMENT OF TRANSPORTATION  
F.A.I. 94/90 (DAN RYAN EXPRESSWAY)  
DAN RYAN ELEVATED BRIDGE  
BEARING REPLACEMENT & STEEL REPAIR  
ORNAMENTAL FENCE DETAIL (2 of 3)  
SCALE: NTS  
DATE: 3/1/2008  
DRAWN BY: MTR  
CHECKED BY: BLU

3/21/2008 9:41:22 AM