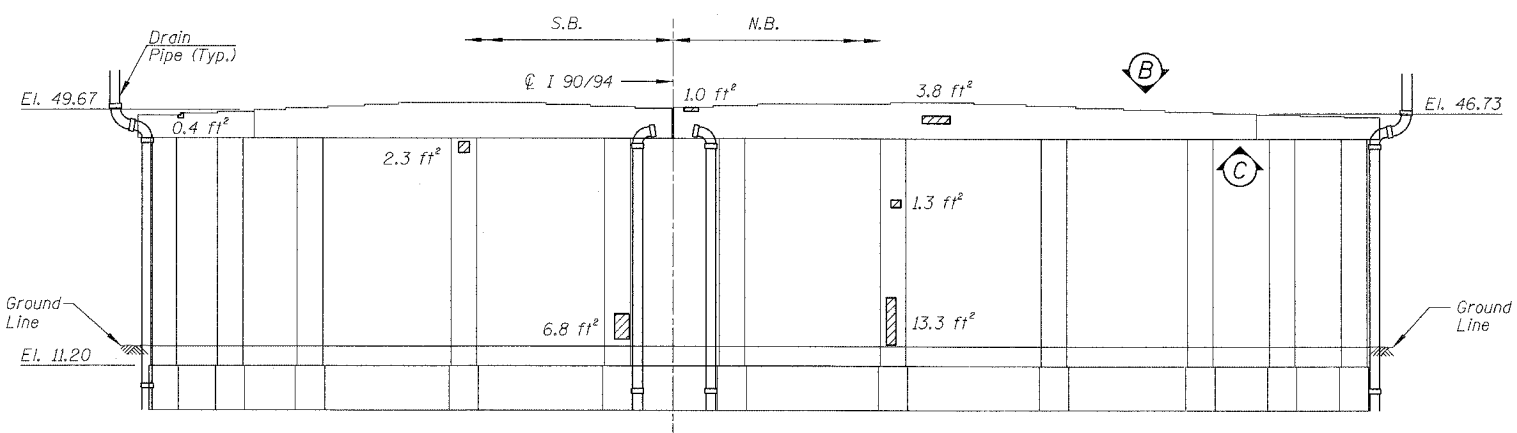
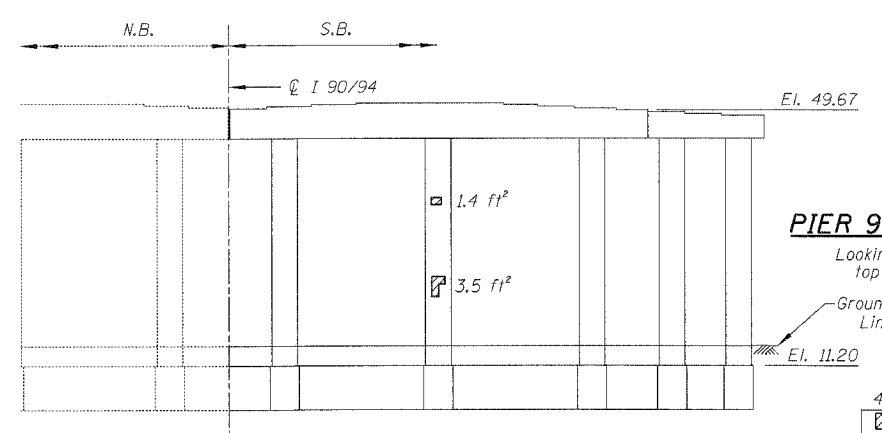


F.A.I.	SECTION	COUNTY	TOTAL SHEETS	SHEET NO.
94/90	2005-086 I	COOK	228	58
STA.	TO STA.			
FED. ROAD DIST. NO.	ILLINOIS	FED. AID PROJECT		
60B07				



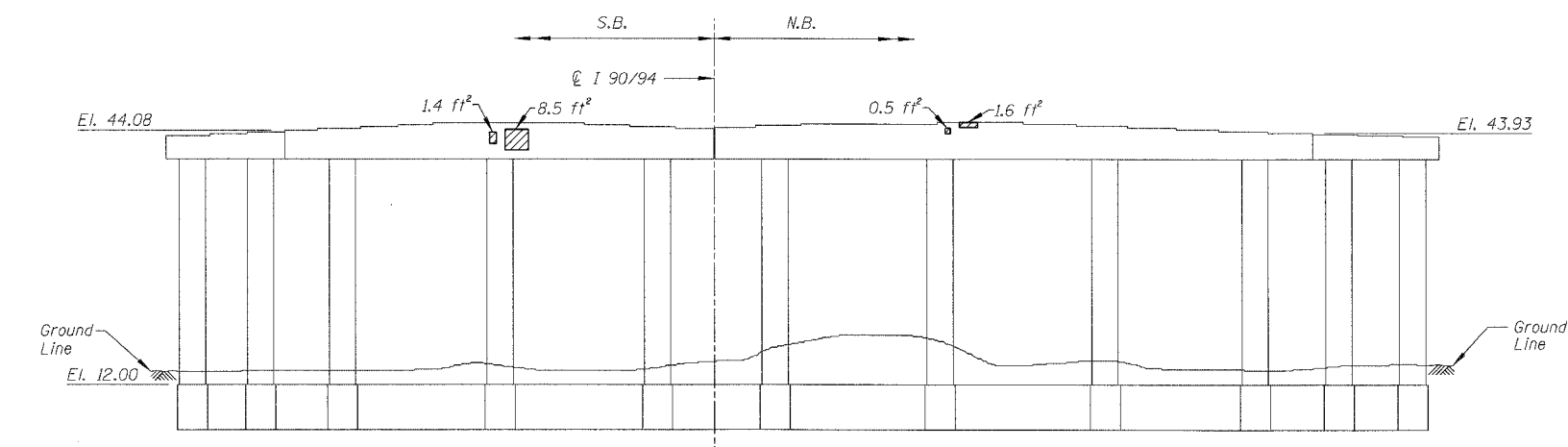
PIER 9 - SOUTH ELEVATION
(Looking North)



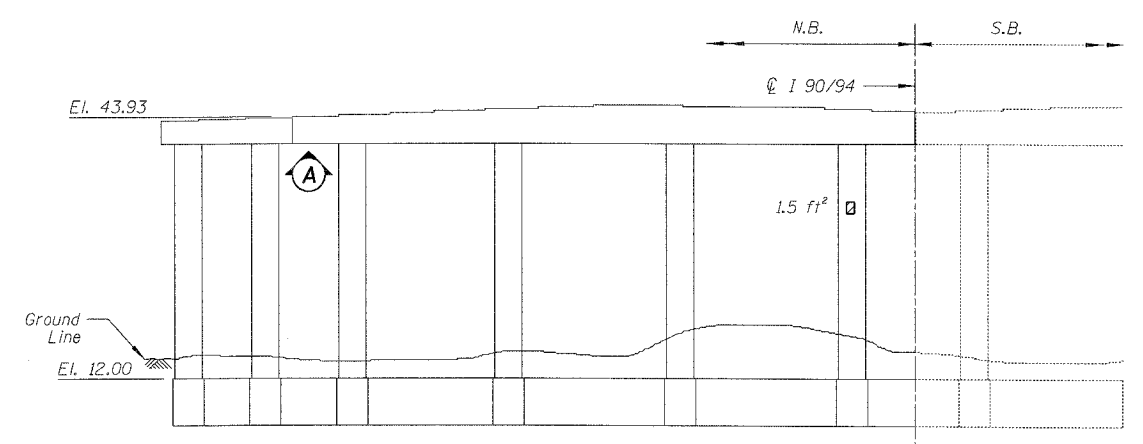
PIER 9 - NORTH ELEVATION
(Looking South)

PIER 9 - VIEW B **PIER 9 - VIEW C**
Looking down at top of seat Looking down at top of seat

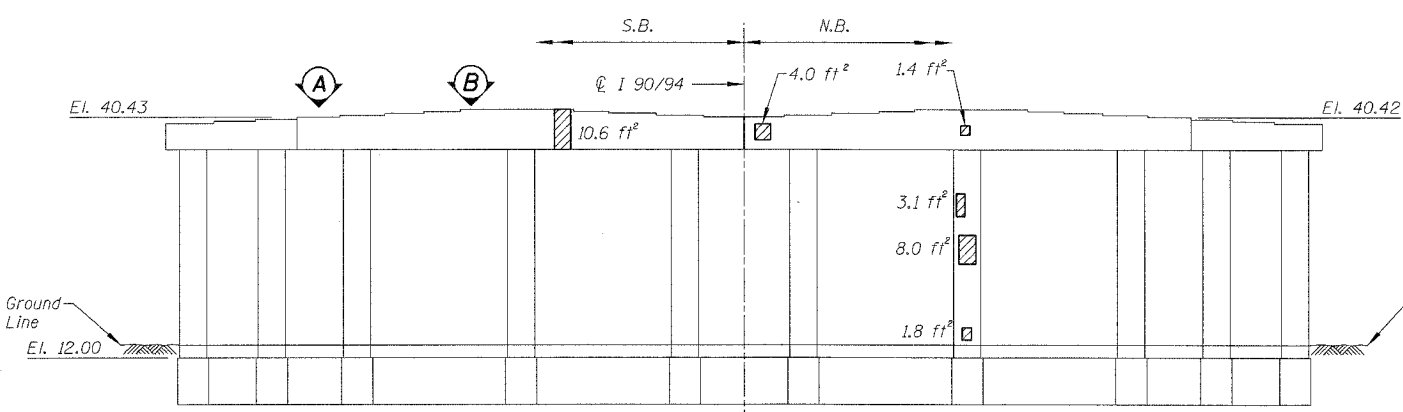
PIER 10 - VIEW A **PIER 12 - VIEW A**
Looking up at bottom of cap Looking down at top of seat



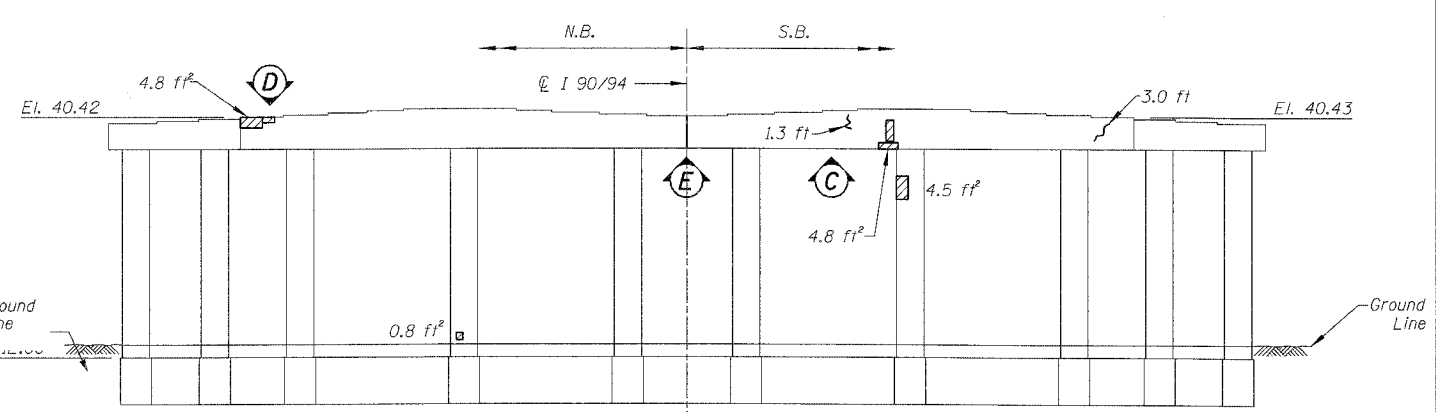
PIER 10 - SOUTH ELEVATION
(Looking North)



PIER 10 - NORTH ELEVATION
(Looking South)



PIER 12 - SOUTH ELEVATION
(Looking North)



PIER 12 - NORTH ELEVATION
(Looking South)

BILL OF MATERIAL

ITEM	UNIT	QUANTITY
Structural Repair of Concrete (Depth equal to or less than 5')	SQ. FT.	123.6
Epoxy Crack Injection	FOOT	4.3

PIER 12 - VIEW B
Looking down at top of seat

PIER 12 - VIEW C
Looking up at bottom of cap

PIER 12 - VIEW D
Looking down at top of seat

PIER 12 - VIEW E
Looking up at bottom of cap

REVISIONS	
NAME	DATE

ILLINOIS DEPARTMENT OF TRANSPORTATION
F.A.I. 94/90 (DAN RYAN EXPRESSWAY)
DAN RYAN ELEVATED BRIDGE
BEARING REPLACEMENT & STEEL REPAIR
CONCRETE PIER REPAIRS
SN 016-0137, PIERS 9,10,12
SCALE: NTS DRAWN BY: LAM
DATE: 5/18/2007 CHECKED BY: BLU

For Notes and Legend See Sheet 6

BOWMAN, BARRETT & ASSOCIATES INC.
CONSULTING ENGINEERS
Chicago, Illinois
312.228.0100
www.bbainc.com

4/5/2007 4:59:22 PM