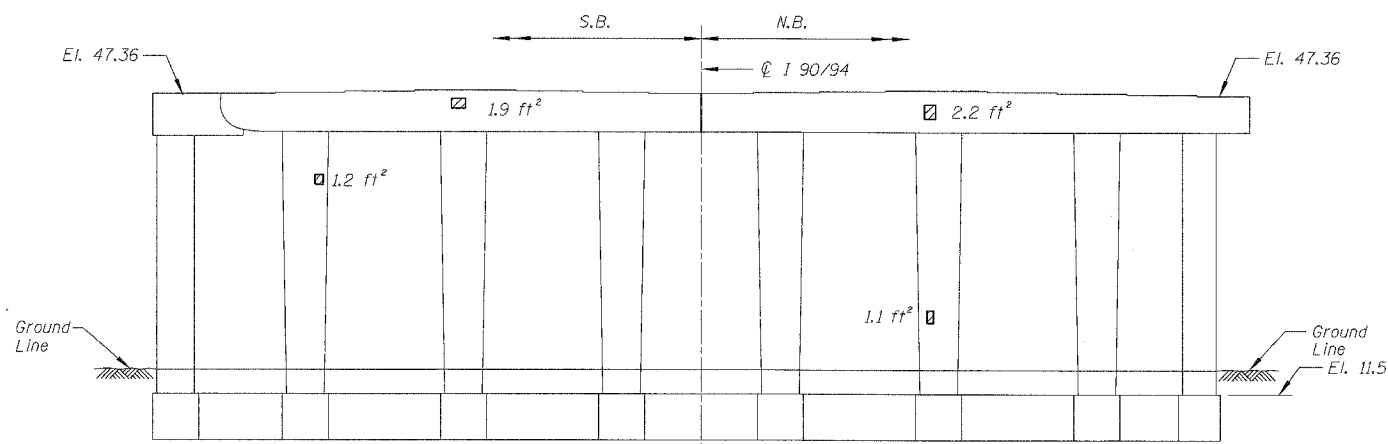
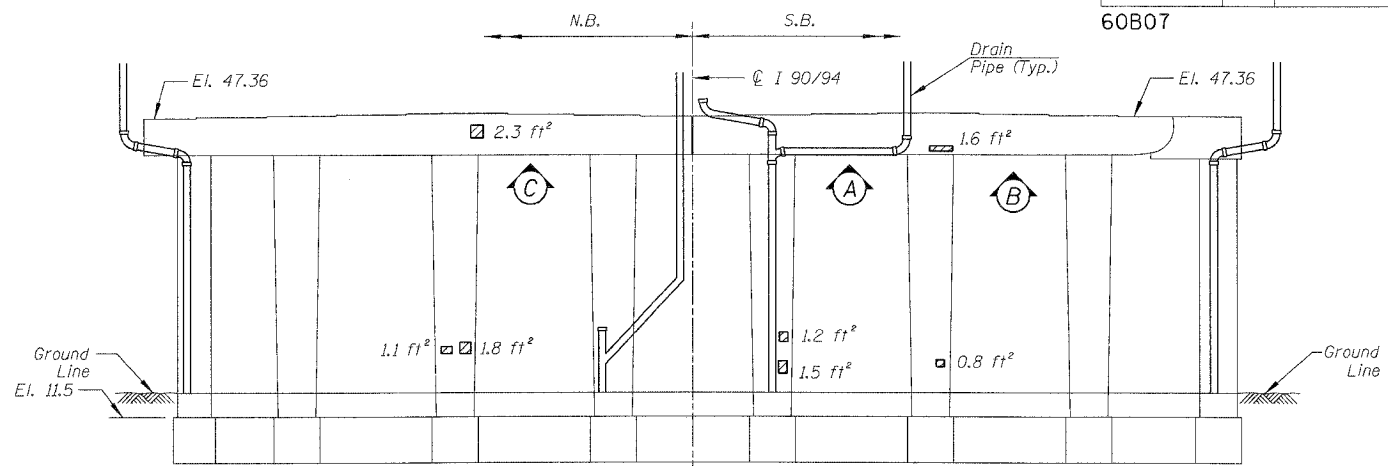


F.A.I.	SECTION	COUNTY	TOTAL SHEETS	SHEET NO.
94/90	2005-086 I	COOK	228	68
STA.	TO STA.			
FED. ROAD DIST. NO.	ILLINOIS	FED. AID PROJECT		

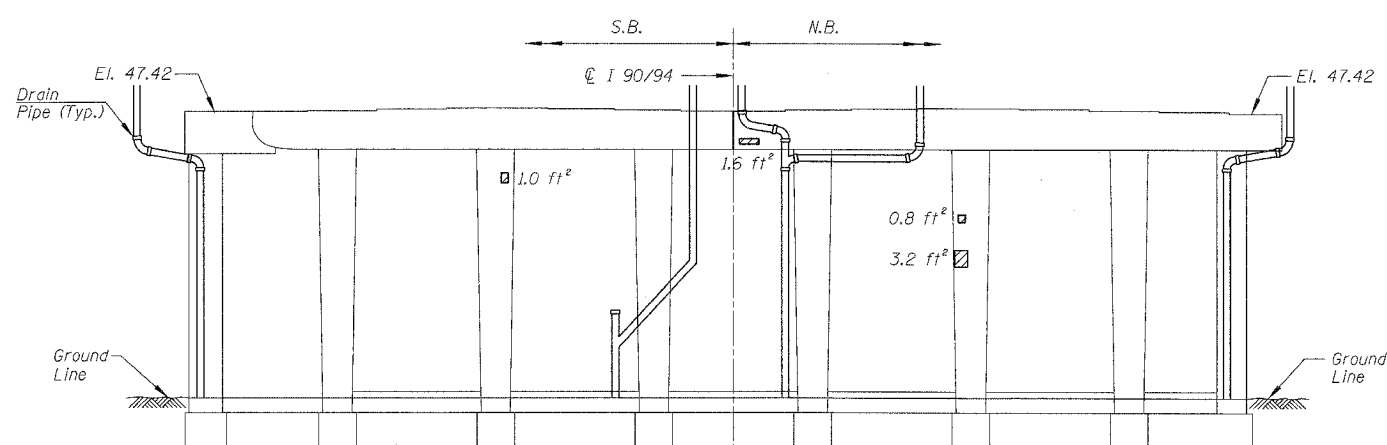
60B07



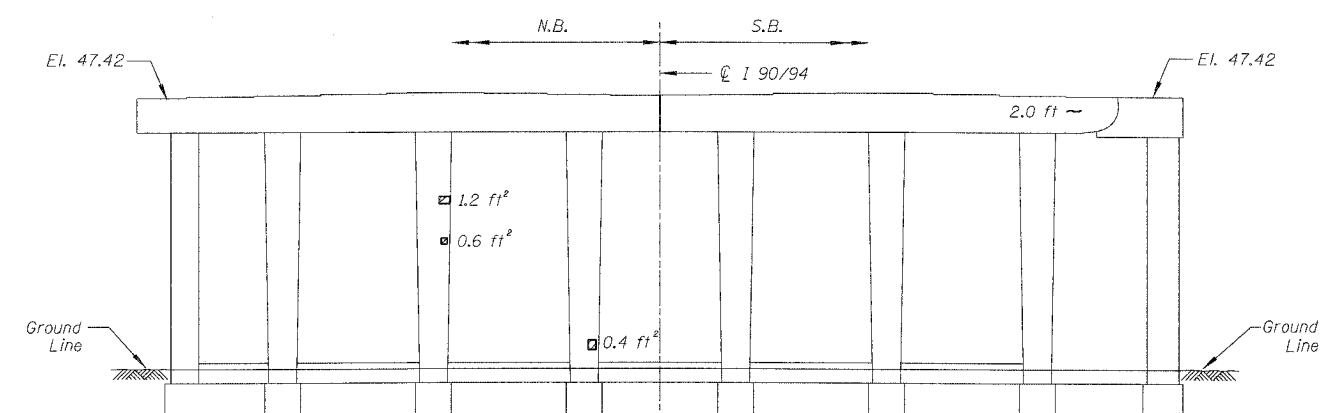
PIER 10 - SOUTH ELEVATION
(Looking North)



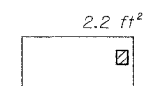
PIER 10 - NORTH ELEVATION
(Looking South)



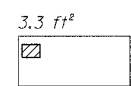
PIER 11 - SOUTH ELEVATION
(Looking North)



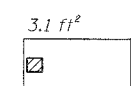
PIER 11 - NORTH ELEVATION
(Looking South)



PIER 10 - VIEW A
Looking up at bottom of cap



PIER 10 - VIEW B
Looking up at bottom of cap



PIER 10 - VIEW C
Looking up at bottom of cap

BILL OF MATERIAL

ITEM	UNIT	QUANTITY
Structural Repair of Concrete (Depth equal to or less than 5")	SO. FT.	34.1
Epoxy Crack Injection	FOOT	2.0

REVISIONS	
NAME	DATE

ILLINOIS DEPARTMENT OF TRANSPORTATION
F.A.I. 94/90 (DAN RYAN EXPRESSWAY)
DAN RYAN ELEVATED BRIDGE
BEARING REPLACEMENT & STEEL REPAIR
CONCRETE PIER REPAIRS
SN 016-1111, PIERS 10&11
SCALE: NTS
DATE: 5/18/2007
DRAWN BY: LAM
CHECKED BY: BLU

BOWMAN, BARRETT & ASSOCIATES INC.
CONSULTING ENGINEERS
Chicago, Illinois
312.228.0100
www.bbainc.com

For Notes and Legend See Sheet 6

F:\PROJECTS\94\90\BRIDGE\PIERS\PIER 10\PIER 10.DWG (11/11/07) 4:55:33 PM