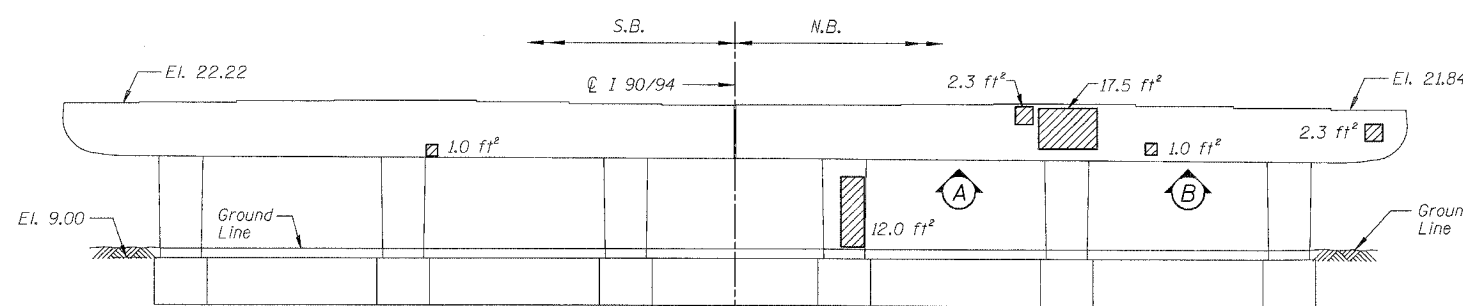
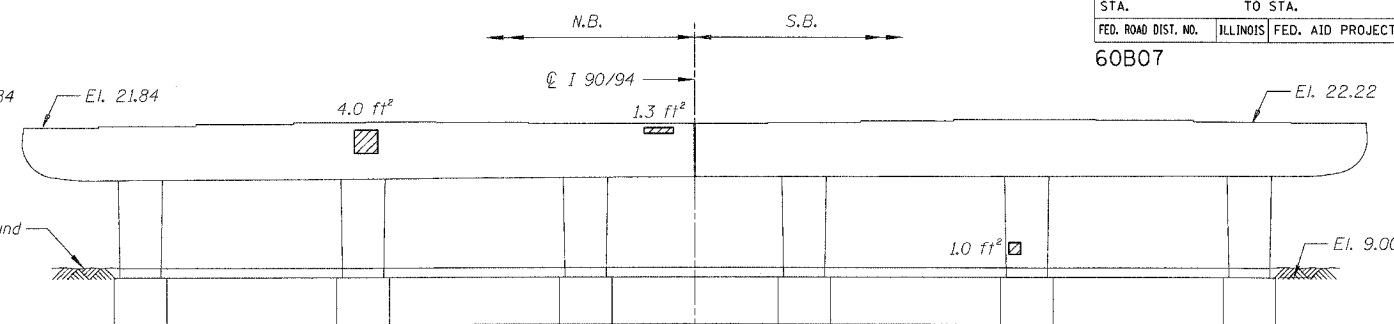


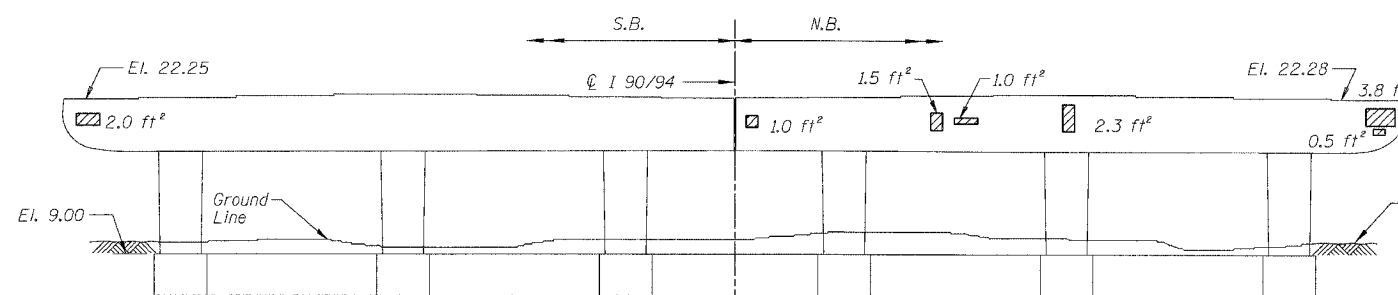
F.A.I.	SECTION	COUNTY	TOTAL SHEETS	SHEET NO.
94/90	2005-086 I	COOK	228	70
STA.	TO STA.			
FED. ROAD DIST. NO.	ILLINOIS	FED. AID PROJECT		
60B07				



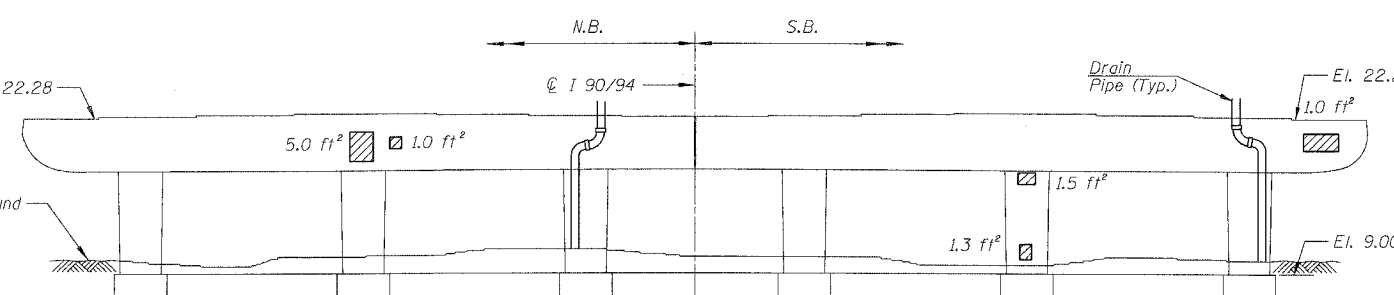
**PIER 16 - SOUTH ELEVATION**  
(Looking North)



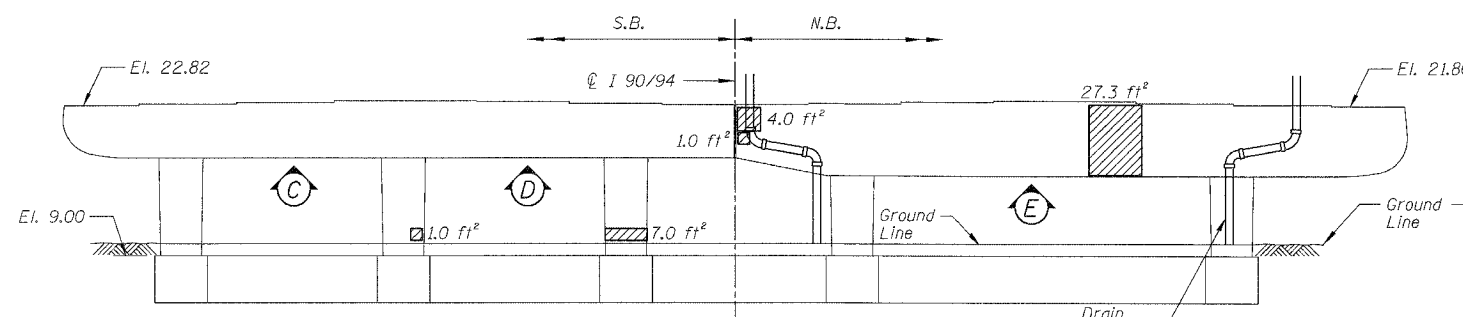
**PIER 16 - NORTH ELEVATION**  
(Looking South)



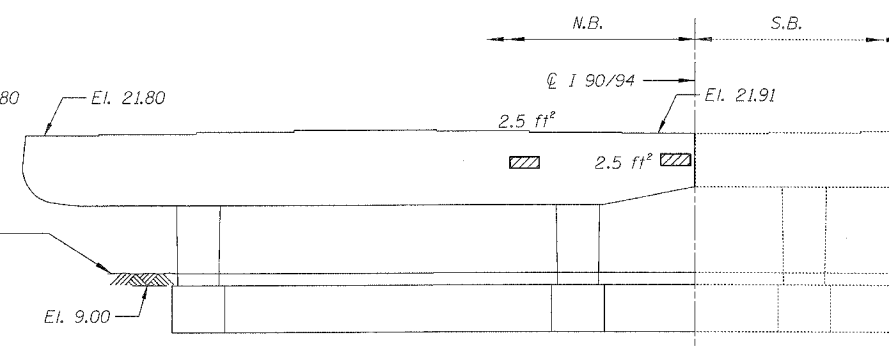
**PIER 17 - SOUTH ELEVATION**  
(Looking North)



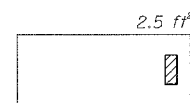
**PIER 17 - NORTH ELEVATION**  
(Looking South)



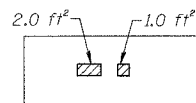
**PIER 18 - SOUTH ELEVATION**  
(Looking North)



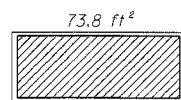
**PIER 18 - NORTH ELEVATION**  
(Looking South)



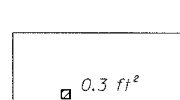
**PIER 16 - VIEW A**  
Looking up at bottom of cap



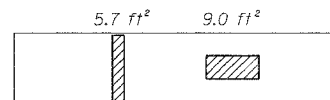
**PIER 16 - VIEW B**  
Looking up at bottom of cap



**PIER 18 - VIEW C**  
Looking up at bottom of cap



**PIER 18 - VIEW D**  
Looking up at bottom of cap



**PIER 18 - VIEW E**  
Looking up at bottom of cap

**BILL OF MATERIAL**

ITEM	UNIT	QUANTITY
Structural Repair of Concrete (Depth equal to or less than 5")	SO. FT.	203.9

REVISIONS	
NAME	DATE

ILLINOIS DEPARTMENT OF TRANSPORTATION  
F.A.I. 94/90 (DAN RYAN EXPRESSWAY)  
DAN RYAN ELEVATED BRIDGE  
BEARING REPLACEMENT & STEEL REPAIR  
CONCRETE PIER REPAIRS  
SN 016-1112, PIERS 16,17,18  
SCALE: NTS  
DATE: 5/18/2007  
DRAWN BY: LAM  
CHECKED BY: BLU

BOWMAN, BARRETT & ASSOCIATES INC.  
CONSULTING ENGINEERS  
Chicago, Illinois  
312.228.0100  
www.bbancinc.com

For Notes and Legend See Sheet 6

4:59:35 PM 5/24/2007