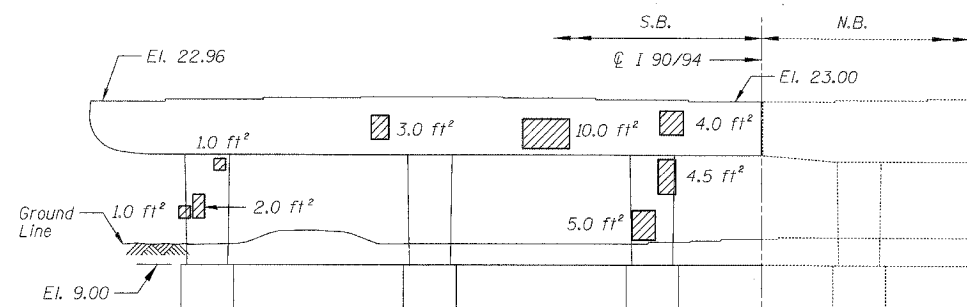
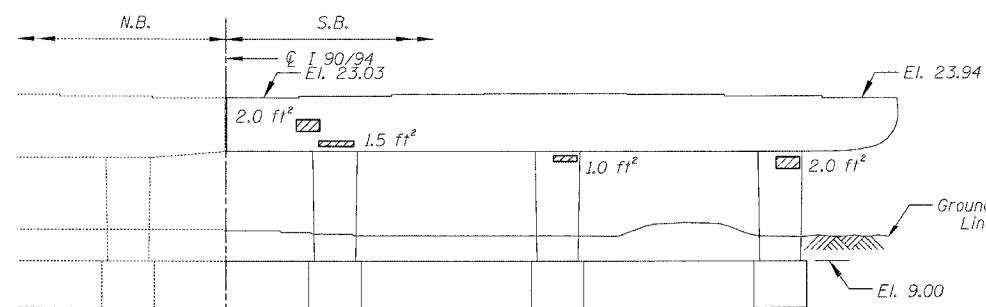


F.A.I.	SECTION	COUNTY	TOTAL SHEETS	SHEET NO.
94/90	2005-086 I	COOK	228	71
STA.	TO STA.			
FED. ROAD DIST. NO.	ILLINOIS	FED. AID PROJECT		
60B07				



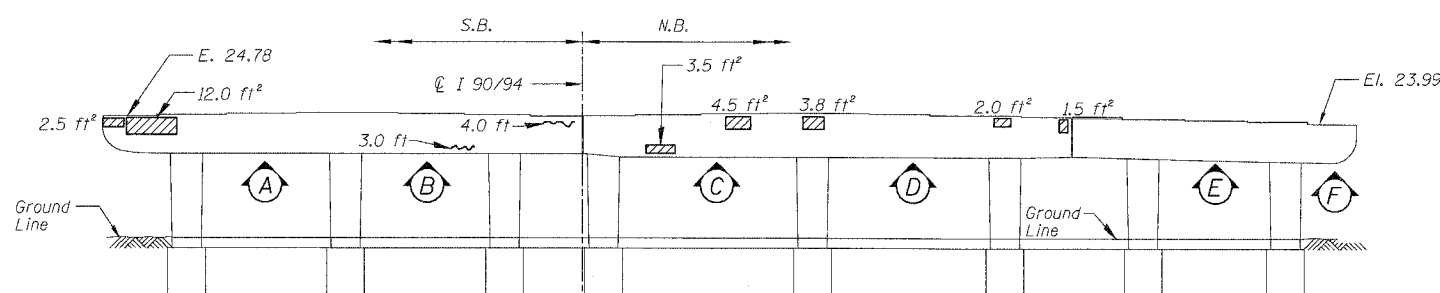
PIER 19 - SOUTH ELEVATION
(Looking North)



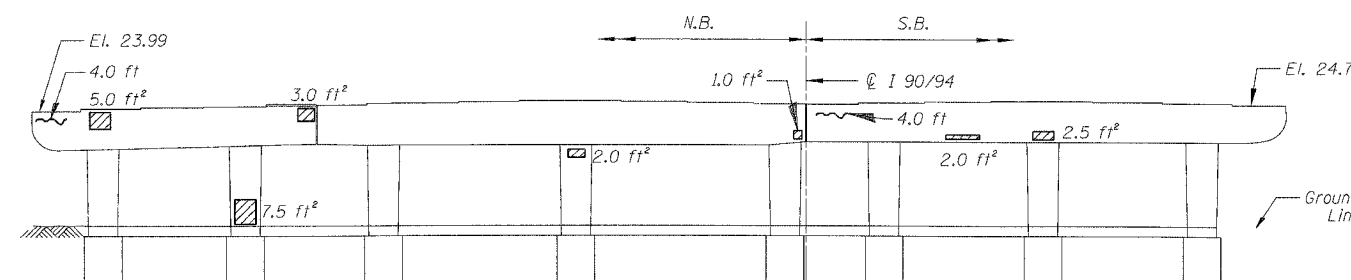
PIER 19 - NORTH ELEVATION
(Looking South)

BILL OF MATERIAL

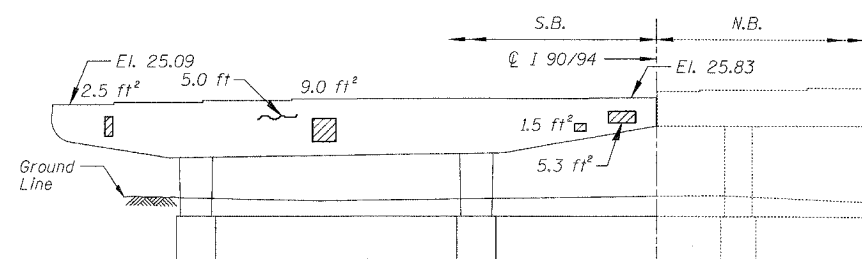
ITEM	UNIT	QUANTITY
Structural Repair of Concrete (Depth equal to or less than 5")	SO. FT.	281.4
Epoxy Crack Injection	FOOT	35.5



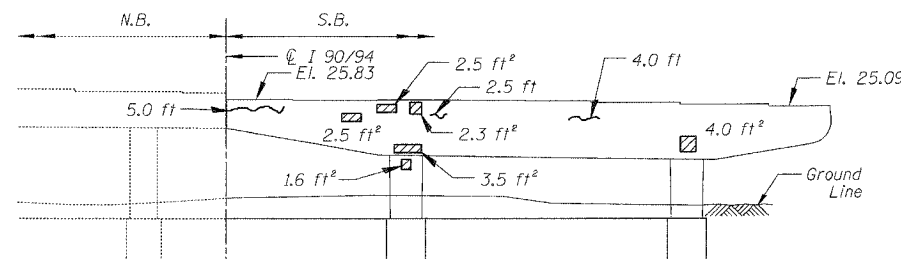
PIER 20 - SOUTH ELEVATION
(Looking North)



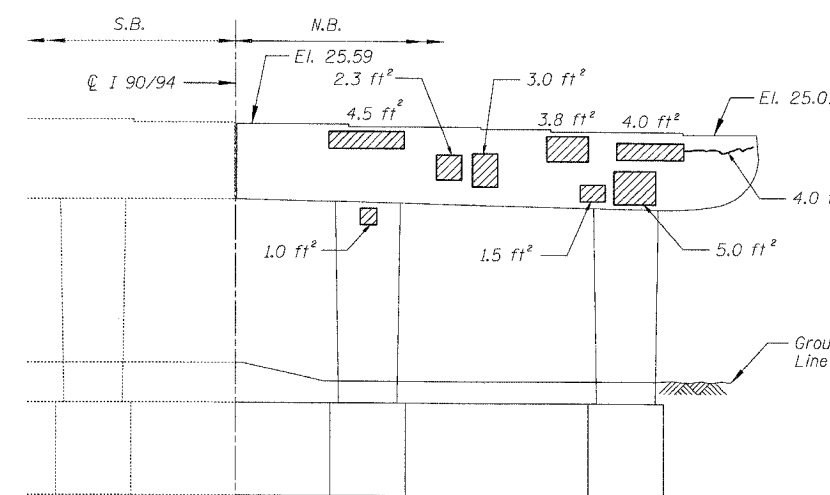
PIER 20 - NORTH ELEVATION
(Looking South)



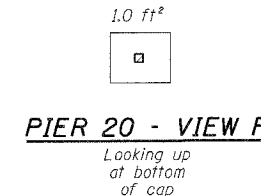
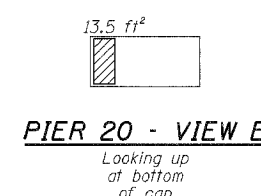
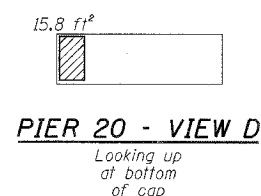
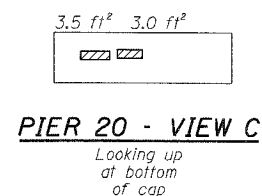
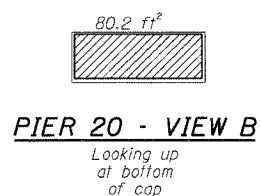
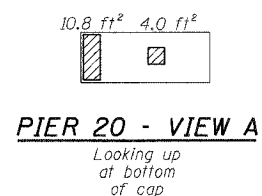
PIER 22 - SOUTH ELEVATION
(Looking North)



PIER 22 - NORTH ELEVATION
(Looking South)



PIER 21 - SOUTH ELEVATION
(Looking North)



BOWMAN, BARRETT & ASSOCIATES INC.
CONSULTING ENGINEERS
Chicago, Illinois
312.228.0100
www.bbainc.com

For Notes and Legend See Sheet 6

REVISIONS	
NAME	DATE

ILLINOIS DEPARTMENT OF TRANSPORTATION
F.A.I. 94/90 (DAN RYAN EXPRESSWAY)
DAN RYAN ELEVATED BRIDGE
BEARING REPLACEMENT & STEEL REPAIR
CONCRETE PIER REPAIRS
SN 016-1112, PIERS 19-22

SCALE: NTS
DATE: 5/18/2007

DRAWN BY: LAM
CHECKED BY: BLU

4-555356 FM 5/24/2007