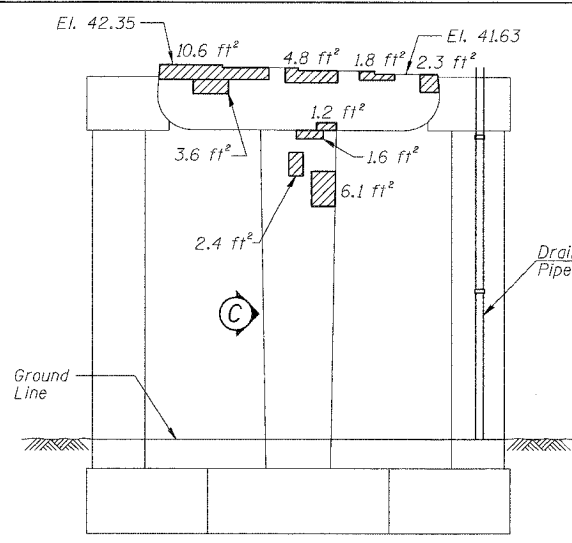
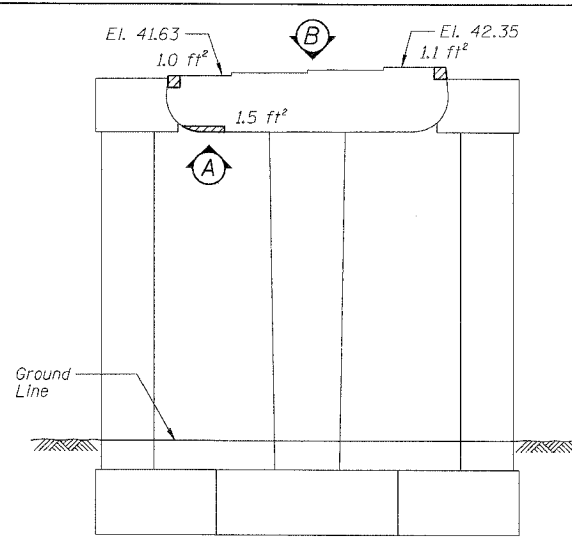


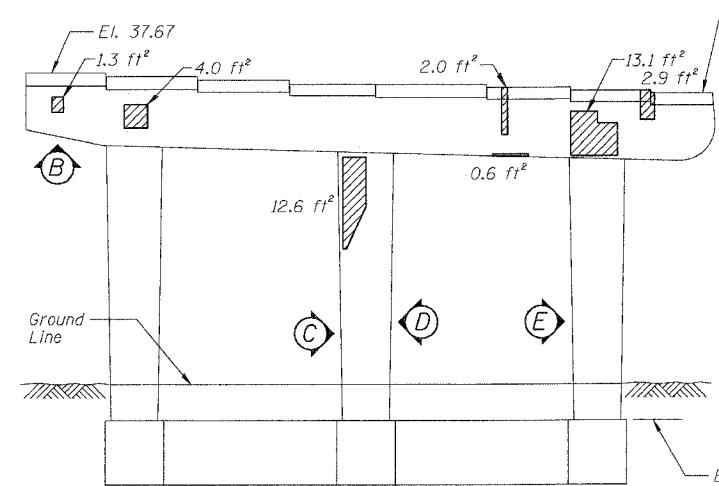
F.A.I.	SECTION	COUNTY	TOTAL SHEETS	SHEET NO.
94/90	2005-086 I	COOK	228	76
STA.	TO STA.			
FED. ROAD DIST. NO.	ILLINOIS	FED. AID PROJECT		
60B07	El. 37.67			



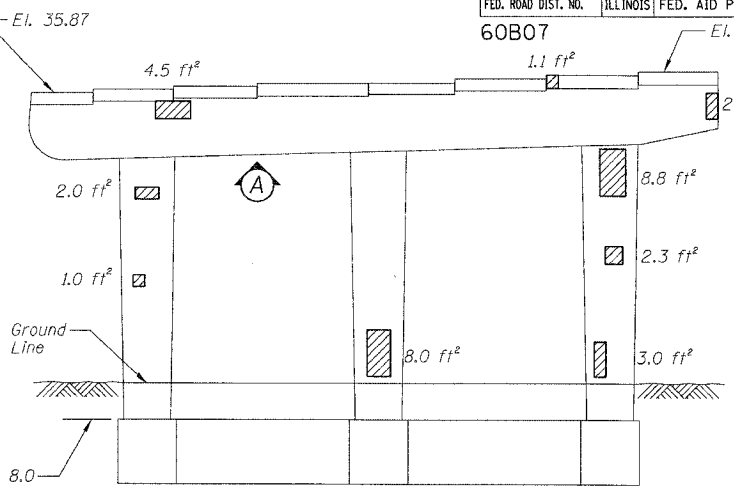
**PIER D-7 - SOUTH ELEVATION**  
(Looking North)



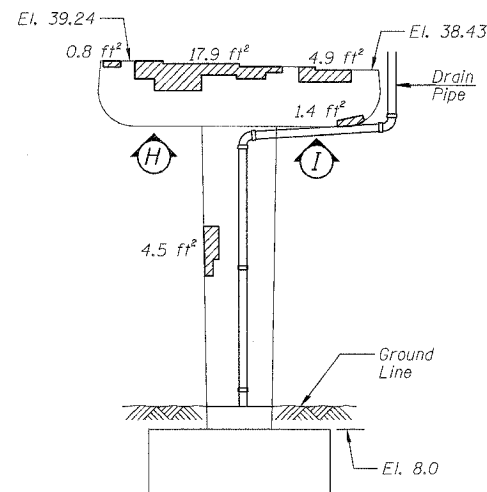
**PIER D-7 - NORTH ELEVATION**  
(Looking South)



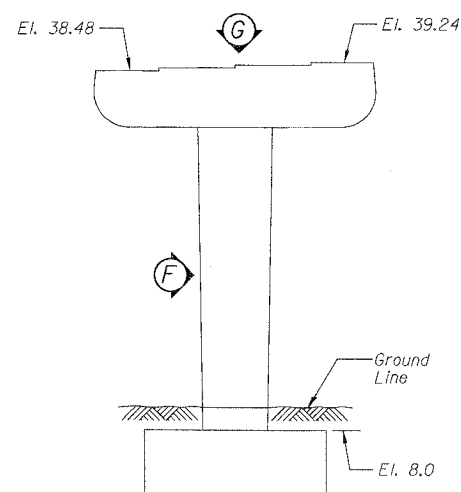
**PIER D-9 - SOUTH ELEVATION**  
(Looking North)



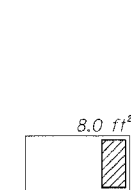
**PIER D-9 - NORTH ELEVATION**  
(Looking South)



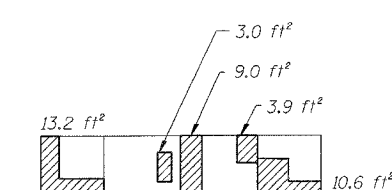
**PIER D-8 - SOUTH ELEVATION**  
(Looking North)



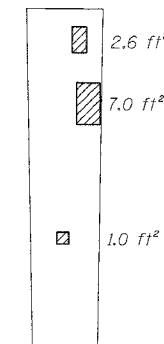
**PIER D-8 - NORTH ELEVATION**  
(Looking South)



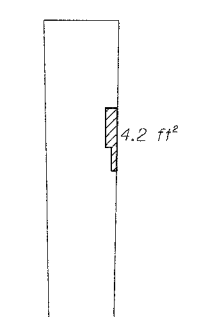
**PIER D-7 - VIEW A**  
Looking up at bottom of cap



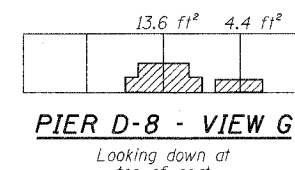
**PIER D-7 - VIEW B**  
Looking down at top of seat



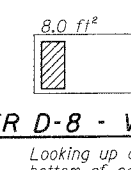
**PIER D-7 - VIEW C**  
Looking East at side of column



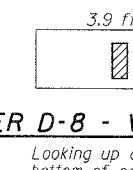
**PIER D-8 - VIEW F**  
Looking West at side of column



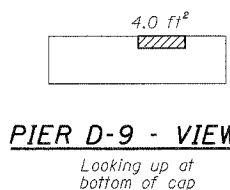
**PIER D-8 - VIEW G**  
Looking down at top of seat



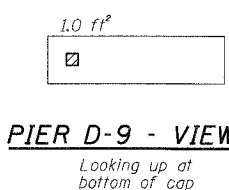
**PIER D-8 - VIEW H**  
Looking up at bottom of cap



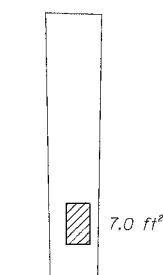
**PIER D-8 - VIEW I**  
Looking up at bottom of cap



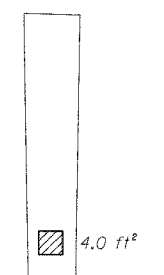
**PIER D-9 - VIEW A**  
Looking up at bottom of cap



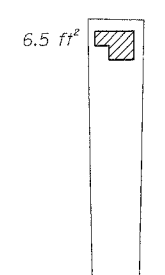
**PIER D-9 - VIEW B**  
Looking up at bottom of cap



**PIER D-9 - VIEW C**  
Looking East at side of column



**PIER D-9 - VIEW D**  
Looking West at side of column



**PIER D-9 - VIEW E**  
Looking East at side of column

**BILL OF MATERIAL**

ITEM	UNIT	QUANTITY
Structural Repair of Concrete (Depth equal to or less than 5")	SQ. FT.	251.8

REVISIONS	NAME	DATE

ILLINOIS DEPARTMENT OF TRANSPORTATION  
F.A.I. 94/90 (DAN RYAN EXPRESSWAY)  
DAN RYAN ELEVATED BRIDGE  
BEARING REPLACEMENT & STEEL REPAIR  
CONCRETE PIER REPAIRS  
SN 016-1113, PIERS D-7,D-8,D-9  
SCALE: NTS  
DATE: 5/18/2007  
DRAWN BY: LAM  
CHECKED BY: BLU

BOWMAN, BARRETT & ASSOCIATES INC.  
CONSULTING ENGINEERS  
Chicago, Illinois  
312.228.0100  
www.bbainc.com

For Notes and Legend See Sheet 6

45543 FM 5/24/2007