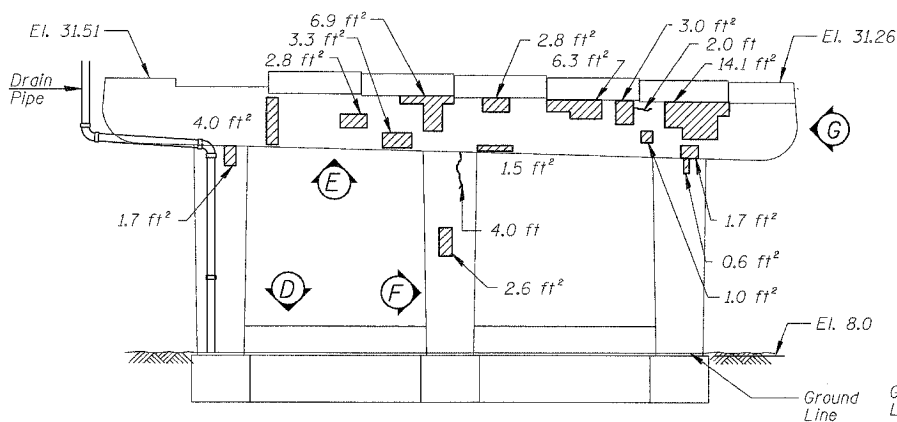
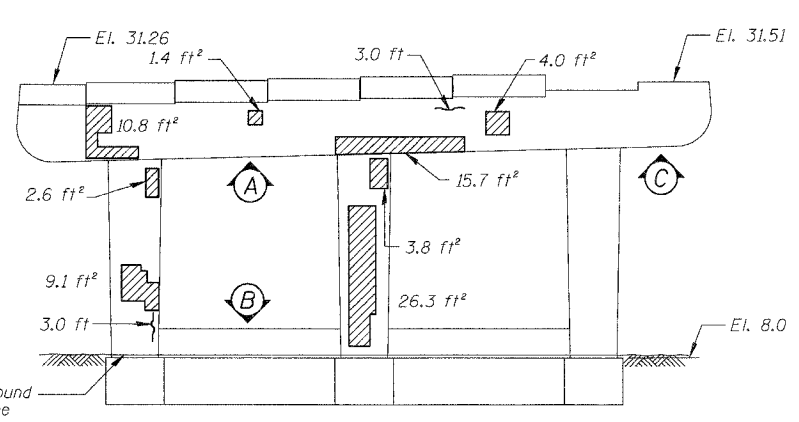


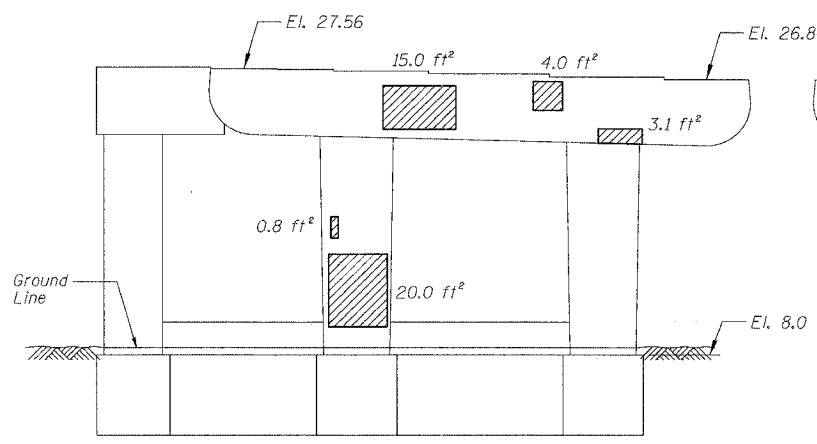
F.A.I.	SECTION	COUNTY	TOTAL SHEETS	SHEET NO.
94/90	2005-086 I	COOK	228	77
STA.		TO STA.		
FED. ROAD DIST. NO.		ILLINOIS	FED. AID PROJECT	



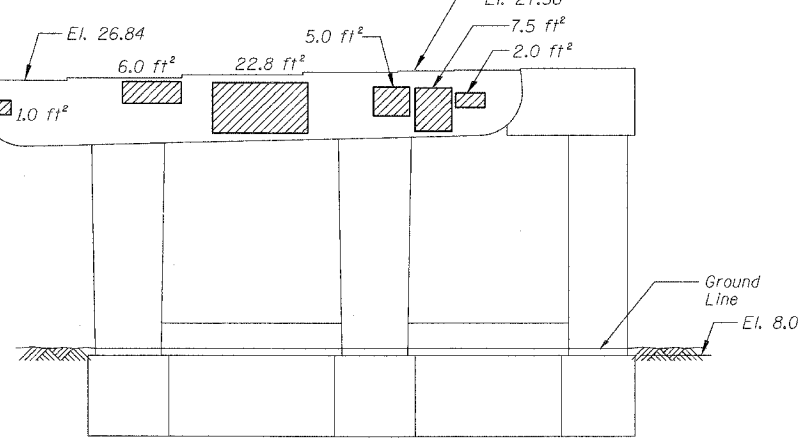
PIER D-10 - SOUTH ELEVATION
(Looking North)



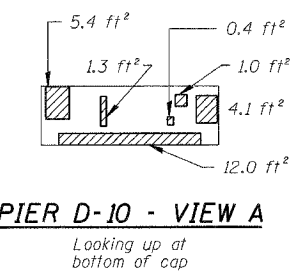
PIER D-10 - NORTH ELEVATION
(Looking South)



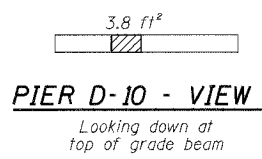
PIER D-11 - SOUTH ELEVATION
(Looking North)



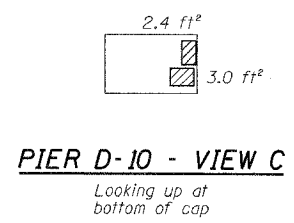
PIER D-11 - NORTH ELEVATION
(Looking South)



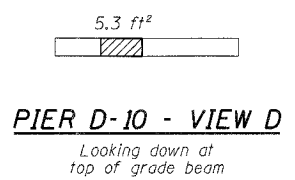
PIER D-10 - VIEW A
Looking up at bottom of cap



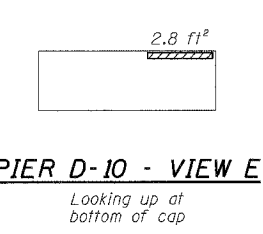
PIER D-10 - VIEW B
Looking down at top of grade beam



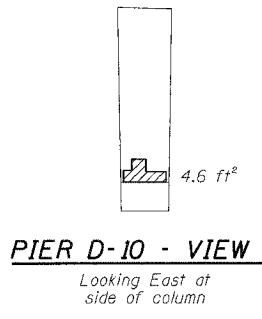
PIER D-10 - VIEW C
Looking up at bottom of cap



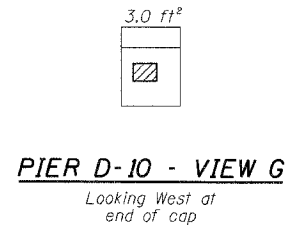
PIER D-10 - VIEW D
Looking down at top of grade beam



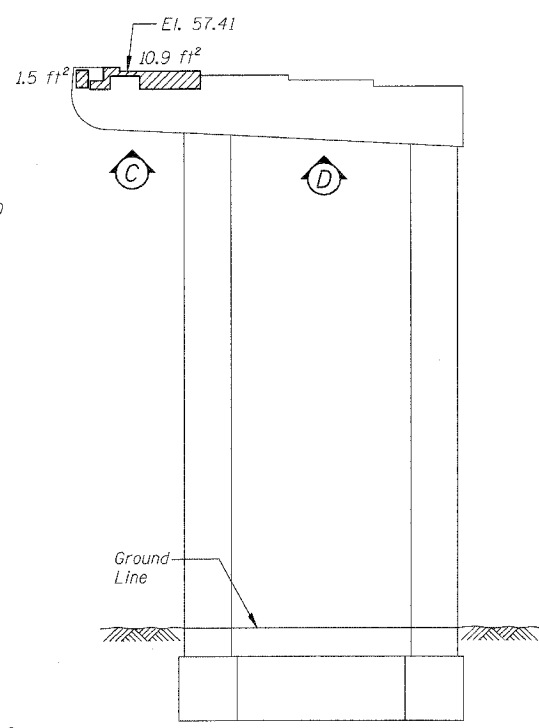
PIER D-10 - VIEW E
Looking up at bottom of cap



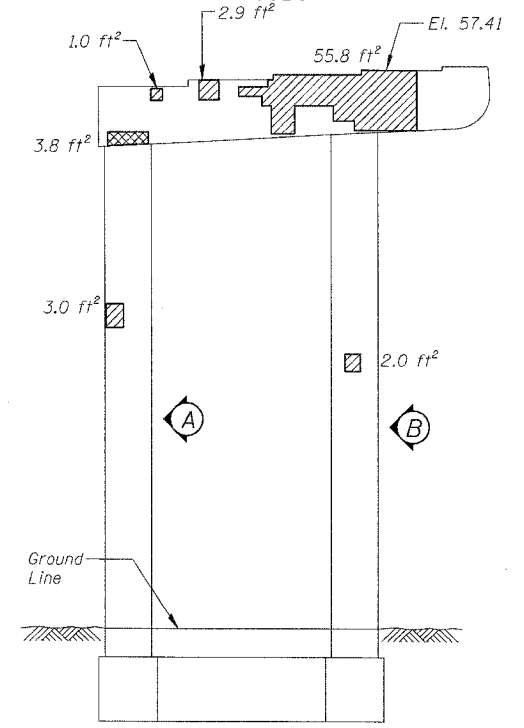
PIER D-10 - VIEW F
Looking East at side of column



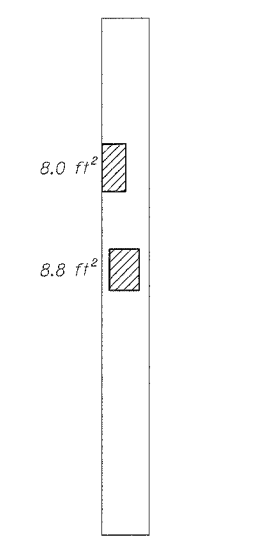
PIER D-10 - VIEW G
Looking West at end of cap



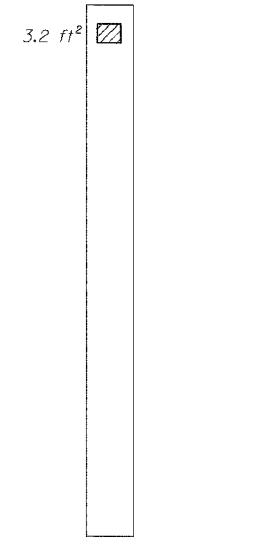
PIER C-2 - SOUTH ELEVATION
(Looking North)



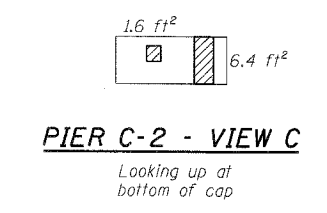
PIER C-2 - NORTH ELEVATION
(Looking South)



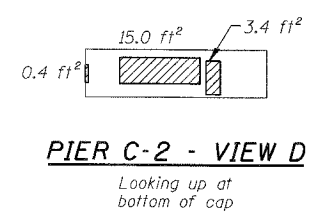
PIER C-2 - VIEW A
Looking East at side of column



PIER C-2 - VIEW B
Looking East at side of column



PIER C-2 - VIEW C
Looking up at bottom of cap



PIER C-2 - VIEW D
Looking up at bottom of cap

BILL OF MATERIAL

ITEM	UNIT	QUANTITY
Structural Repair of Concrete (Depth equal to or less than 5")	SQ. FT.	386.2
Structural Repair of Concrete (Depth greater than 5")	SQ. FT.	3.8
Epoxy Crack Injection	FOOT	12.0

REVISIONS	
NAME	DATE

ILLINOIS DEPARTMENT OF TRANSPORTATION
 F.A.I. 94/90 (DAN RYAN EXPRESSWAY)
 DAN RYAN ELEVATED BRIDGE
 BEARING REPLACEMENT & STEEL REPAIR
 CONCRETE PIER REPAIRS
 SN 016-1113, PIERS D-10,D-11,C-2
 SCALE: NTS
 DATE: 5/18/2007
 DRAWN BY: LAM
 CHECKED BY: BLU

BOWMAN, BARRETT & ASSOCIATES INC.
 CONSULTING ENGINEERS
 Chicago, Illinois
 312.228.0100
 www.bbainc.com

For Notes and Legend See Sheet 6

A:\960\BRIDGE\21A\SHEET\9602_21A_016-1113-PR02.dwg 4/24/2007 4:55:44 PM