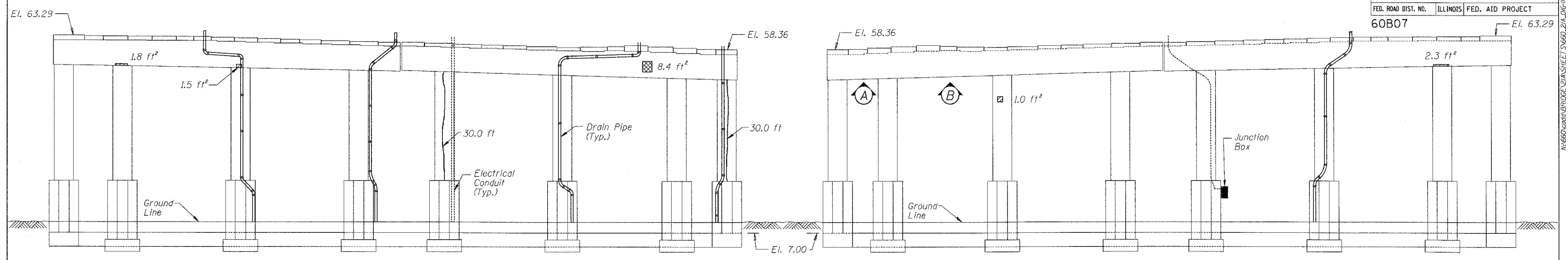
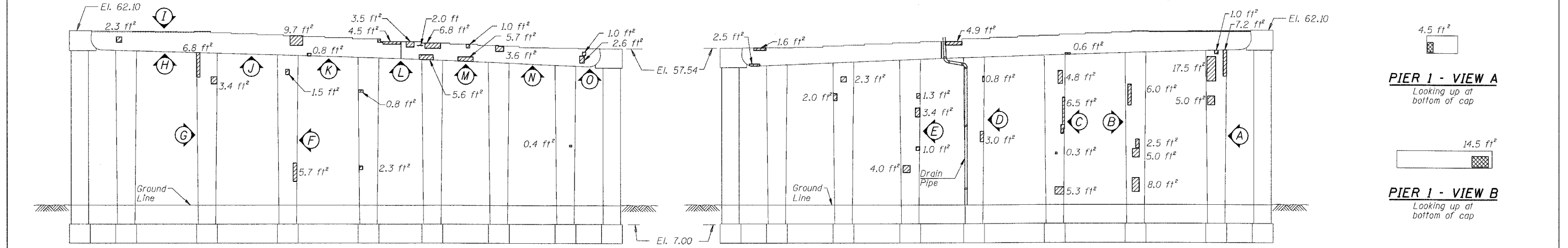


F.A.I.	SECTION	COUNTY	TOTAL SHEETS	SHEET NO.
94/90	2005-086 I	COOK	228	79
STA.	TO STA.			
FED. ROAD DIST. NO.	ILLINOIS	FED. AID PROJECT		
60B07				



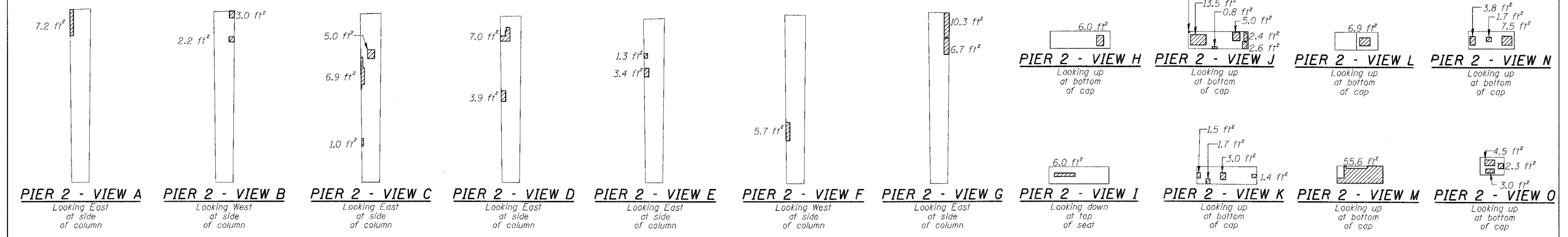
**PIER 1 - SOUTH ELEVATION**  
(Looking North)

**PIER 1 - NORTH ELEVATION**  
(Looking South)



**PIER 2 - SOUTH ELEVATION**  
(Looking North)

**PIER 2 - NORTH ELEVATION**  
(Looking South)



**PIER 2 - VIEW A** Looking East of side of column  
**PIER 2 - VIEW B** Looking West of side of column  
**PIER 2 - VIEW C** Looking East of side of column  
**PIER 2 - VIEW D** Looking East of side of column  
**PIER 2 - VIEW E** Looking East of side of column  
**PIER 2 - VIEW F** Looking West of side of column  
**PIER 2 - VIEW G** Looking East of side of column  
**PIER 2 - VIEW I** Looking down at top of seat  
**PIER 2 - VIEW K** Looking up at bottom of cap  
**PIER 2 - VIEW M** Looking up at bottom of cap  
**PIER 2 - VIEW O** Looking up at bottom of cap

**BILL OF MATERIAL**

ITEM	UNIT	QUANTITY
Structural Repair of Concrete (Depth equal to or less than 5")	SQ. FT.	364.8
Structural Repair of Concrete (Depth greater than 5")	SQ. FT.	27.4
Epoxy Crack Injection	FOOT	62.0

REVISIONS	
NAME	DATE

ILLINOIS DEPARTMENT OF TRANSPORTATION  
 F.A.I. 94/90 (DAN RYAN EXPRESSWAY)  
 DAN RYAN ELEVATED BRIDGE  
 BEARING REPLACEMENT & STEEL REPAIR  
 CONCRETE PIER REPAIRS  
 SN 016-1113, PIERS 1&2  
 SCALE: NTS  
 DATE: 5/18/2007  
 DRAWN BY: LAM  
 CHECKED BY: BLU

BOWMAN, BARRETT & ASSOCIATES INC  
 CONSULTING ENGINEERS  
 Chicago, Illinois  
 312.228.0100  
 www.bbainc.com

For Notes and Legend See Sheet 6

4:55:47 PM  
 5/24/2007