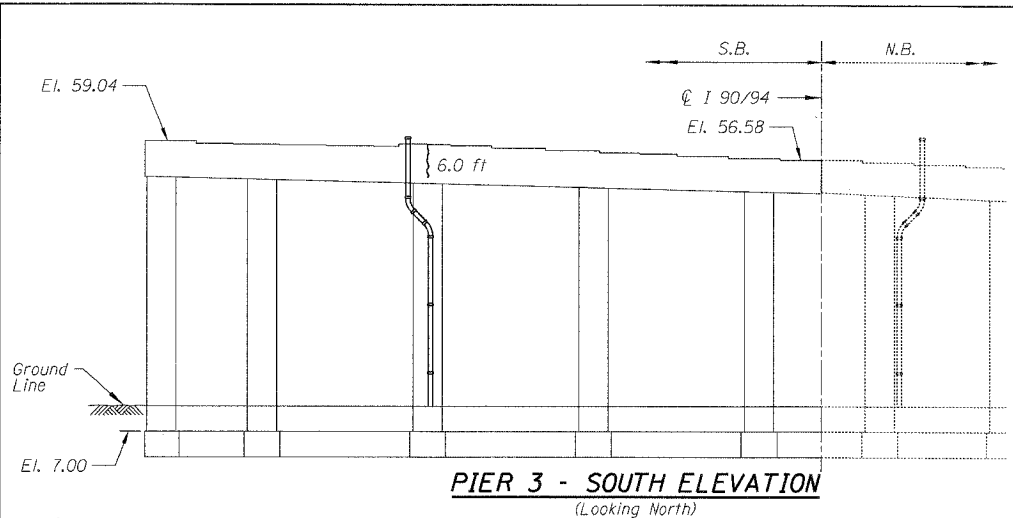
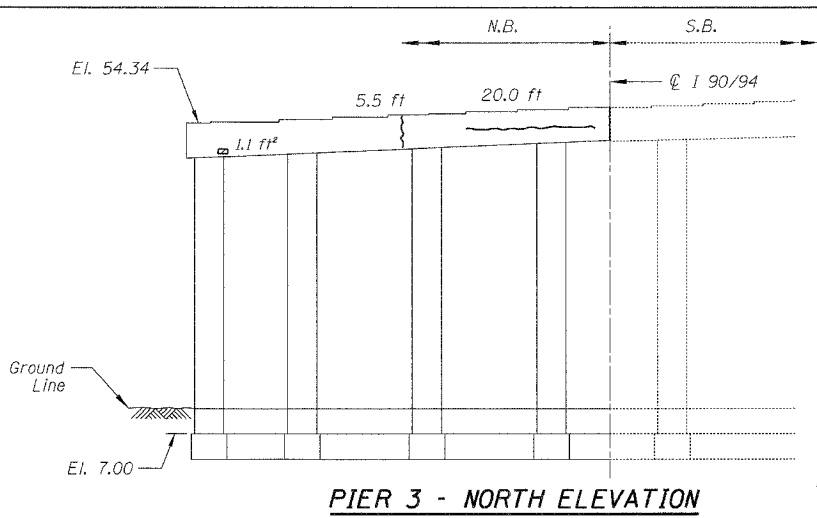


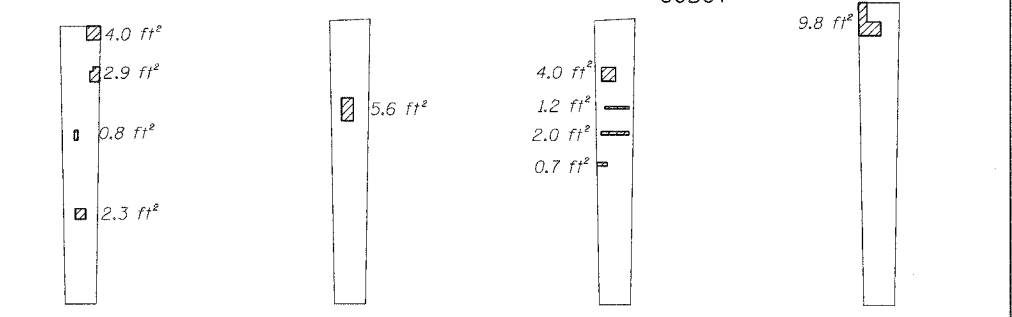
F.A.I.	SECTION	COUNTY	TOTAL SHEETS	SHEET NO.
94/90	2005-086 I	COOK	228	80
STA.		TO STA.		
FED. ROAD DIST. NO.		ILLINOIS FED. AID PROJECT		
60B07		9.8 ft <sup>2</sup>		



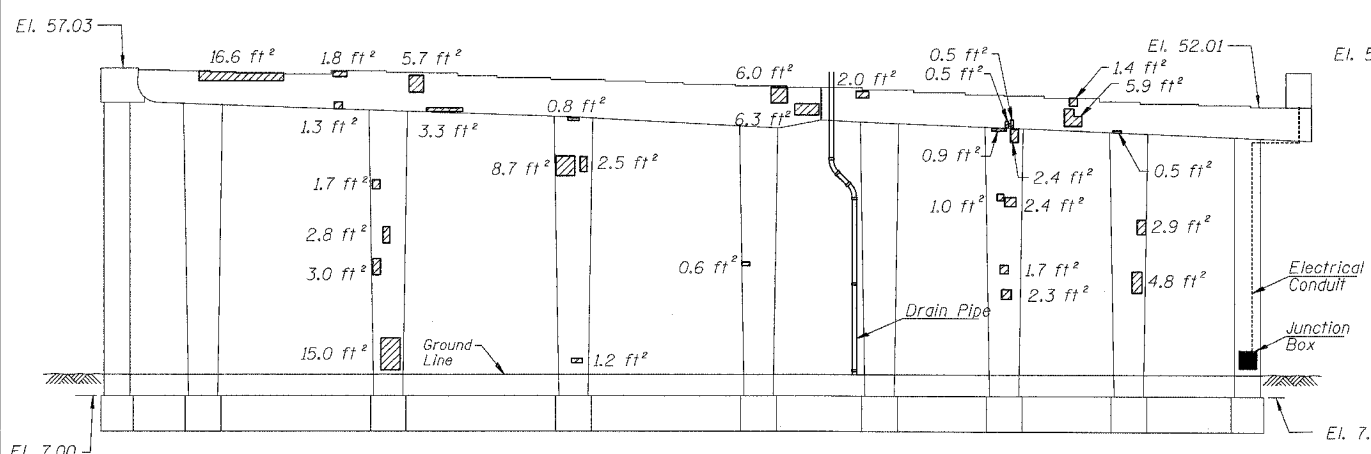
**PIER 3 - SOUTH ELEVATION**  
(Looking North)



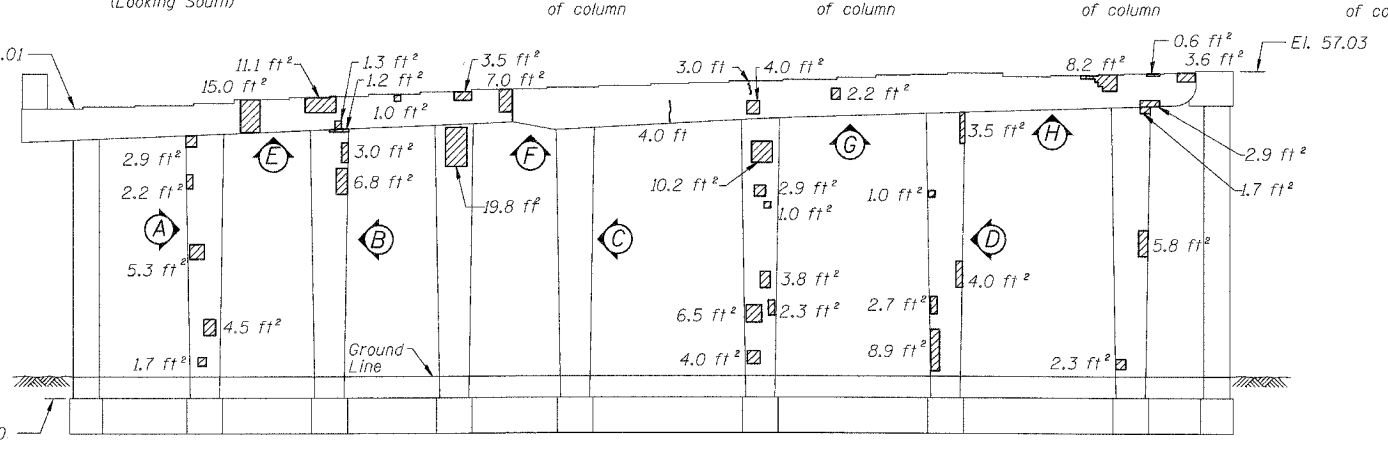
**PIER 3 - NORTH ELEVATION**  
(Looking South)



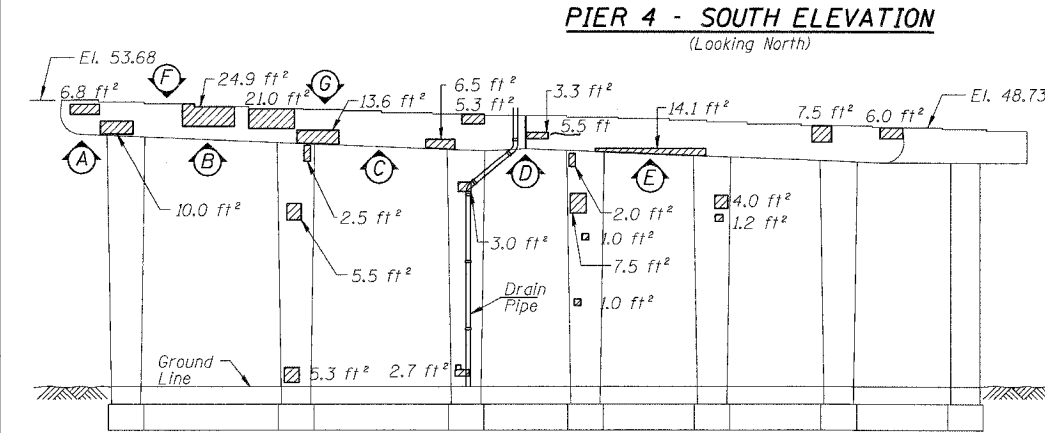
**PIER 4 - VIEW A** Looking West at side of column  
**PIER 4 - VIEW B** Looking East at side of column  
**PIER 4 - VIEW C** Looking East at side of column  
**PIER 4 - VIEW D** Looking East at side of column



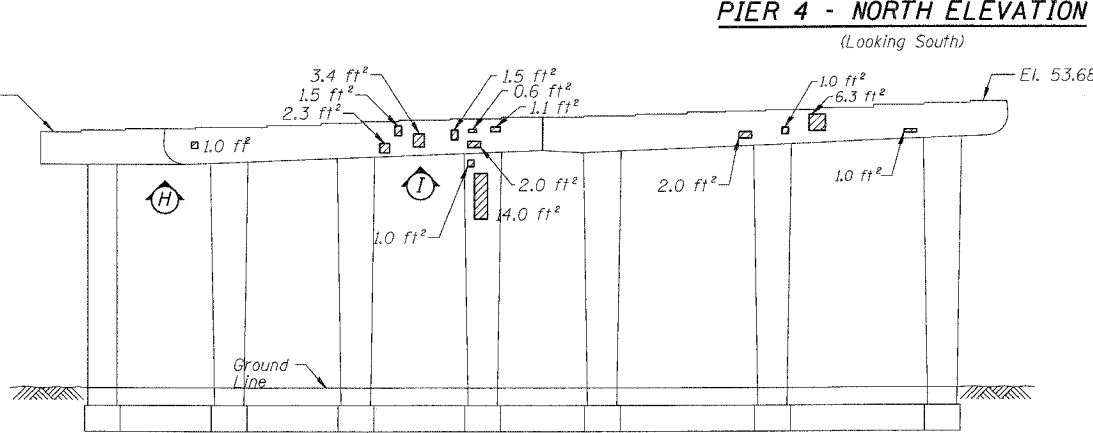
**PIER 4 - SOUTH ELEVATION**  
(Looking North)



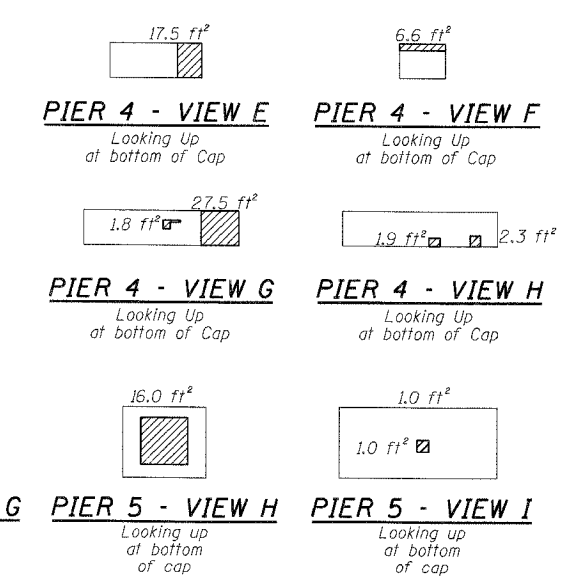
**PIER 4 - NORTH ELEVATION**  
(Looking South)



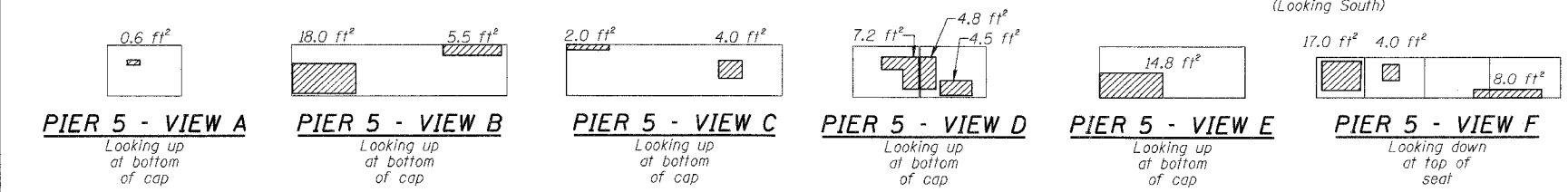
**PIER 5 - SOUTH ELEVATION**  
(Looking North)



**PIER 5 - NORTH ELEVATION**  
(Looking South)



**PIER 4 - VIEW E** Looking Up at bottom of Cap  
**PIER 4 - VIEW F** Looking Up at bottom of Cap  
**PIER 4 - VIEW G** Looking Up at bottom of Cap  
**PIER 4 - VIEW H** Looking Up at bottom of Cap  
**PIER 5 - VIEW G** Looking down at top of seal  
**PIER 5 - VIEW H** Looking up at bottom of cap  
**PIER 5 - VIEW I** Looking up at bottom of cap



**PIER 5 - VIEW A** Looking up at bottom of cap  
**PIER 5 - VIEW B** Looking up at bottom of cap  
**PIER 5 - VIEW C** Looking up at bottom of cap  
**PIER 5 - VIEW D** Looking up at bottom of cap  
**PIER 5 - VIEW E** Looking up at bottom of cap  
**PIER 5 - VIEW F** Looking down at top of seal

**BILL OF MATERIAL**

ITEM	UNIT	QUANTITY
Structural Repair of Concrete (Depth equal to or less than 5")	SQ. FT.	671.0
Epoxy Crack Injection	FOOT	44.0

REVISIONS		ILLINOIS DEPARTMENT OF TRANSPORTATION F.A.I. 94/90 (DAN RYAN EXPRESSWAY) DAN RYAN ELEVATED BRIDGE BEARING REPLACEMENT & STEEL REPAIR CONCRETE PIER REPAIRS SN 016-1113, PIERS 3,4,5
NAME	DATE	

SCALE: NTS  
DATE: 5/18/2007  
DRAWN BY: LAM  
CHECKED BY: BLU

BOWMAN, BARRETT & ASSOCIATES INC.  
CONSULTING ENGINEERS  
Chicago, Illinois  
312.228.0100  
www.bbainc.com

For Notes and Legend See Sheet 6

N:\6000\BRIDGE\21\ASHEETS\60021A\_016-1113-FR05.dwg 4/25/07 PM 5:24/2007