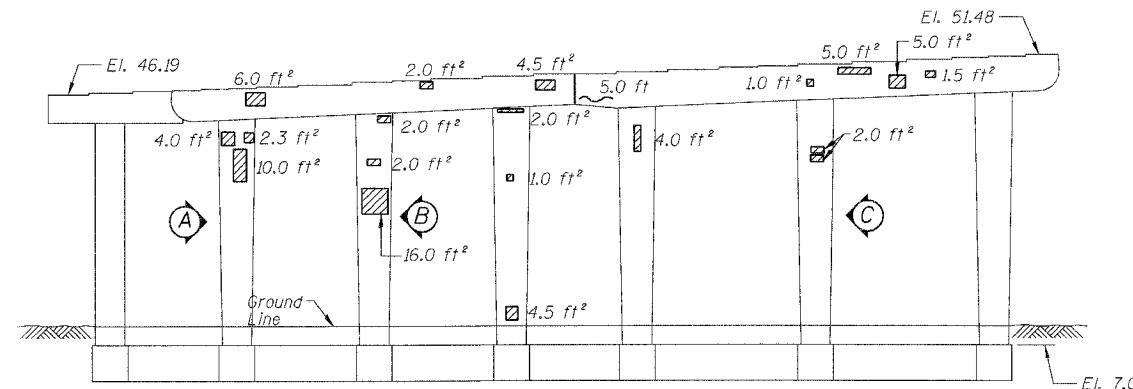
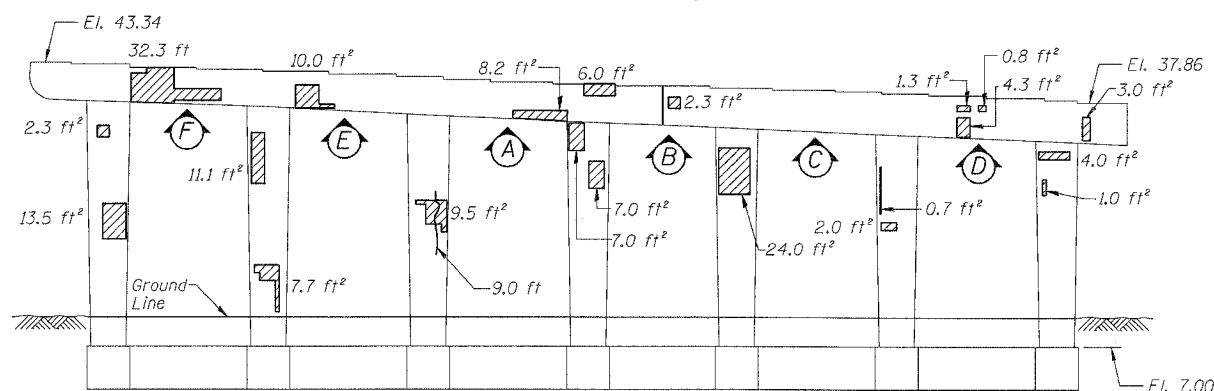


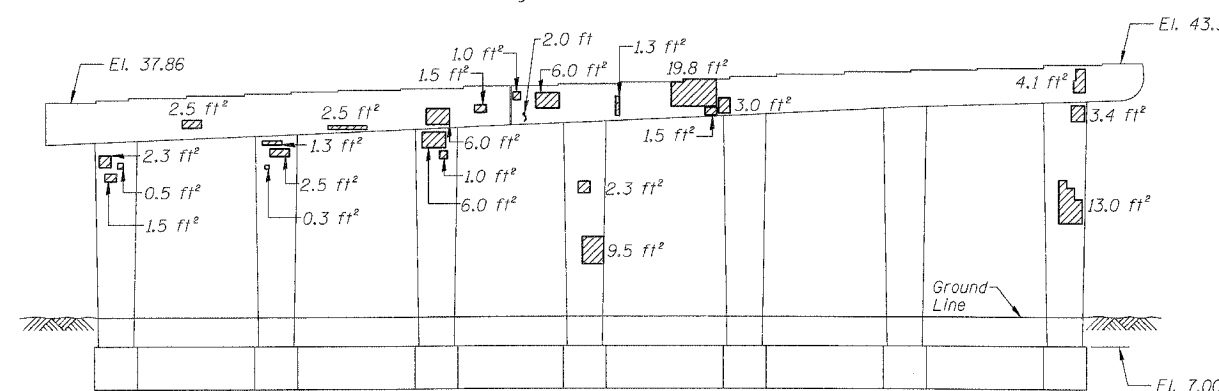
**PIER 6 - SOUTH ELEVATION**  
(Looking North)



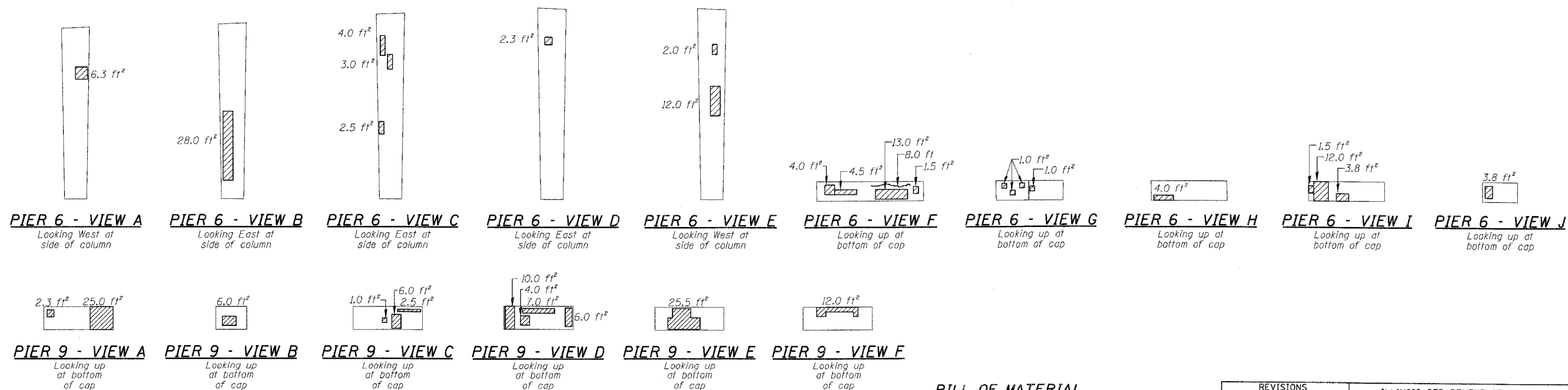
**PIER 6 - NORTH ELEVATION**  
(Looking South)



**PIER 9 - SOUTH ELEVATION**  
(Looking North)



**PIER 9 - NORTH ELEVATION**  
(Looking South)



**BILL OF MATERIAL**

| ITEM   | UNIT    | QUANTITY |
|--|---------|----------|
| Structural Repair of Concrete (Depth equal to or less than 5") | SQ. FT. | 725.8    |
| Structural Repair of Concrete (Depth greater than 5")          | SQ. FT. | 1.0      |
| Epoxy Crack Injection  | FOOT    | 24.0     |

| REVISIONS |      |
|-----------|------|
| NAME      | DATE |
|           |      |
|           |      |
|           |      |
|           |      |
|           |      |
|           |      |
|           |      |
|           |      |
|           |      |

ILLINOIS DEPARTMENT OF TRANSPORTATION  
F.A.I. 94/90 (DAN RYAN EXPRESSWAY)  
DAN RYAN ELEVATED BRIDGE  
BEARING REPLACEMENT & STEEL REPAIR  
CONCRETE PIER REPAIRS  
SN 016-1113, PIERS 6&9

SCALE: NTS  
DATE: 5/18/2007

DRAWN BY: LAM  
CHECKED BY: BLU