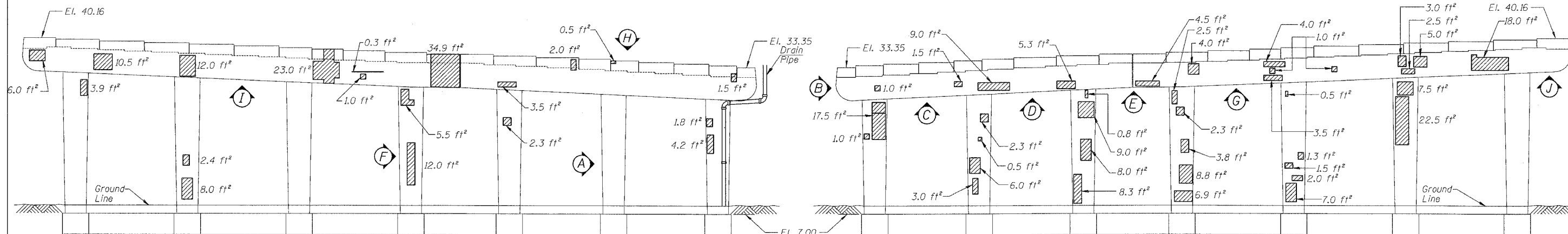
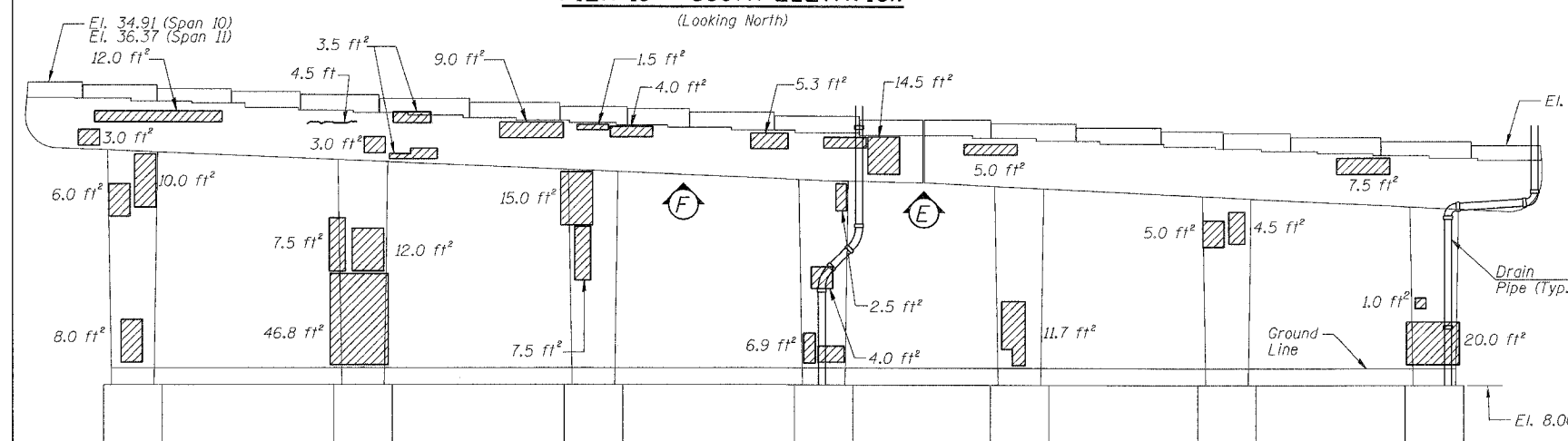


60B07

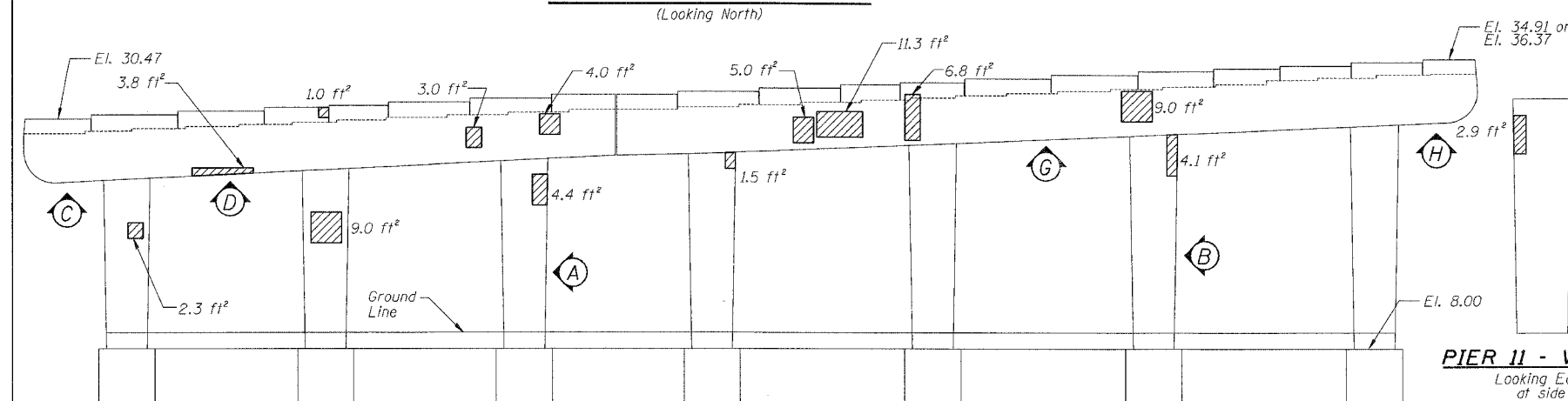


PIER 10 - SOUTH ELEVATION
(Looking North)

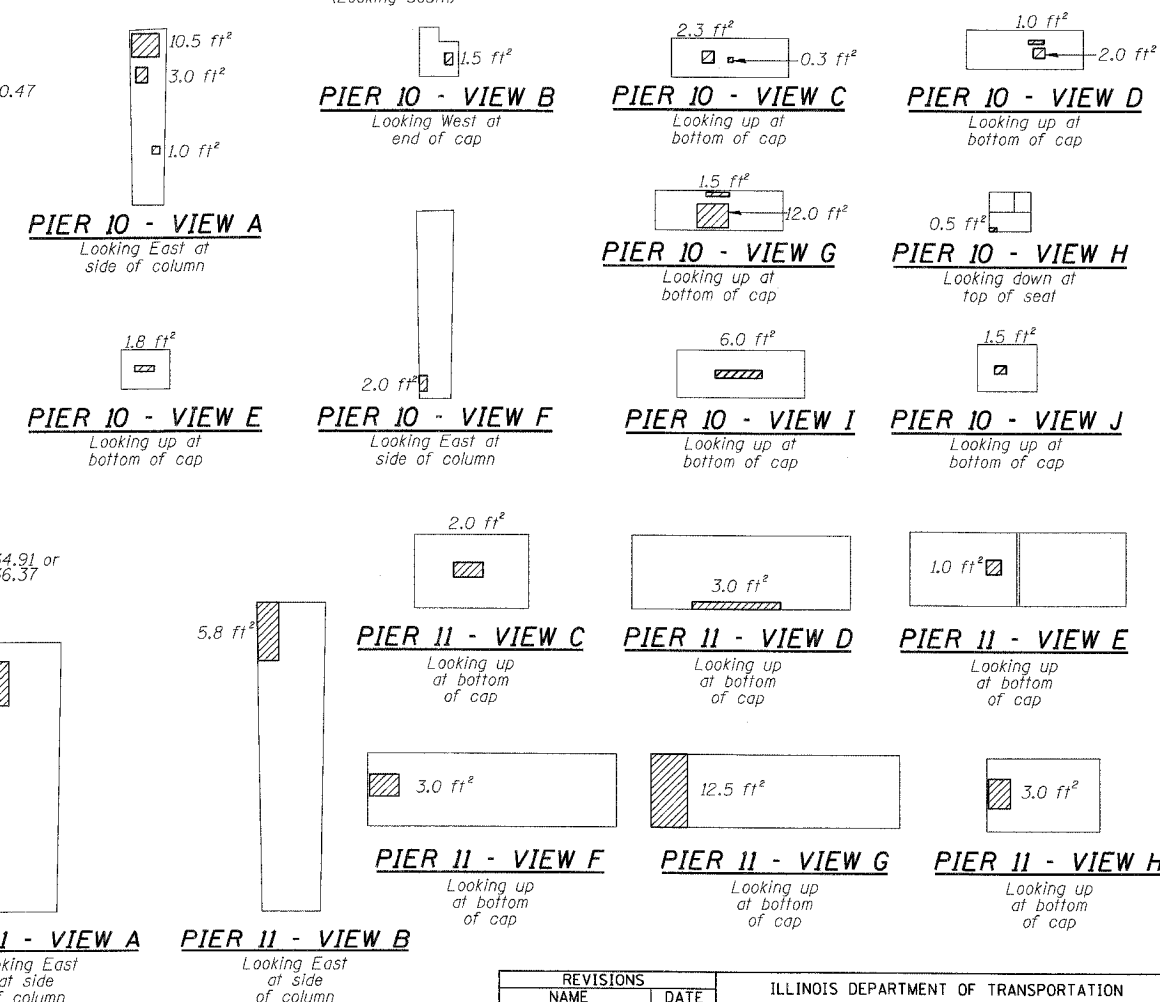
PIER 10 - NORTH ELEVATION
(Looking South)



PIER 11 - SOUTH ELEVATION
(Looking North)



PIER 11 - NORTH ELEVATION
(Looking South)



BILL OF MATERIAL

ITEM	UNIT	QUANTITY
Structural Repair of Concrete (Depth equal to or less than 5")	SQ. FT.	709.8
Epoxy Crack Injection	FOOT	4.5

REVISIONS	
NAME	DATE

ILLINOIS DEPARTMENT OF TRANSPORTATION
 F.A.I. 94/90 (DAN RYAN EXPRESSWAY)
 DAN RYAN ELEVATED BRIDGE
 BEARING REPLACEMENT & STEEL REPAIR
 CONCRETE PIER REPAIRS
 SN 016-1113, PIERS 10&11
 SCALE: NTS
 DATE: 5/18/2007
 DRAWN BY: LAM
 CHECKED BY: BLU

BOWMAN, BARRETT & ASSOCIATES INC.
 CONSULTING ENGINEERS
 Chicago, Illinois
 312.228.0100
 www.bbainc.com

For Notes and Legend See Sheet 6

4:55:51 PM 5/24/2007