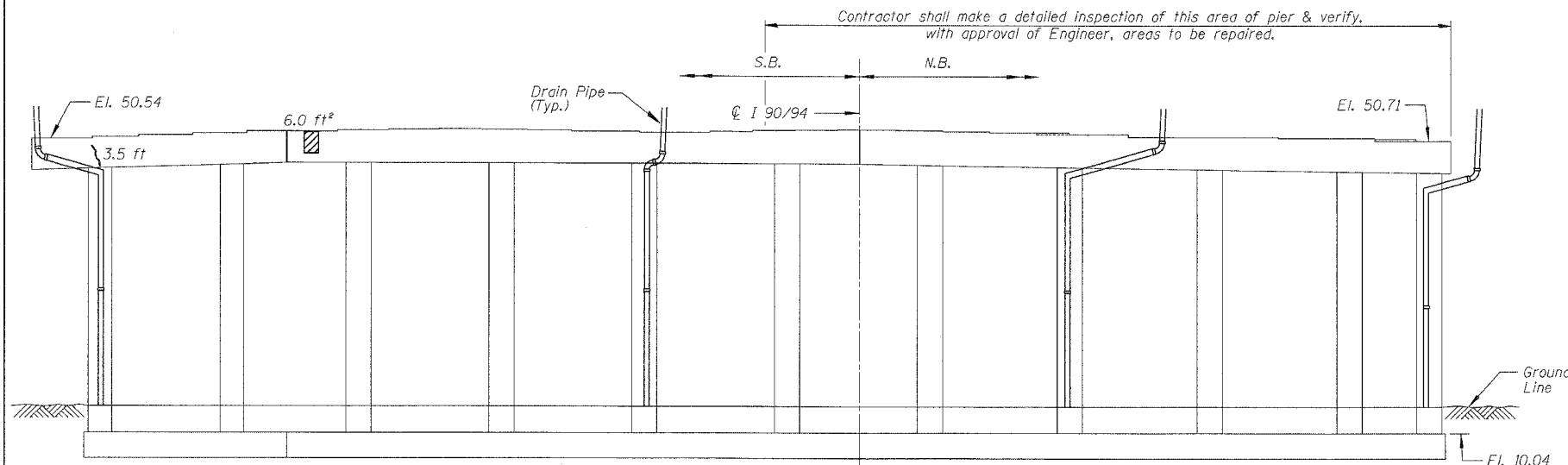
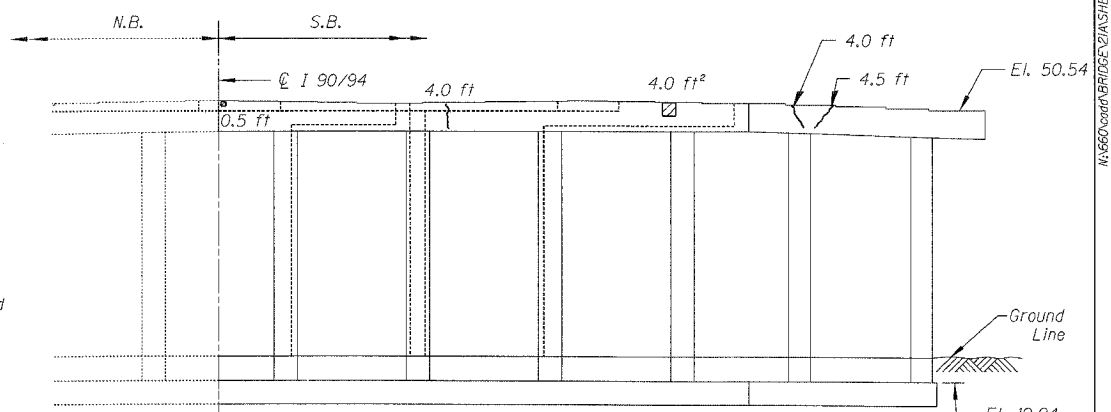


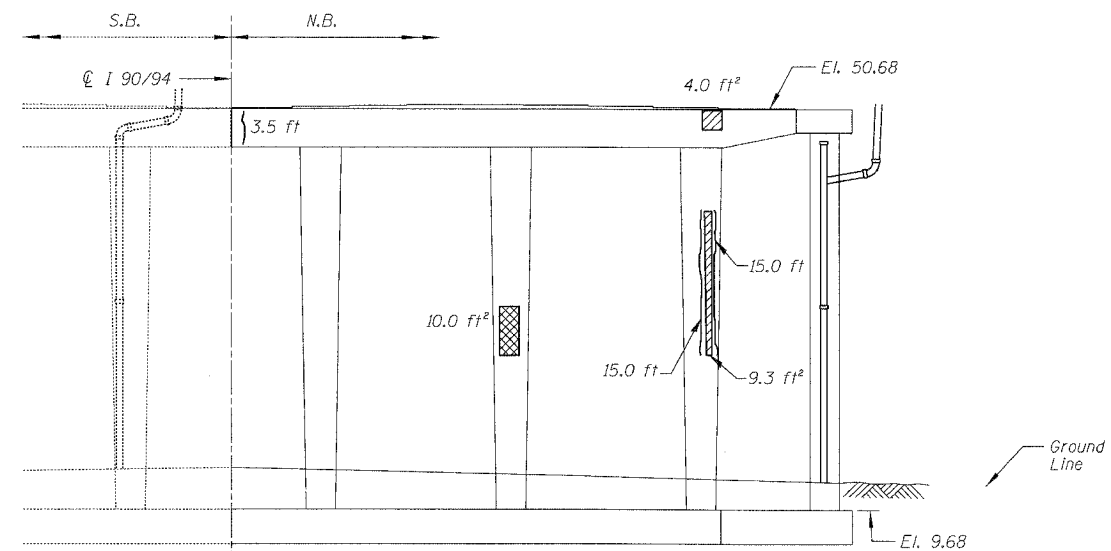
F.A.I.	SECTION	COUNTY	TOTAL SHEETS	SHEET NO.
94/90	2005-086 I	COOK	228	88
STA.		TO STA.		
FED. ROAD DIST. NO.		ILLINOIS	FED. AID PROJECT	
60B07				



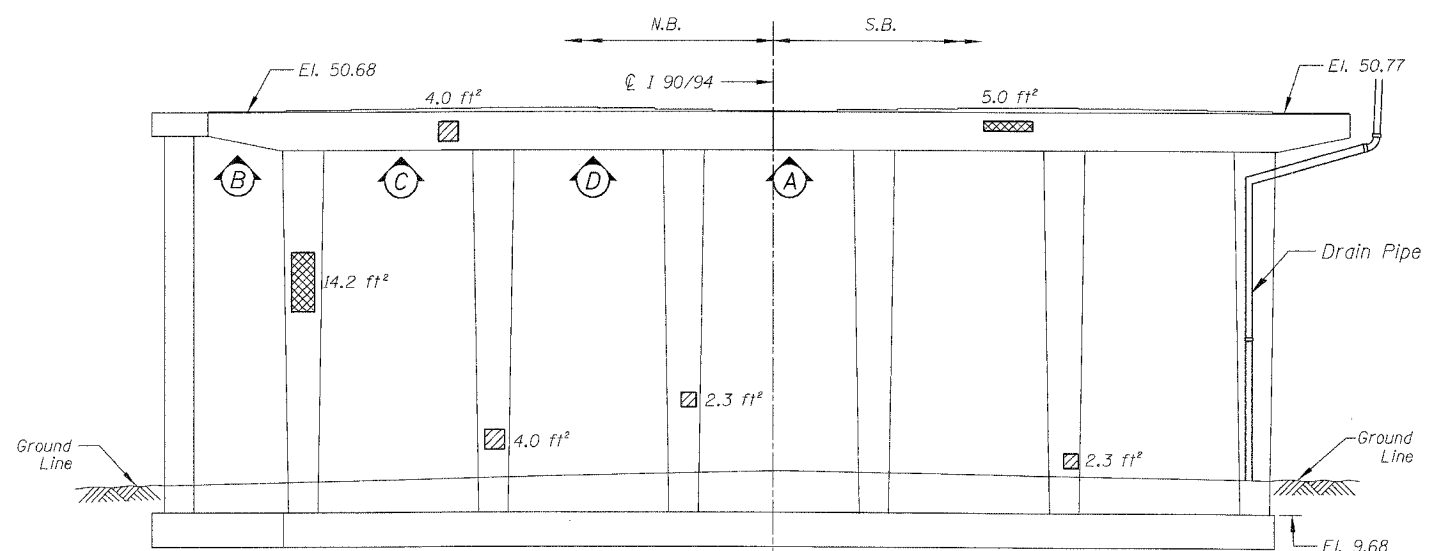
PIER 5 - SOUTH ELEVATION
(Looking North)



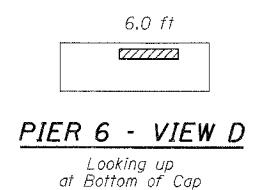
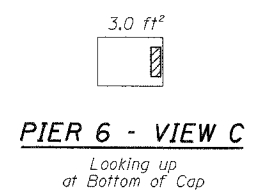
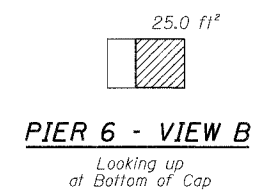
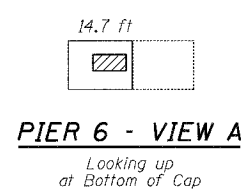
PIER 5 - NORTH ELEVATION
(Looking South)



PIER 6 - SOUTH ELEVATION
(Looking North)



PIER 6 - NORTH ELEVATION
(Looking South)



BILL OF MATERIAL

ITEM	UNIT	QUANTITY
Structural Repair of Concrete (Depth equal to or less than 5")	SQ. FT.	85.1
Structural Repair of Concrete (Depth Greater than 5")	SQ. FT.	29.2
Epoxy Crack Injection	FOOT	49.5

REVISIONS	
NAME	DATE

ILLINOIS DEPARTMENT OF TRANSPORTATION
F.A.I. 94/90 (DAN RYAN EXPRESSWAY)
DAN RYAN ELEVATED BRIDGE
BEARING REPLACEMENT & STEEL REPAIR
CONCRETE PIER REPAIRS
SN 016-1115, PIERS 5&6
SCALE: NTS
DATE: 5/18/2007
DRAWN BY: LAM
CHECKED BY: BLU

BOWMAN, BARRETT & ASSOCIATES INC.
CONSULTING ENGINEERS
Chicago, Illinois
312.228.0100
www.bbainc.com

For Notes and Legend See Sheet 6

5/24/2007 4:59:59 PM