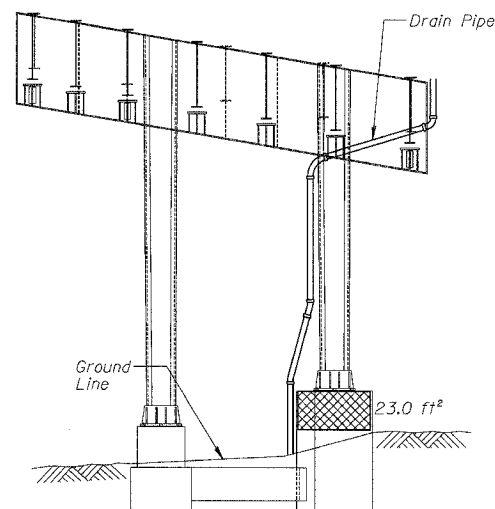
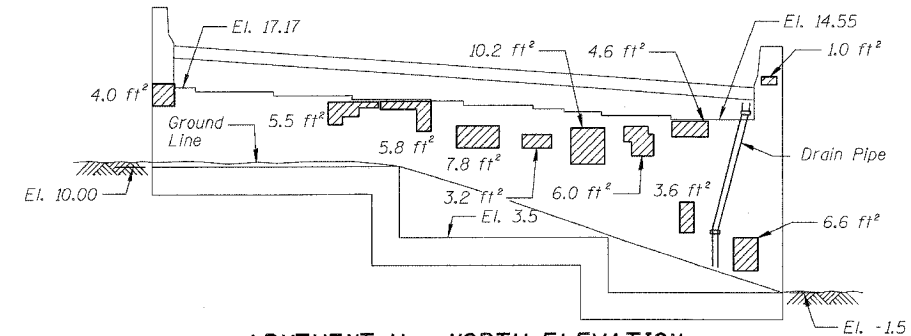


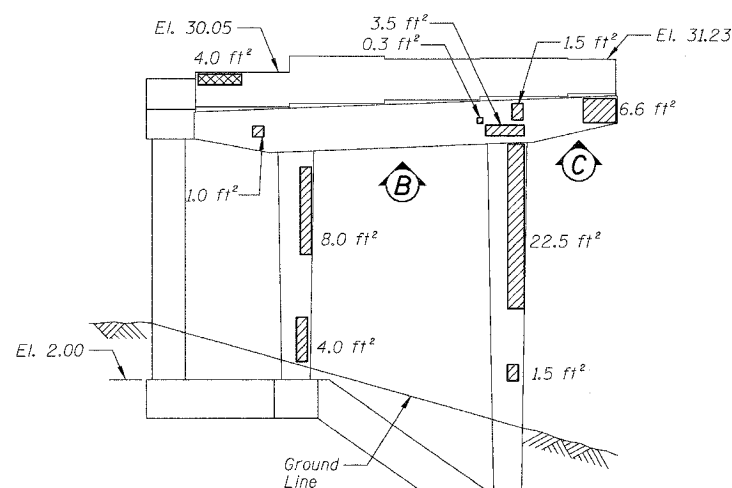
PIER H3 - SOUTH ELEVATION
(Looking North)



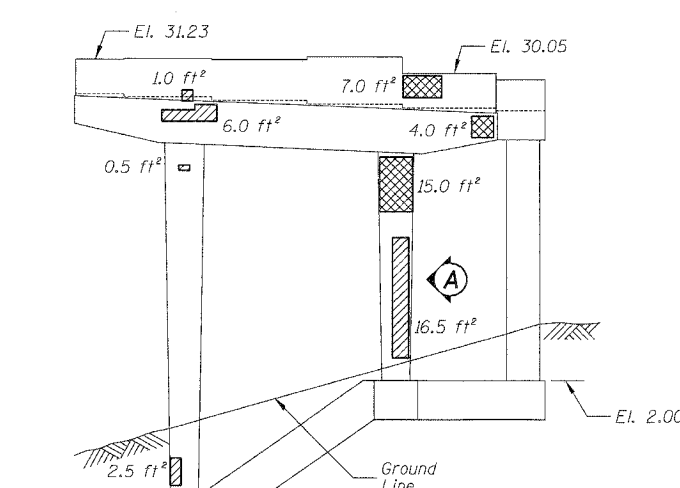
PIER H3 - NORTH ELEVATION
(Looking South)



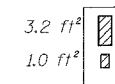
ABUTMENT H - NORTH ELEVATION
(Looking South)



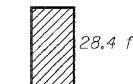
PIER H5 - SOUTH ELEVATION
(Looking North)



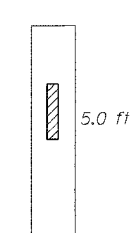
PIER H5 - NORTH ELEVATION
(Looking South)



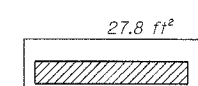
PIER H3 - VIEW D
Looking East at Side of Pedestal



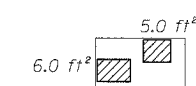
PIER H3 - VIEW E
Looking West at Side of Pedestal



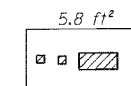
PIER H5 - VIEW A
Looking East at Side of Column



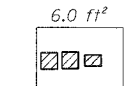
PIER H5 - VIEW B
Looking up at Bottom of Cap



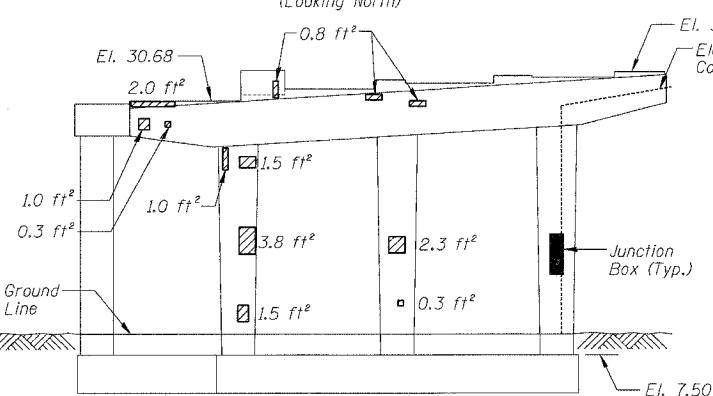
PIER H5 - VIEW C
Looking up at Bottom of Cap



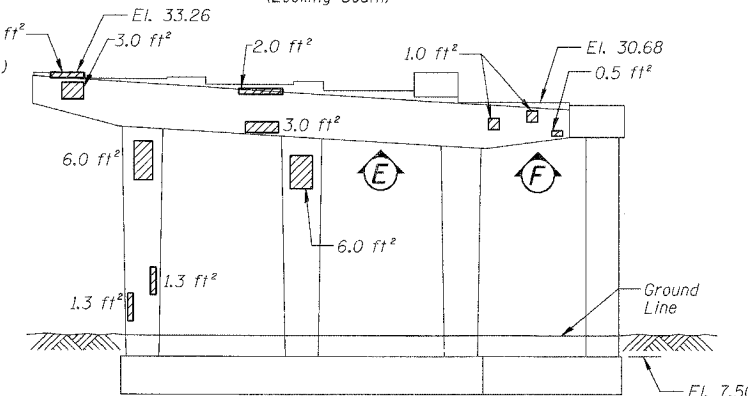
PIER H6 - VIEW E
Looking up at Bottom of Cap



PIER H6 - VIEW F
Looking up at Bottom of Cap



PIER H6 - ELEVATION
(Looking West)



PIER H6 - ELEVATION
(Looking East)

BILL OF MATERIAL

ITEM	UNIT	QUANTITY
Structural Repair of Concrete (Depth equal to or less than 5")	SQ. FT.	269.4
Structural Repair of Concrete (Depth greater than 5")	SQ. FT.	53.0

REVISIONS	
NAME	DATE

ILLINOIS DEPARTMENT OF TRANSPORTATION
F.A.I. 94/90 (DAN RYAN EXPRESSWAY)
DAN RYAN ELEVATED BRIDGE
BEARING REPLACEMENT & STEEL REPAIR
CONCRETE PIER REPAIRS
SN 016-1118, PIERS H3,H5,H6,ABUT. H
SCALE: NTS
DATE: 5/18/2007

DRAWN BY: LAM
CHECKED BY: BLU

BOWMAN, BARRETT & ASSOCIATES INC.
CONSULTING ENGINEERS
Chicago, Illinois
312.228.0100
www.bbainc.com

For Notes and Legend See Sheet 6

5/24/2007 5:03PM