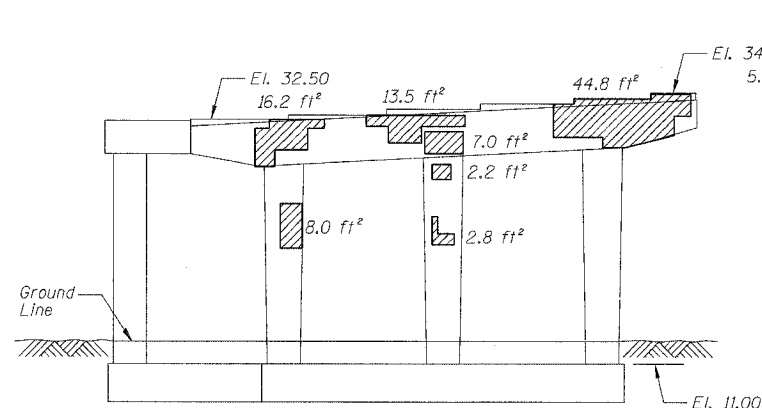
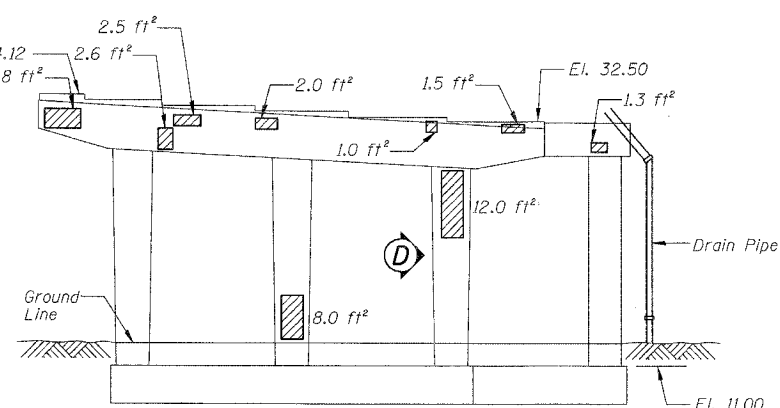


F.A.I.	SECTION	COUNTY	TOTAL SHEETS	SHEET NO.
94/90	2005-086 I	COOK	228	99
STA.	TO STA.			
FED. ROAD DIST. NO.	ILLINOIS	FED. AID PROJECT		

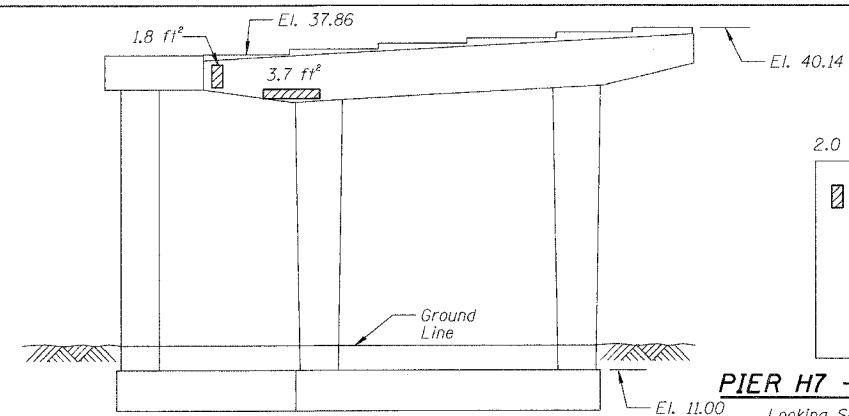
60B07



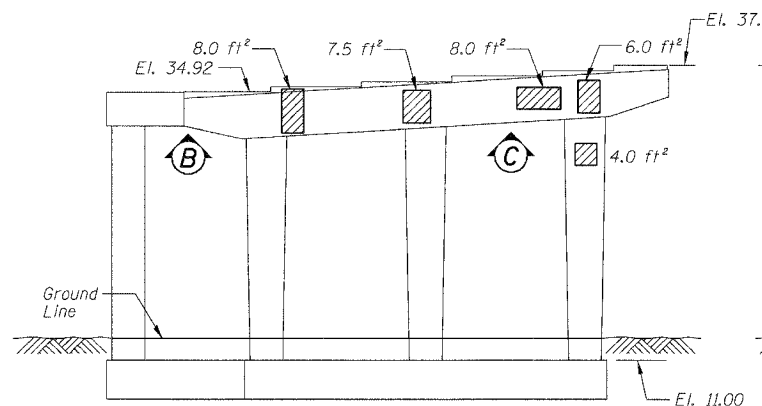
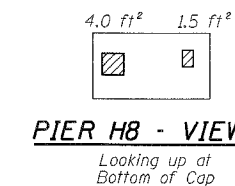
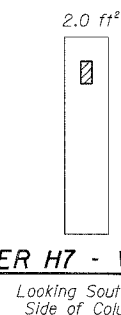
PIER H7 - ELEVATION
(Looking West)



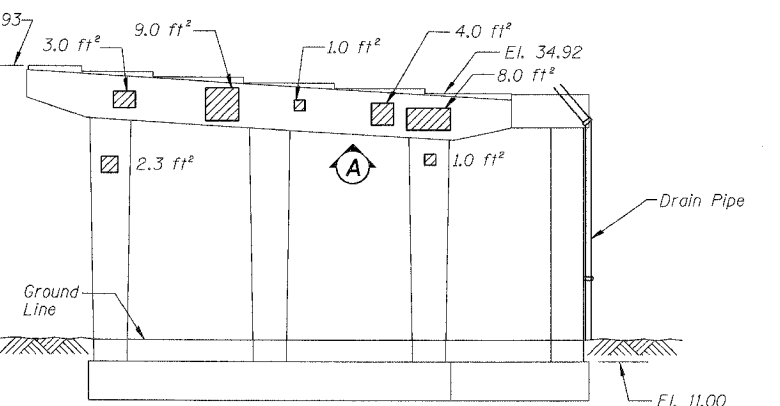
PIER H7 - ELEVATION
(Looking East)



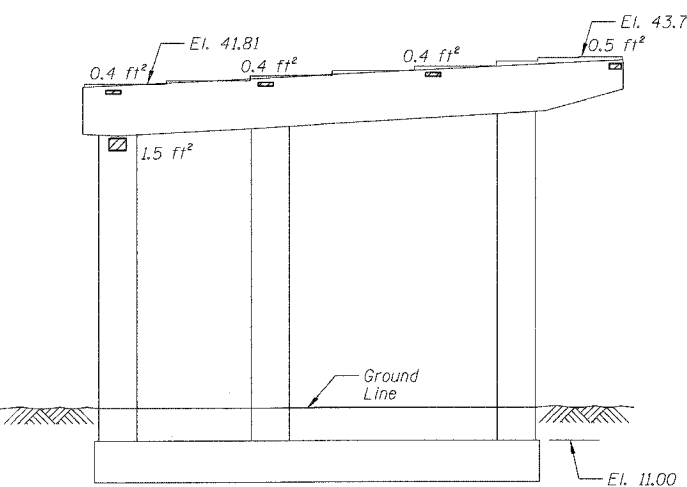
PIER H9 - ELEVATION
(Looking West)



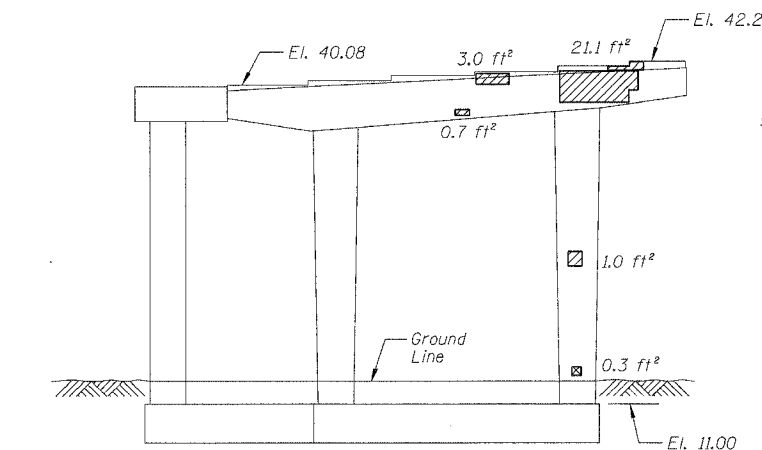
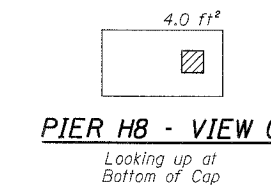
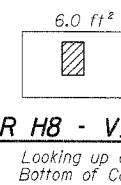
PIER H8 - ELEVATION
(Looking West)



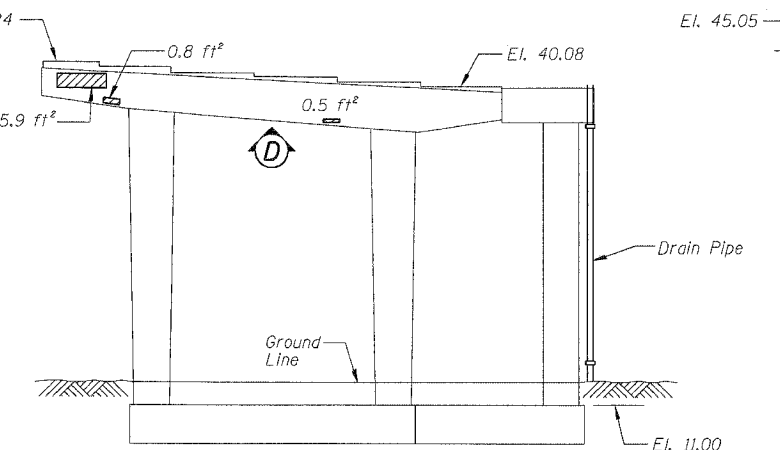
PIER H8 - ELEVATION
(Looking East)



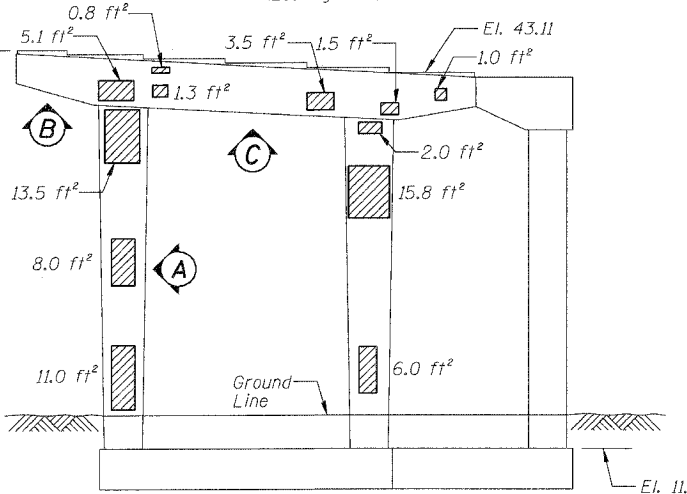
PIER H11 - ELEVATION
(Looking West)



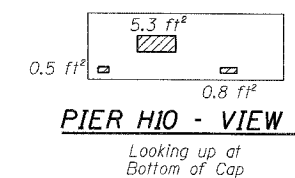
PIER H10 - ELEVATION
(Looking West)



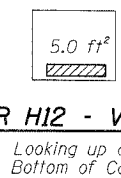
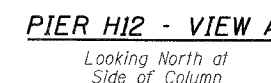
PIER H10 - ELEVATION
(Looking East)



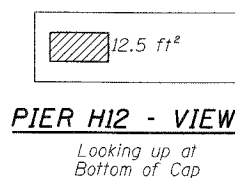
PIER H12 - ELEVATION
(Looking East)



PIER H10 - VIEW D
Looking up at Bottom of Cap



PIER H12 - VIEW B
Looking up at Bottom of Cap



PIER H12 - VIEW C
Looking up at Bottom of Cap

BILL OF MATERIAL

ITEM	UNIT	QUANTITY
Structural Repair of Concrete (Depth equal to or less than 5")	SQ. FT.	348.4
Structural Repair of Concrete (Depth greater than 5")	SQ. FT.	0.3

BOWMAN, BARRETT & ASSOCIATES INC.
CONSULTING ENGINEERS
Chicago, Illinois
312.228.0100
www.bbainc.com



For Notes and Legend See Sheet 6

REVISIONS	
NAME	DATE

ILLINOIS DEPARTMENT OF TRANSPORTATION
F.A.I. 94/90 (DAN RYAN EXPRESSWAY)
DAN RYAN ELEVATED BRIDGE
BEARING REPLACEMENT & STEEL REPAIR
CONCRETE PIER REPAIRS
SN 016-1118, PIERS H7-H12
SCALE: NTS
DATE: 5/18/2007
DRAWN BY: LAM
CHECKED BY: BLU

5/24/2007 5:00:05 PM