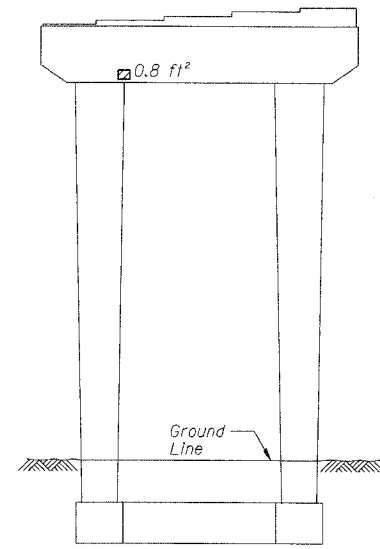
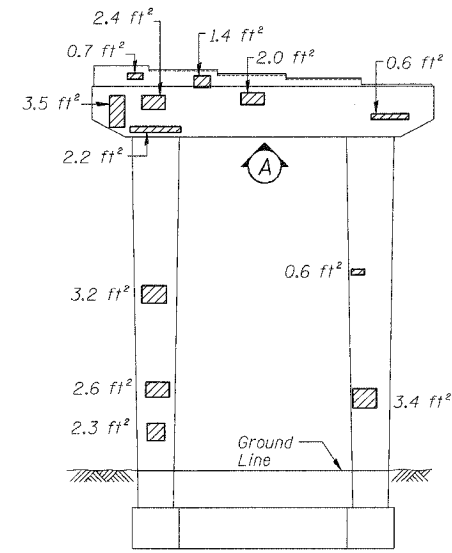


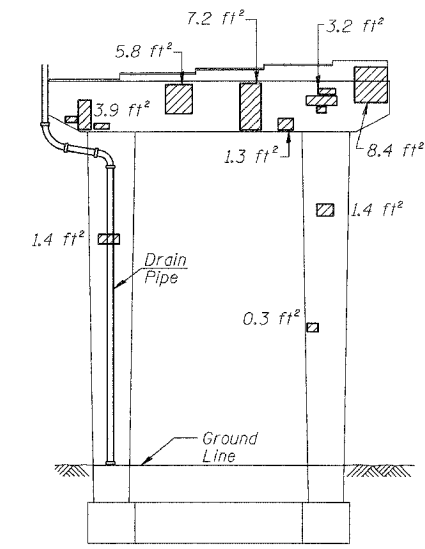
PIER 81 - SOUTH ELEVATION
(Looking North)



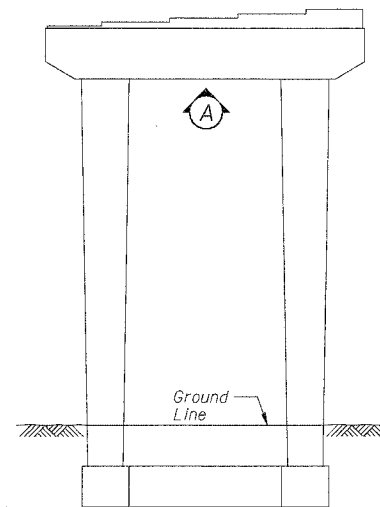
PIER 81 - NORTH ELEVATION
(Looking South)



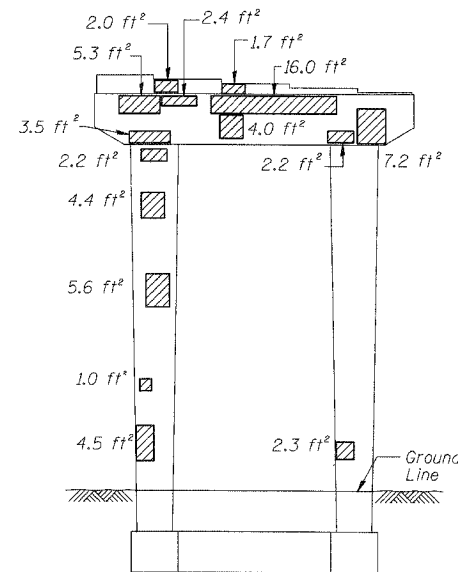
PIER 79 - SOUTH ELEVATION
(Looking North)



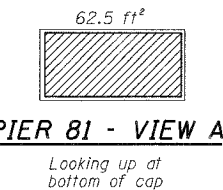
PIER 79 - NORTH ELEVATION
(Looking South)



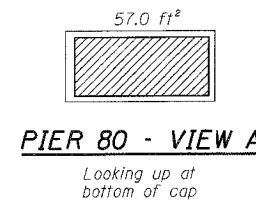
PIER 80 - SOUTH ELEVATION
(Looking North)



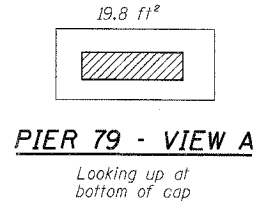
PIER 80 - NORTH ELEVATION
(Looking South)



PIER 81 - VIEW A
Looking up at bottom of cap



PIER 80 - VIEW A
Looking up at bottom of cap



PIER 79 - VIEW A
Looking up at bottom of cap

BILL OF MATERIAL

ITEM	UNIT	QUANTITY
Structural Repair of Concrete (Depth equal to or less than 5")	SQ. FT.	267.6

REVISIONS		ILLINOIS DEPARTMENT OF TRANSPORTATION F.A.I. 94/90 (DAN RYAN EXPRESSWAY) DAN RYAN ELEVATED BRIDGE BEARING REPLACEMENT & STEEL REPAIR CONCRETE PIER REPAIRS SN 016-1050, PIERS 79,80,81
NAME	DATE	

SCALE: NTS
DATE: 5/18/2007
DRAWN BY: LAM
CHECKED BY: BLU