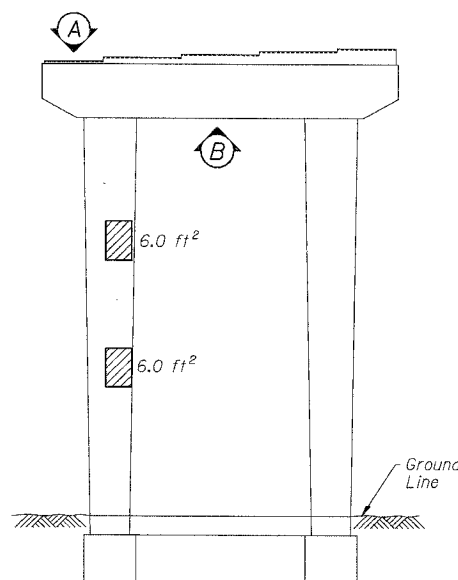
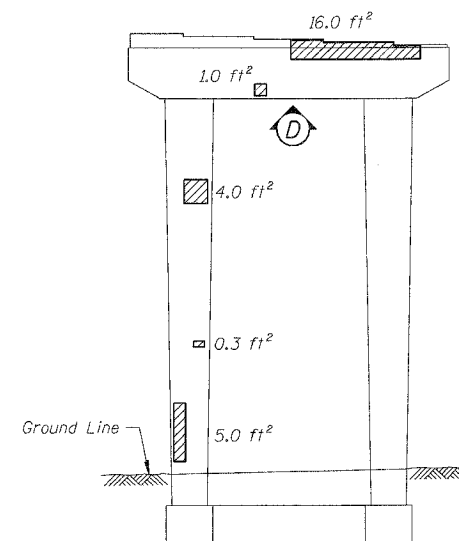


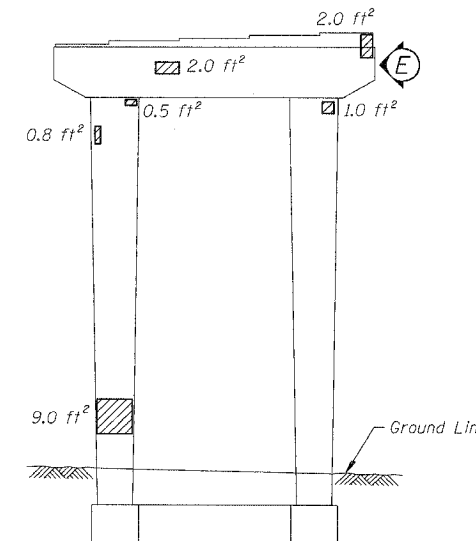
PIER 53 - WEST ELEVATION
(Looking East)



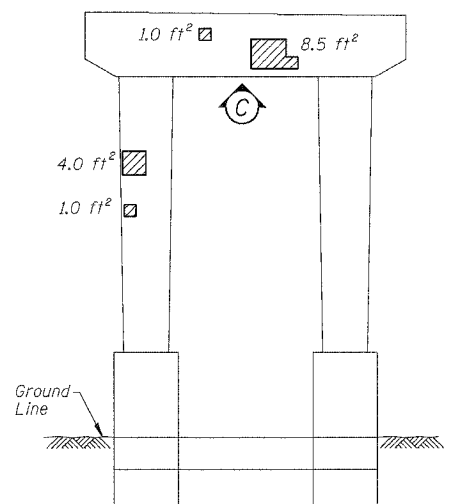
PIER 53 - EAST ELEVATION
(Looking West)



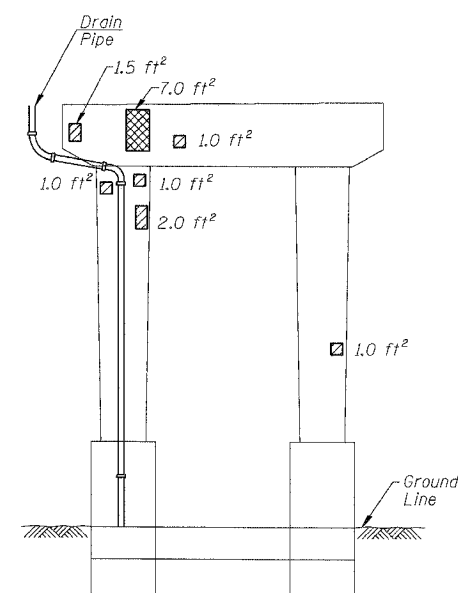
PIER 51 - WEST ELEVATION
(Looking East)



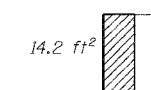
PIER 51 - EAST ELEVATION
(Looking West)



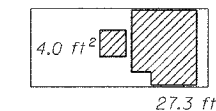
PIER 52 - WEST ELEVATION
(Looking East)



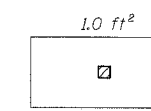
PIER 52 - EAST ELEVATION
(Looking West)



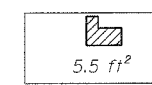
PIER 53 - VIEW A
Looking down at top of cap



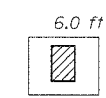
PIER 53 - VIEW B
Looking up at bottom of cap



PIER 52 - VIEW C
Looking up at bottom of cap



PIER 51 - VIEW D
Looking up at bottom of cap



PIER 51 - VIEW E
Looking south at end of cap

BILL OF MATERIAL

ITEM	UNIT	QUANTITY
Structural Repair of Concrete (Depth equal to or less than 5")	SQ. FT.	173.5
Structural Repair of Concrete (Depth greater than 5")	SQ. FT.	7.0

REVISIONS	
NAME	DATE

ILLINOIS DEPARTMENT OF TRANSPORTATION
F.A.I. 94/90 (DAN RYAN EXPRESSWAY)
DAN RYAN ELEVATED BRIDGE
BEARING REPLACEMENT & STEEL REPAIR
CONCRETE PIER REPAIRS
SN 016-1046, PIERS 51,52,53
SCALE: NTS
DATE: 5/18/2007
DRAWN BY: LAM
CHECKED BY: BLU

BOWMAN, BARRETT & ASSOCIATES INC.
CONSULTING ENGINEERS
Chicago, Illinois
312.228.0100
www.bbandainc.com

For Notes and Legend See Sheet 6

5/24/2007 5:00:28 PM