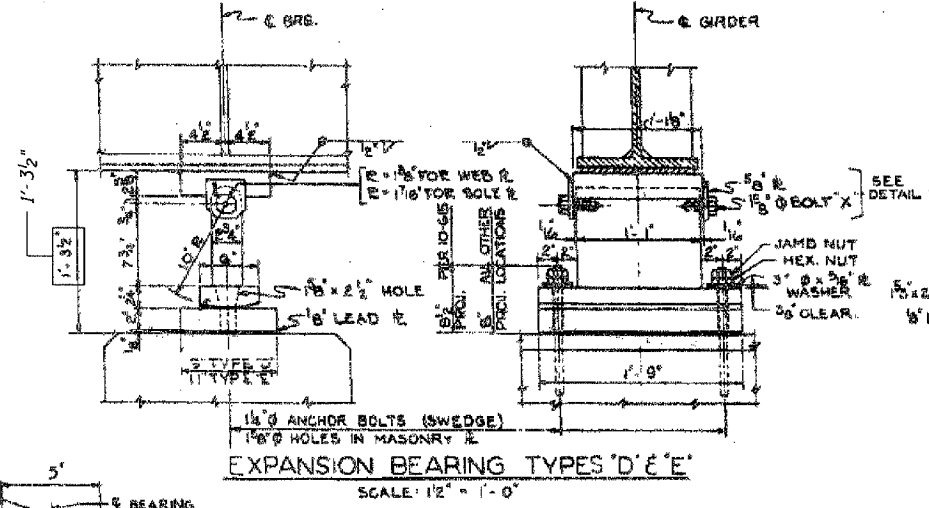
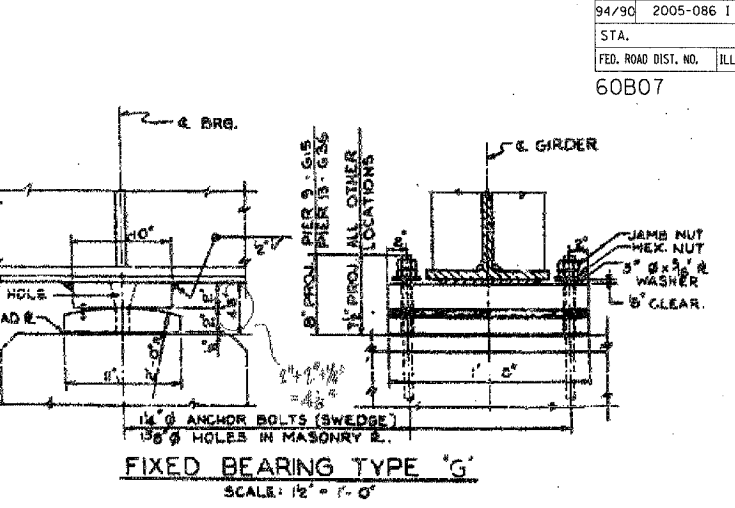


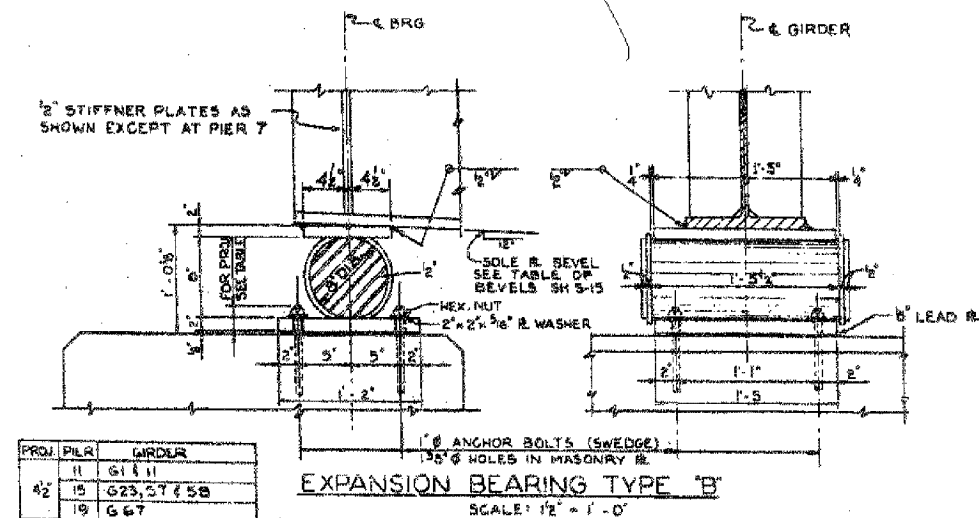
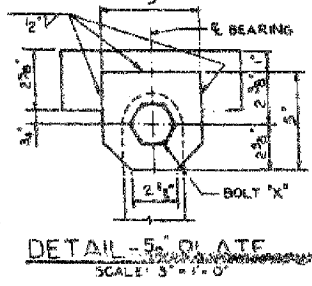
PROJ. PIER	GIRDER
5 1/2	11 G 4 I 15
5	11 G 5, 18 4 19
4 1/2	11 G 2, 6, 8, 10, 12, 14, 16, 17 1 3/6
15	G 29 4 36
4	ALL OTHER LOCATIONS



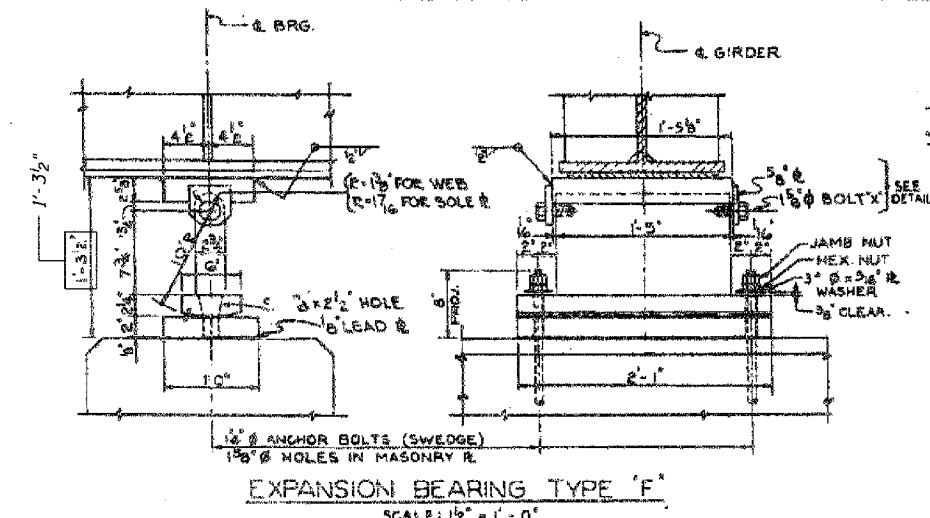
MATERIAL	TYPE 'D' (104 REQ'D)	TYPE 'E' (43 REQ'D)
SOLE PLATE	9" x 2 1/2" x 1'-11"	9" x 2 1/2" x 1'-11"
MASONRY R.	9" x 2" x 1'-8"	11" x 2" x 1'-9"
ROLLER	8" x 2 1/2" x 1'-1"	9" x 2 1/2" x 1'-1"
WEB R.	6" x 2 1/2" x 1'-9"	6" x 2 1/2" x 1'-9"
ROCKER R.	9" x 2 1/2" x 1'-9"	11" x 2 1/2" x 1'-9"
1" LEAD R.	14" x 1'-9"	14" x 1'-9"
2-ANCHOR BOLTS	1 1/2" x 1'-9"	1 1/2" x 1'-9"
2-R WASHERS	3" x 3" x 3/16"	3" x 3" x 3/16"
2-BOLTS "X"	1 1/2" x 3 1/2"	1 1/2" x 3 1/2"
2-3/8" R.	5" x 3/8" x 0'-5"	5" x 3/8" x 0'-5"



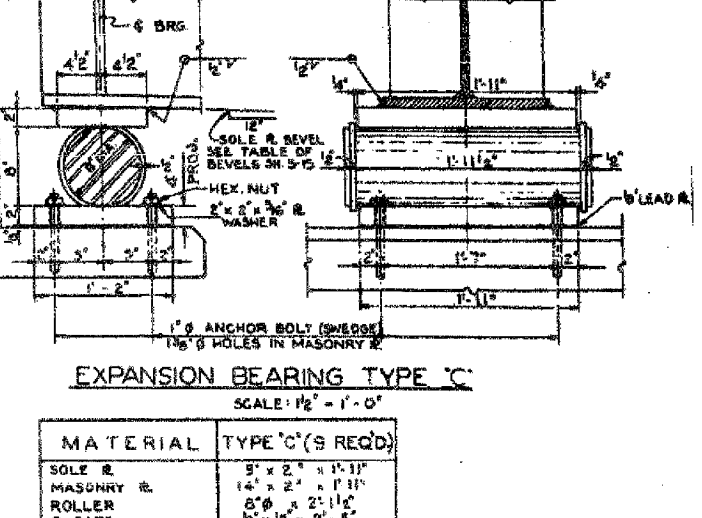
MATERIAL	TYPE 'G' (84 REQ'D)
SOLE PLATE	10" x 2" x 1'-8"
MASONRY R.	11" x 2" x 1'-8"
1" LEAD R.	11" x 2" x 1'-8"
2-ANCHOR BOLTS	1 1/2" x 1'-8"
2-R WASHERS	3" x 3" x 3/16"



MATERIAL	TYPE 'B' (79 REQ'D)
SOLE PLATE	9" x 2" x 1'-5"
MASONRY R.	14" x 2" x 1'-5"
ROLLER	8" x 1'-7 1/2"
2-BARS	2" x 2" x 2'-5"
1" LEAD R.	14" x 2" x 1'-5"
4-ANCHOR BOLTS	1 1/2" x 1'-5"
4-R WASHERS	2" x 2" x 3/16"

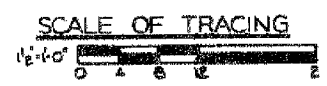


MATERIAL	TYPE 'F' (1 REQ'D)
SOLE PLATE	9" x 2 1/2" x 1'-5 1/2"
MASONRY R.	12" x 2" x 2'-1"
WEB R.	9" x 2 1/2" x 1'-5"
ROCKER R.	6" x 2 1/2" x 2'-1"
1" LEAD R.	12" x 1'6" x 2'-1"
2-ANCHOR BOLTS	1 1/2" x 1'-9"
2-R WASHERS	3" x 3" x 3/16"
2-BOLTS "X"	1 1/2" x 3 1/2"
2-3/8" R.	5" x 3/8" x 0'-5"



MATERIAL	TYPE 'C' (9 REQ'D)
SOLE PLATE	9" x 2" x 1'-11"
MASONRY R.	14" x 2" x 1'-11"
ROLLER	8" x 2 1/2" x 1'-1"
2-BARS	2" x 2" x 2'-5"
1" LEAD R.	14" x 2" x 1'-11"
4-ANCHOR BOLTS	1 1/2" x 1'-6"
4-R WASHERS	2" x 2" x 3/16"

FOR LOCATION OF BEARINGS SEE FRAMING PLANS SH. 5-13, 5-14 & 5-15.



NOTE: ROCKER R. AND WEB R. FOR EXPANSION BRG. TYPES 'D' & 'F' CAN BE GRADE 85-33 CARBON STEEL CASTING. QUANTITIES INCLUDED IN BILL OF MATERIAL SHEET 5-19 FOR FILL PLATES AT BEARINGS, SEE SHEET 5-15. FOR ADDITIONAL DETAILS SEE SHEET 5-19.

Designed By N. S. W.  
 Drawn By M. M. M.  
 Checked By W. J. C.  
 In Charge H. S. WULF  
 Approved By L. H. RIAN

BOWMAN, BARRETT & ASSOCIATES INC.  
 CONSULTING ENGINEERS  
 Chicago, Illinois  
 312.228.0100  
 www.bbainc.com

FOR INFORMATION ONLY

Sheet S18 of 64

REVISIONS	NAME	DATE

ILLINOIS DEPARTMENT OF TRANSPORTATION  
 F.A.I. 94/90 (DAN RYAN EXPRESSWAY)  
 DAN RYAN ELEVATED BRIDGE  
 BEARING REPLACEMENT & STEEL REPAIR  
 EXISTING PLAN INFORMATION  
 SN 016-0137

SCALE: NTS  
 DATE: 5/18/2007

DRAWN BY: LAM  
 CHECKED BY: BLU

CITY OF CHICAGO  
 DEPARTMENT OF PUBLIC WORKS  
 BUREAU OF ENGINEERING  
 SOUTH ROUTE SUPERHIGHWAY  
 ELEVATED HIGHWAY  
 W. 13 TH ST. TO W. MAXWELL ST.  
 SECTION 9-2525.3-1H  
 BEARINGS  
 UNITS 1, 2, 3 & 4  
 DE LEUW, CATHY & COMPANY  
 CONSULTING ENGINEERS CHICAGO  
 SCALE: AS NOTED  
 SHEET 518 OF 64  
 DATE: JUNE 1961