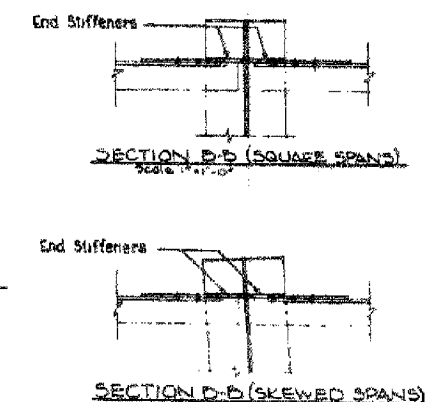
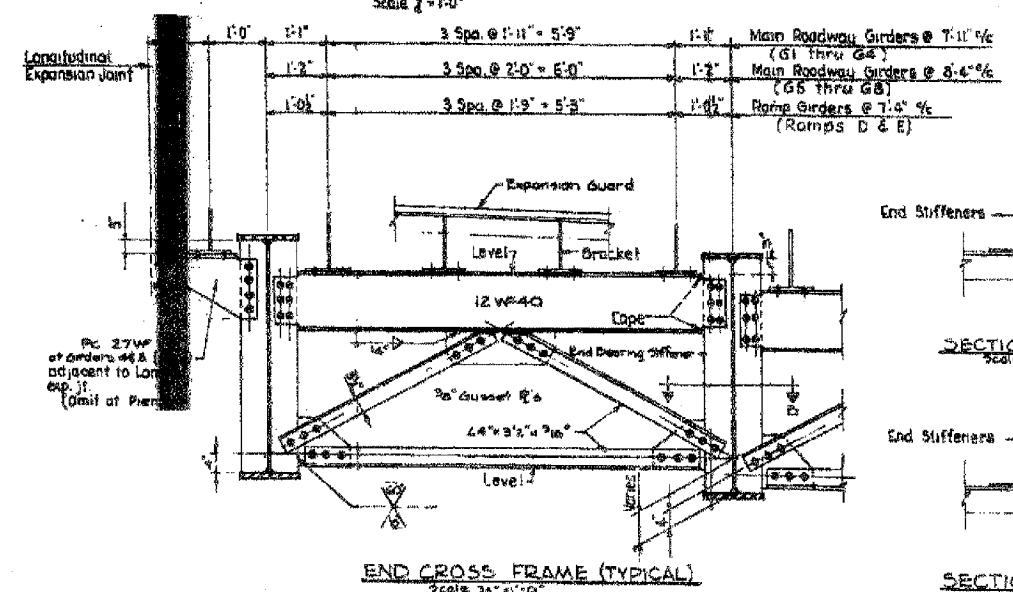
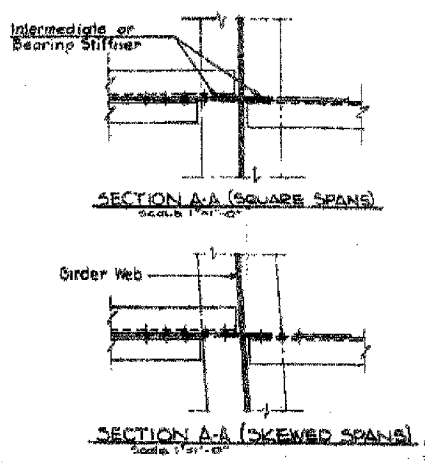
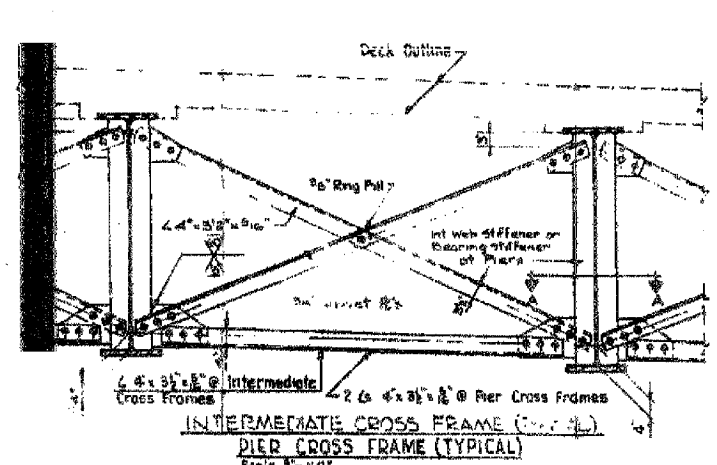


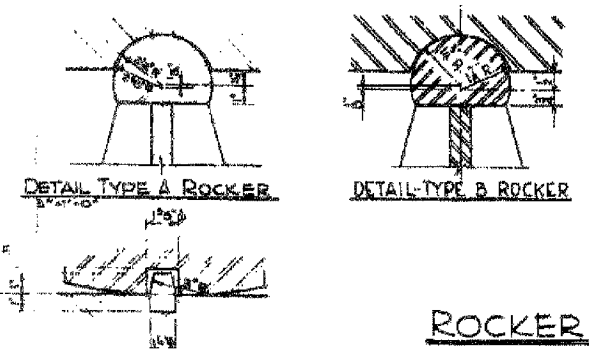
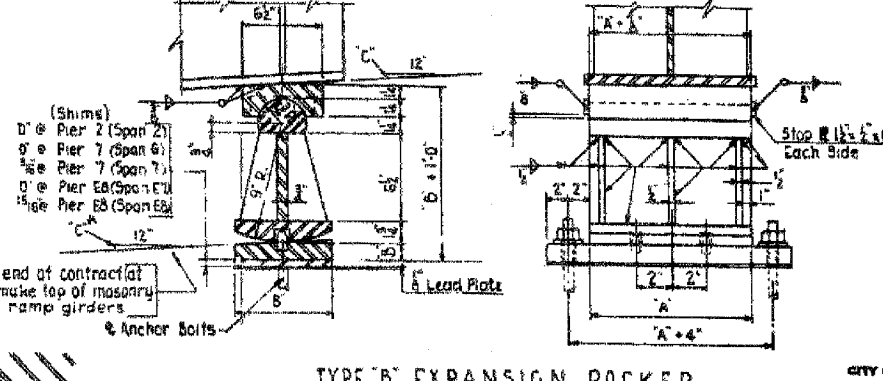
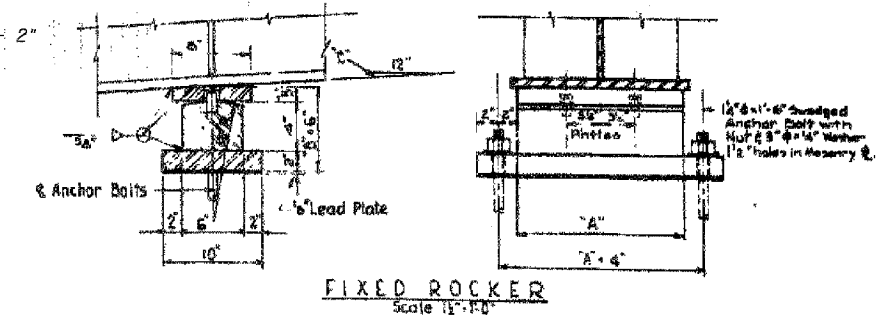
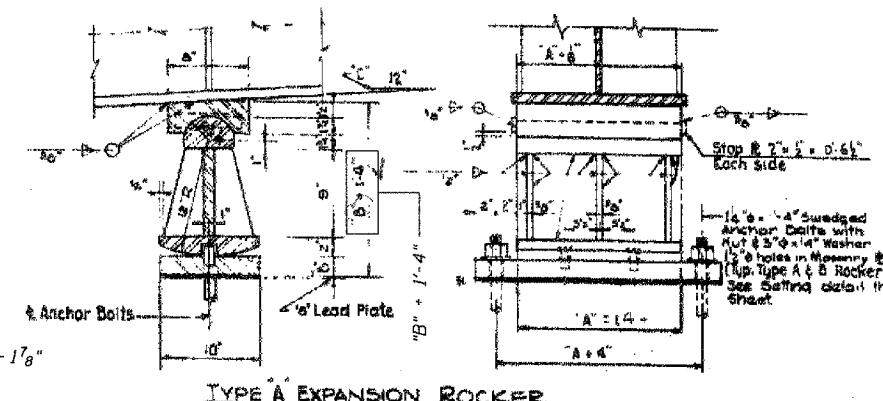
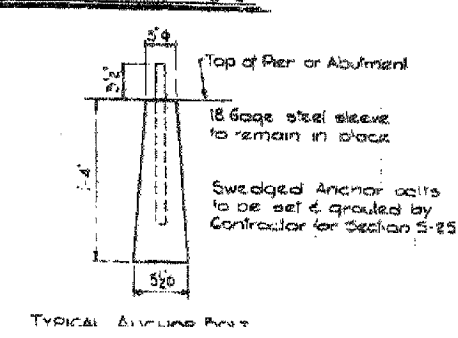
ROCKER SCHEDULE

Girder	Type	"A"	"B"	"C"
PIER 1- SPAN 1				
G1 - L&R	Fixed	10'	11 1/2'	16'
G2,3 - L&R	Fixed	10'	11 1/2'	16'
G4,5 - L&R	Fixed	10'	11 1/2'	16'
G6-9 - L&R	Fixed	10'	11 1/2'	16'
PIER 2- SPAN 1				
G1 - L&R	B	11'	12'	16'
G2,3 - L&R	B	11'	12'	16'
G4,5 - L&R	B	11'	12'	16'
G6-9 - L&R	B	11'	12'	16'
PIER 2 SPAN 2				
G1 - L&R	B	10'	11 1/2'	16'
G2,3 - L&R	B	10'	11 1/2'	16'
G4,5 - L&R	B	10'	11 1/2'	16'
G6-9 - L&R	B	10'	11 1/2'	16'
PIERS 3,4,6,8,9 & 11				
G1 - L&R	A	11'	12'	16'
G2,3 - L&R	A	15'	16'	16'
G4,5 - L&R	A	12'	13'	16'
G6-9 - L&R	A	14'	15'	16'
PIER 7 & PIER BY OTHERS				
G1 - L&R	B	10'	11 1/2'	16'
G2,3 - L&R	B	10'	11 1/2'	16'
G4,5 - L&R	B	10'	11 1/2'	16'
G6-9 - L&R	B	10'	11 1/2'	16'
RAMP E				
ABUTMENT E5 & PIER BY OTHERS				
All Girders	B	10'	11 1/2'	16'
PIERS E6,9 & E11				
All Girders	A	14'	15'	16'
PIERS E7 & E10				
All Girders	Fixed	14'	15'	16'
PIER E8				
All Girders	B	10'	11 1/2'	16'
RAMP D				
ABUTMENT D7 & PIER BY OTHERS				
All Girders	B	10'	11 1/2'	16'
PIER D8, D9, & D11				
All Girders	A	14'	15'	16'
PIER D10				
All Girders	Fixed	14'	15'	16'



CROSS FRAME DETAILS

NOTES
Expansion Guard bracket spacings shown are typical at locations where girders are parallel.
Dimensions to be adjusted by detailer where girders are fanned. Hold bracket spacings to 2'-3" max. See Framing Plans for 1/4" dimensions of fanned girders.
Special bracket spacing dimensions to be used at north end of contract to meet expansion guard supplied by others. See Expansion Guard Details Sheet S-27.
Intermediate Cross Frames and End Cross Frames shown are typical for simple spans & continuous spans. Pier cross frames typical are at interior piers of continuous spans. See Framing Plans & Girder Details for girder dimensions & spacings.



ROCKER DETAILS

FOR INFORMATION ONLY

CITY OF CHICAGO
DEPARTMENT OF PUBLIC WORKS
BUREAU OF ENGINEERING
SOUTH ROUTE SUPERHIGHWAY
SECTION NO. S-1555.2-SH
W. 166 STREET TO W. 168 STREET
CROSS FRAMES & ROCKERS
CONORR, TOWNSEND & ASSOCIATES
CONSULTING ENGINEERS
CHICAGO, ILLINOIS
DESIGNED BY RLF CHECKED BY H.M. CHAMBERLAIN
DRAWN BY

Sheet S24 of 82

REVISIONS	NAME	DATE

ILLINOIS DEPARTMENT OF TRANSPORTATION
F.A.I. 94/90 (DAN RYAN EXPRESSWAY)
DAN RYAN ELEVATED BRIDGE
BEARING REPLACEMENT & STEEL REPAIR
EXISTING PLAN INFORMATION
SN 016-1111
SCALE: NTS DATE: 5/18/2007 DRAWN BY: LAM CHECKED BY: BLU

BOWMAN, BARRETT & ASSOCIATES INC.
CONSULTING ENGINEERS
Chicago, Illinois
312.228.0100
www.bbainc.com