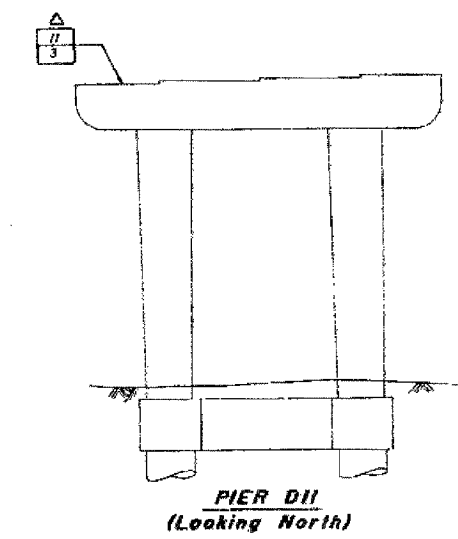
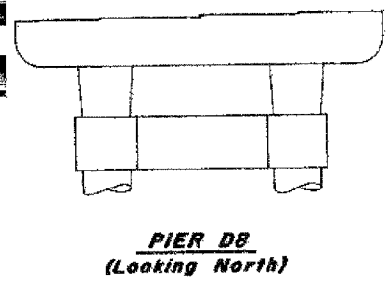
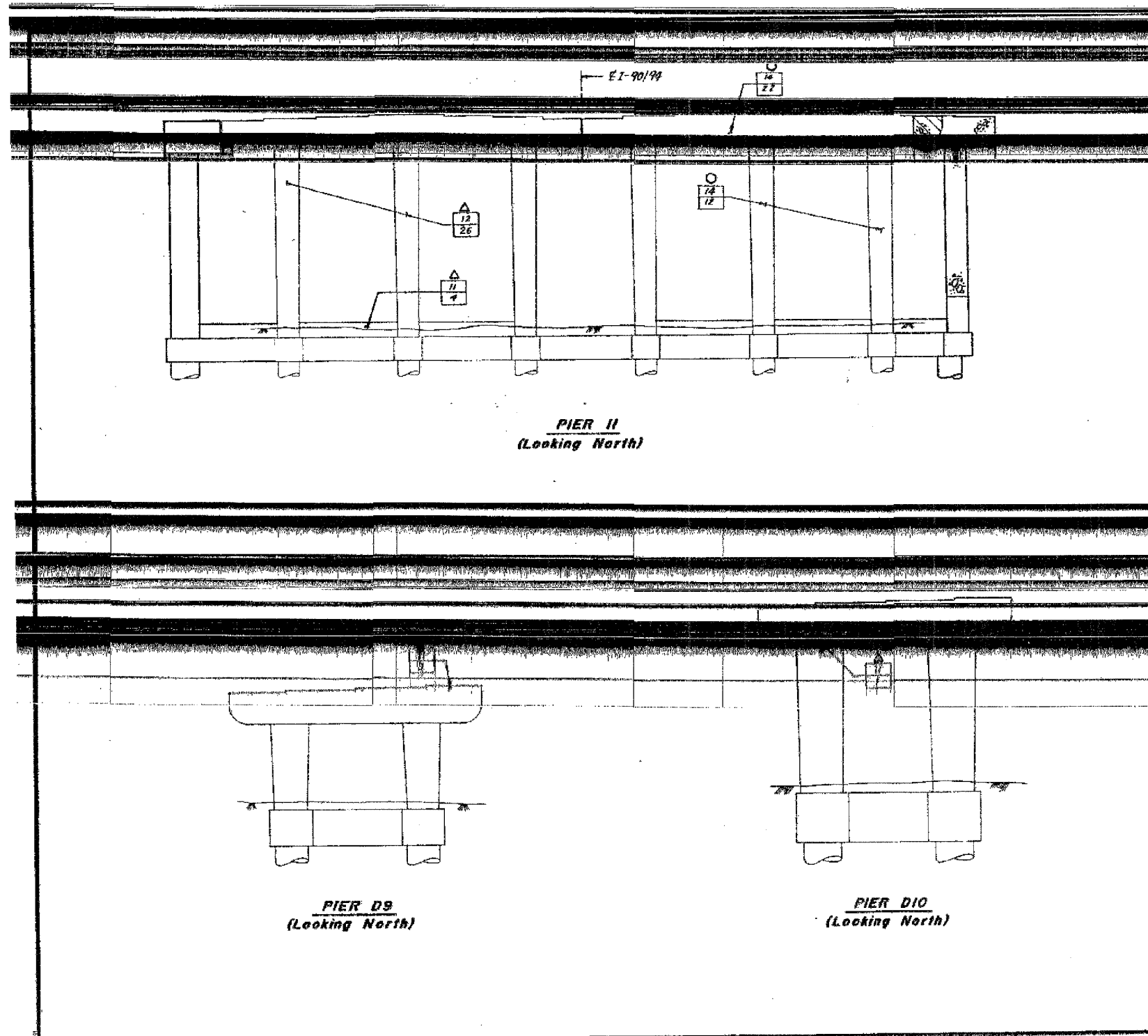


F.A.I.	SECTION	COUNTY	TOTAL SHEETS	SHEET NO.
94/90	2005-086 I	COOK	228	156
STA.		TO STA.		
FED. ROAD DIST. NO.		ILLINOIS	FED. AID PROJECT	
60B07				

F.A.I.	SECTION	COUNTY	TOTAL SHEETS	SHEET NO.
94/94	*	COOK	38	37
STA.		TO STA.		
FED. ROAD DIST. NO.		ILLINOIS	FED. AID PROJECT	
* 1985-082 R				



- LEGEND**
- INITIAL CONSTRUCTION**
  - EXISTING PIER
  - ADVANCE WORK**
  - SUBSTRUCTURE WIDENING
  - SUBSTRUCTURE REMOVAL
  - S.B. MAINLINE RECONSTRUCTION**
  - PIER REMOVAL
  - PIER REPLACEMENT
  - PIER REHABILITATION (SEE NOTE "A")
  - N.B. MAINLINE RECONSTRUCTION**
  - PIER REMOVAL
  - PIER REPLACEMENT
  - PIER REHABILITATION (SEE NOTE "A")
  - NOTE "A"**
  - INDICATES TYPE OF REPAIR (FOR DETAILS SEE SHT. PR1)
  - INDICATES AREA OF DISTRESS (EXPRESSED IN SQ. FT. OR L.W. FT.)

STATE OF ILLINOIS  
DEPARTMENT OF TRANSPORTATION  
F.A.I. ROUTE 90/94 (DAN RYAN EXPRESSWAY)  
SECTION 1985-082 R - COOK COUNTY  
S.B. MAINLINE RECONSTRUCTION  
SUBSTRUCTURE WIDENING REHABILITATION & REPLACEMENT  
STRUCTURE 016-111 (MAINLINE)  
PIERS II, D8 THRU D11  
Scale: NONE  
Date: AUGUST, 1997  
Drawn By: SAF  
Checked By: RJ  
ENVIRONMENTAL ENGINEERS INC.  
Chicago, Illinois

**REVISIONS**

Name	Date

FOR INFORMATION ONLY

BOWMAN, BARRETT & ASSOCIATES INC.  
CONSULTING ENGINEERS  
Chicago, Illinois  
312.228.0100  
www.bbainc.com

**REVISIONS**

NAME	DATE

ILLINOIS DEPARTMENT OF TRANSPORTATION  
F.A.I. 94/90 (DAN RYAN EXPRESSWAY)  
DAN RYAN ELEVATED BRIDGE  
BEARING REPLACEMENT & STEEL REPAIR  
EXISTING PLAN INFORMATION  
SN 016-1111  
SCALE: NTS  
DATE: 5/18/2007  
DRAWN BY: LAM  
CHECKED BY: BLU

5/24/2007 5:05:32 PM