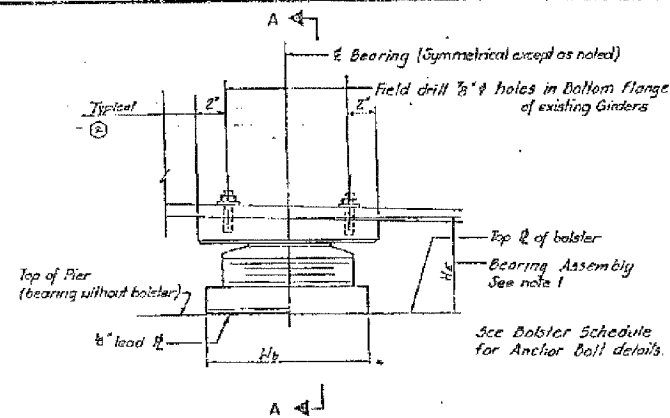
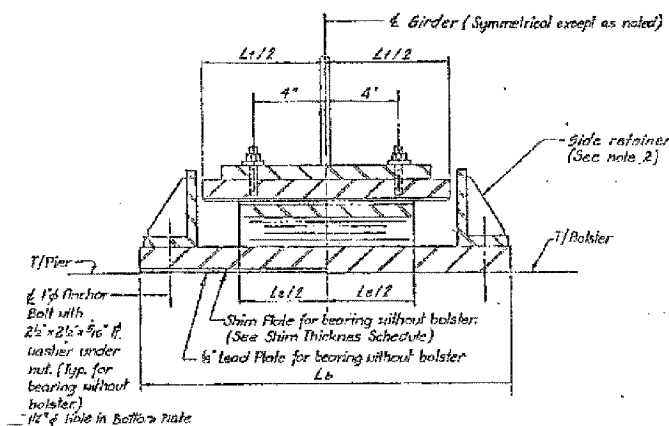


60B07

FED. ROAD DIST. NO.	SECTION	COUNTY	TOTAL SHEETS	SHEET NO.
90/94	8	COOK	83	38
STA.		TO STA.		
FED. ROAD DIST. NO.	ILLINOIS	FED. AID PROJECT		

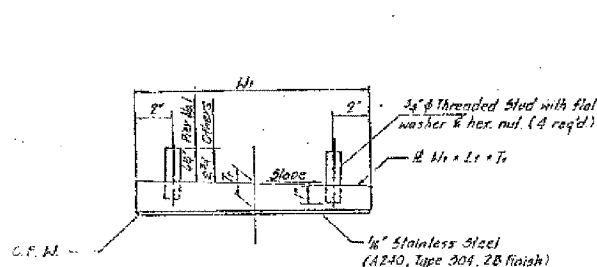


TYPICAL ELEVATION

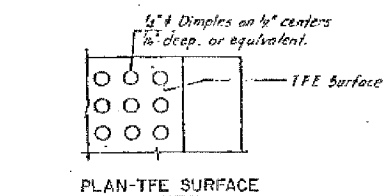


SECTION A-A

TYPE II TFE ELASTOMERIC EXPANSION BEARING



TOP BEARING ASSEMBLY



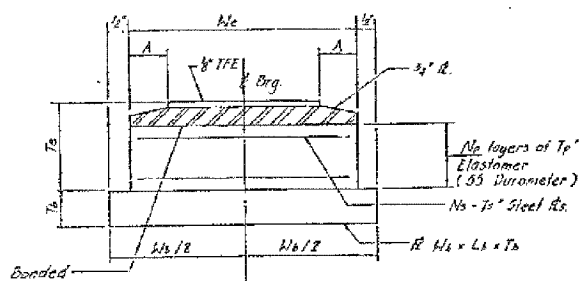
PLAN-TFE SURFACE



SECTION THRU TFE

Note: The 1/2" TFE sheet shall be bonded directly to the top steel plate with a two-component, medium viscosity epoxy resin, conforming to the requirements of the Federal Specification MMM-A-134, Type I. The bond agent shall be applied on the full area of the contact surface.

Bonding of 1/2" TFE sheet during vulcanizing process will be permitted provided the process and method of adjusting assembly height is approved by the Engineer.



BOTTOM BEARING ASSEMBLY

He	6"	7"	9"	10"	11"	12"	20"
A	1"	1"	1 1/2"	1 1/2"	1 1/2"	1 1/2"	1 1/2"

Notes:

- Height of bearing assembly, He, includes top plate, elastomeric assembly, bottom plate, and 1/2" lead plate for bearings without bolster. He does not include shim plate.
- Side retainer details for bearings located on top of pier are shown on this sheet. For bearings requiring a bolster. See bolster details for side retainer details.
- For bearings without bolster, the side retainer shall be fastened as shown after the girder and bearing assembly have been set into their final position.

ALL MATERIALS SHOWN ON THIS SHEET ARE FURNISHED UNDER A SEPARATE SUPPLY CONTRACT (SECTION 1985-0331), UNLESS NOTED OTHERWISE.

SHEET BRGS OF 48

REVISIONS	
Name	Date
(2) Revisited	2-5-88

STATE OF ILLINOIS
DEPARTMENT OF TRANSPORTATION
EAL ROUTE 90/94 (DAN RYAN EXPRESSWAY)
SECTION 1985-082 R -- COOK COUNTY
S.B. MAINLINE RECONSTRUCTION
BEARINGS - STRUCTURE NOS. 016-1115 AND 1117
TYPE II ELASTOMERIC EXPANSION BEARINGS
Scale: None
Date: AUGUST 14, 1987
Drawn By: D.C.
Checked By: S.B.
ENVIROTYPE ENGINEERS INC.
Chicago, Illinois

REVISIONS	
NAME	DATE

ILLINOIS DEPARTMENT OF TRANSPORTATION
F.A.I. 94/90 (DAN RYAN EXPRESSWAY)
DAN RYAN ELEVATED BRIDGE
BEARING REPLACEMENT & STEEL REPAIR
EXISTING PLAN INFORMATION
SN 016-1115 & SN 016-1117
SCALE: NTS
DATE: 5/18/2007
DRAWN BY: LAM
CHECKED BY: BLU

FOR INFORMATION ONLY