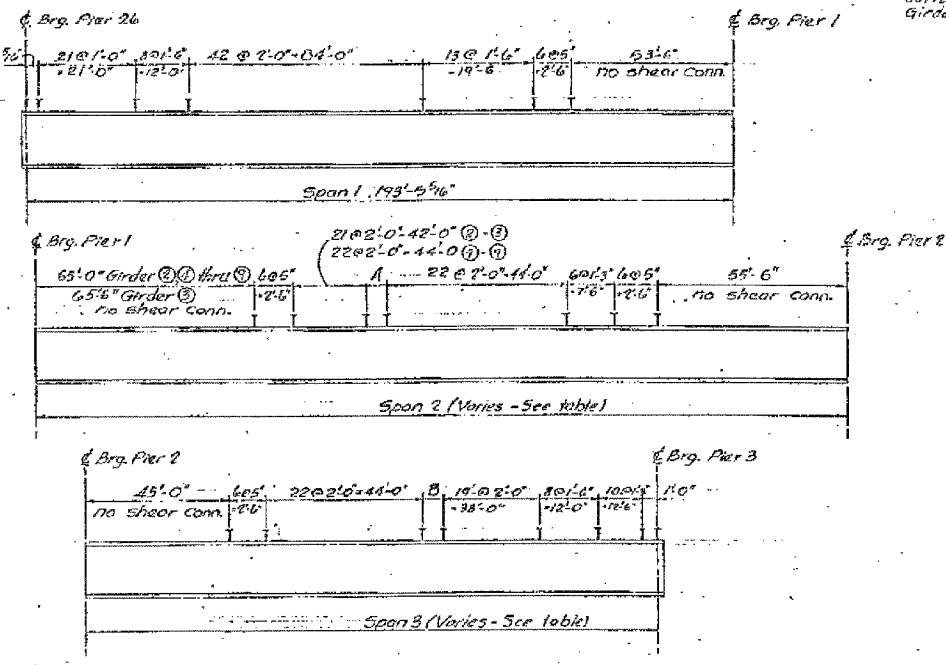
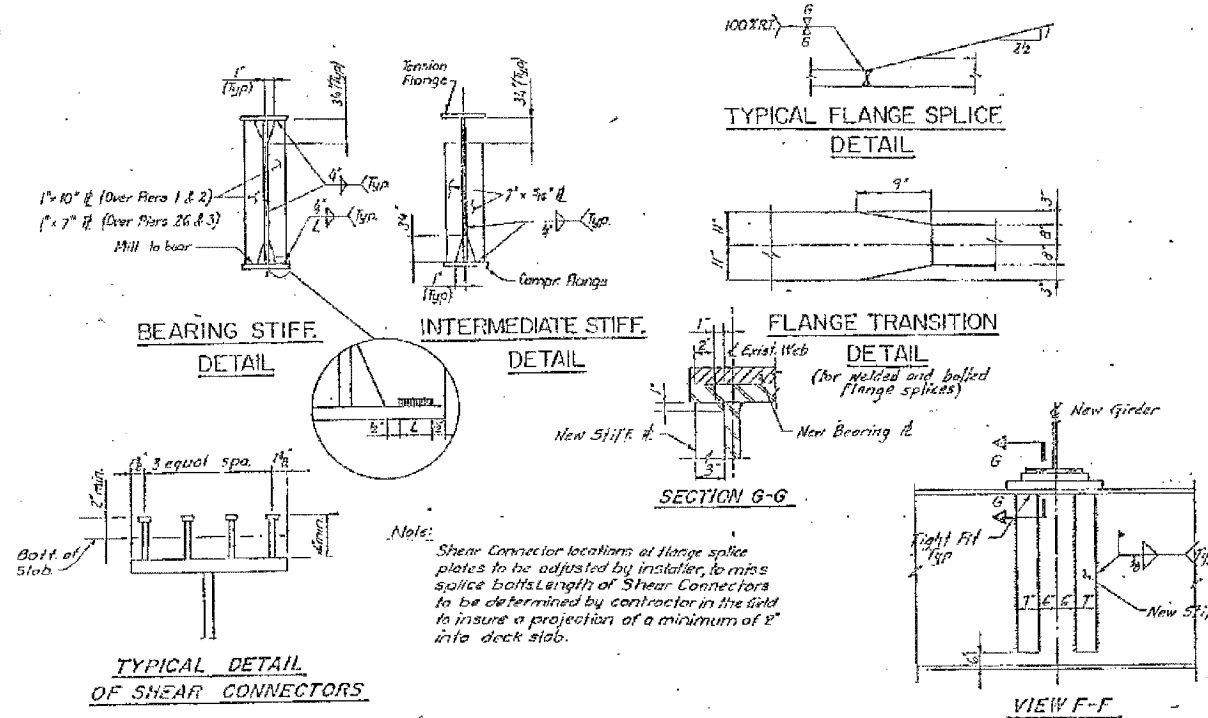
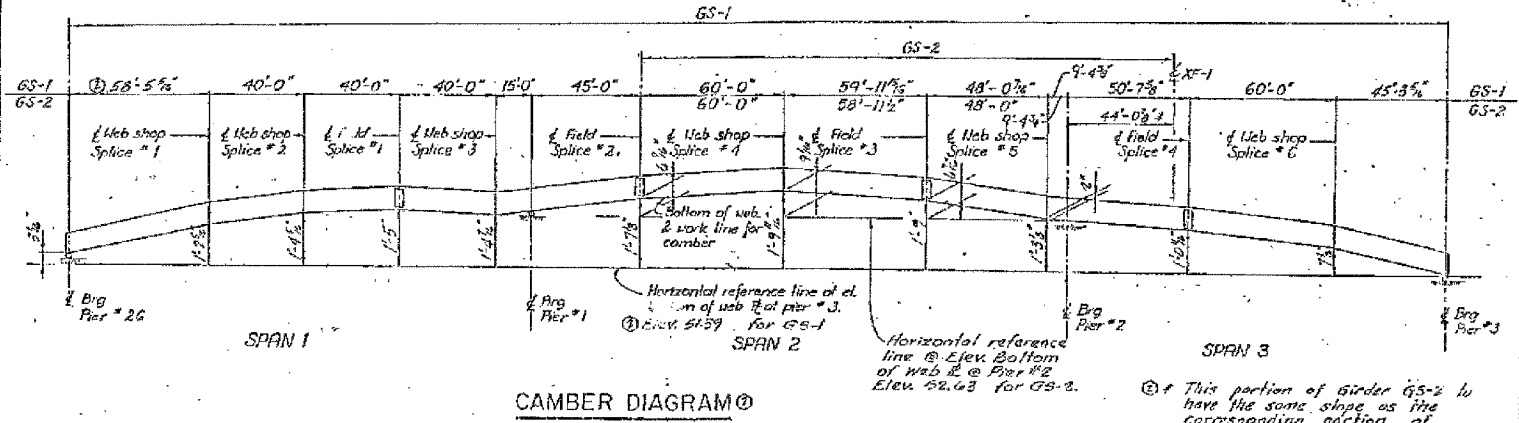


60B07

DATE	BY	CHKD
9/13/07	W	COOK
10/11/07	W	20
11/14/07	W	9

### MOMENT, REACTION & STRESS TABLE

Location	Girder G5-1						Girder G5-2						XF-1	
	Pier 26	.4L	Pier 1	.5L	Pier 2	.6L	Pier 3	Pier 26	.4L	Pier 1	.5L	Pier 2		
Is (in <sup>4</sup> )	152027	374220	10734	317557	11034			197571	422285	11034	37557			
Ic (in <sup>4</sup> )	274515		216434		216434			339420		216434				
Ss (in <sup>3</sup> )	3427	7338	2417	6280	2417			3423	8210	2417	6280			
Sc (in <sup>2</sup> )	4357		3289		3289			4645		3289				
W <sub>x</sub> (in <sup>3</sup> )	1094	1453	0732	1223	1094			1158	1507	0892	1113			
W <sub>y</sub> (in <sup>3</sup> )	2615	5582	1167	3925	1497			2735	5742	1205	3132			
I <sub>o-nom</sub> (in <sup>4</sup> )	9.2	2.1	5.8	7.5	7.4			9.6	8.4	6.0	6.0			
W <sub>sp</sub> (in <sup>3</sup> )	0.100	0.100	0.100	0.100	0.100			0.100	0.100	0.100	0.100			
M <sub>sp</sub> (in <sup>3</sup> )	255	485	191	376	195			250	498	199	348			
M <sub>u</sub> (in <sup>3</sup> )	1976	2347	1294	1813	1495			1758	2175	1079	1579			
M <sub>imp</sub> (in <sup>3</sup> )	310	352	156	288	265			276	326	155	302			
M <sub>total</sub> (in <sup>3</sup> )	2541	3104	1671	2417	1905			2234	2977	1438	2229			
f <sub>a</sub> comp. (ksi)	7.0	5.2	6.1	4.7	7.0			5.9	4.4	5.2	6.3			
f <sub>a</sub> tot. (ksi)	16.2	14.3	11.9	12.2	14.3			15.5	12.8	11.2	10.3			
V <sub>range</sub> (k)	437		321		48.6			416		31.9				
R <sub>B</sub> (k)	81.6		291.7		230.4			63.3	62.7	299.7		192.3		-44.4
R <sub>H</sub> (k)	52.1		110.4		79.8			50.7	48.5	103.7		74.0		-33.3
R <sub>imp</sub> (k)	8.2		10.9		7.9			9.0	7.6	16.6		9.3		-4.2
R <sub>total</sub> (k)	141.9		413.0		318.1			123.0	123.8	480.0		281.6		-61.9



GIRDER	A	B
2	1'-9 1/2"	1'-2 1/2"
3	1'-11 1/2"	1'-4 1/2"
4	1'-2 1/2"	1'-7 1/2"
5-7	2'-0"	1'-10 1/2"

SHEET 19 OF 120

REVISIONS	DATE
(2)	2-5-08

STATE OF ILLINOIS  
DEPARTMENT OF TRANSPORTATION  
F.A.I. ROUTE 90/84 (DAN RYAN EXPRESSWAY)  
SECTION 1905-082R - COOK COUNTY  
S.B. MAINLINE RECONSTRUCTION  
STRUCTURE 016-1116  
STRUCTURAL STEEL DETAILS  
Scale: NONE  
Date: AUG. 14, 1987  
Drawn By: D.M.T.S.  
Checked By: A.V.R.  
ENTREPRENEUR ENGINEERS INC.  
Chicago, Illinois

ILLINOIS DEPARTMENT OF TRANSPORTATION  
F.A.I. 94/90 (DAN RYAN EXPRESSWAY)  
DAN RYAN ELEVATED BRIDGE  
BEARING REPLACEMENT & STEEL REPAIR  
EXISTING PLAN INFORMATION  
SN 016-1116  
SCALE: NTS  
DATE: 5/18/2007  
DRAWN BY: LAM  
CHECKED BY: BLU

FOR INFORMATION ONLY