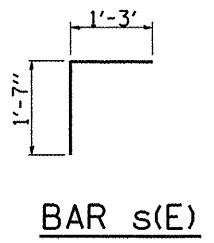


SECTION A-A

NOTE:

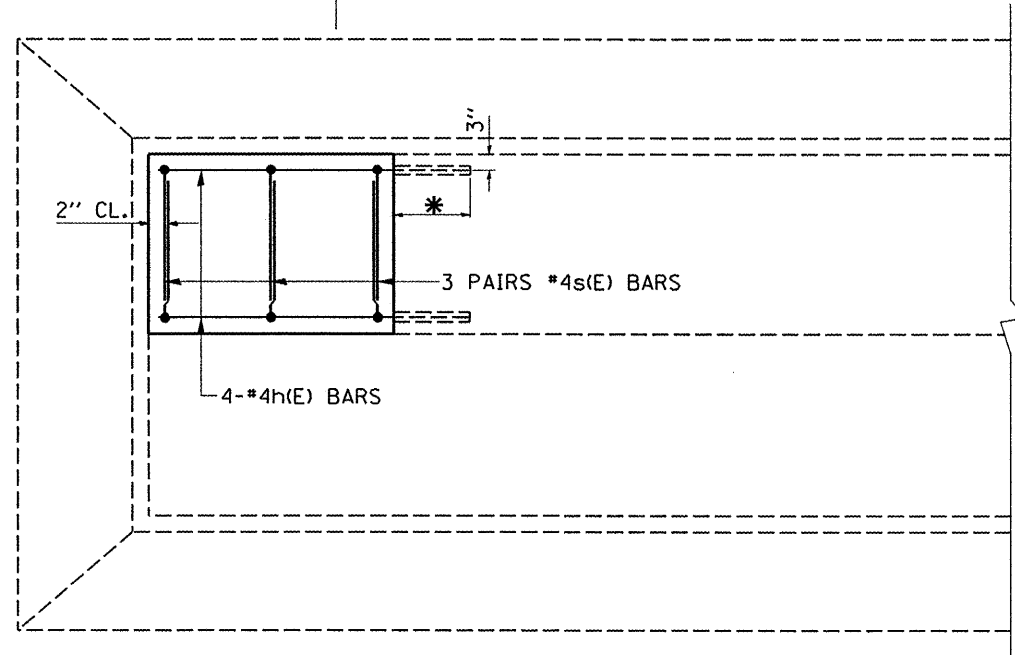
* DRILL AND EPOXY GROUT 9" MINIMUM INTO THE EXISTING CONCRETE ACCORDING TO ART 584 OF THE STANDARD SPECIFICATIONS COST INCLUDED WITH REINFORCEMENT BARS, EPOXY COATED.



BAR s(E)



CL BEAM NO. 1



SECTION B-B

REACTION TABLE	
PIER NO. 12 SPAN 13	
DEAD LOAD	83.1 KIPS
LIVE LOAD	65.9 KIPS
IMPACT	10.5 KIPS
TOTAL REACTION	159.5 KIPS

FILE NAME = c:\projects\struc1\016-2504.dgn	USER NAME = tiniakosmv	DESIGNED - DRAWN -	REVISED - REVISED -
PLOT SCALE = 105.8794 "/td> <td>CHECKED -</td> <td>REVISED -</td> <td>REVISED -</td>	CHECKED -	REVISED -	REVISED -
PLOT DATE = 4/7/2008	DATE -	REVISED -	REVISED -

**STATE OF ILLINOIS
DEPARTMENT OF TRANSPORTATION**

**LEMONT AVENUE OVER DES PLAINS RIVER, AND I & M CANAL
PORTION OF THE PIER NO. 12 CAP RECONSTRUCTION
S.N. 016-2504**

F.A. - RTE. 2612	SECTION 31048-1-1-1	COUNTY COOK	TOTAL SHEETS 6	SHEET NO. 5
CONTRACT NO. 60C39				
FED. ROAD DIST. NO. 1 ILLINOIS FED. AID PROJECT				