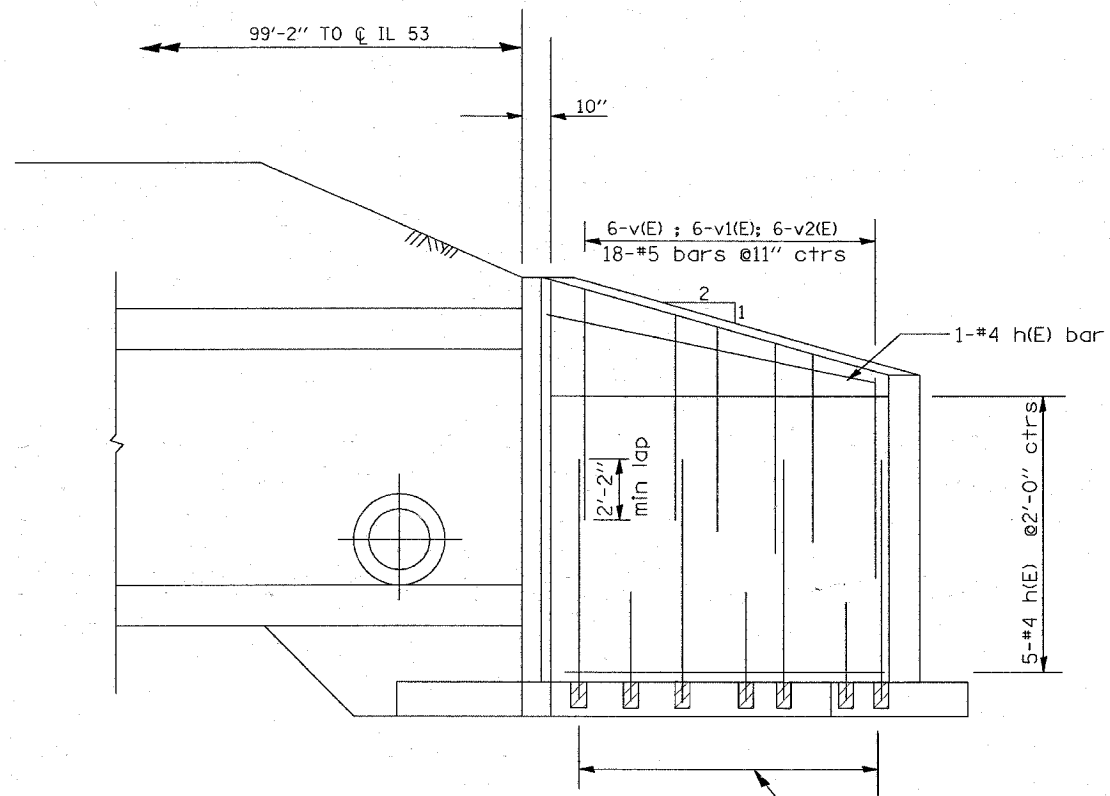


ROUTE	SECTION	COUNTY	TOTAL SHEETS	SHEET NUMBER
FAP 342	531-2.1-I	COOK	10	7

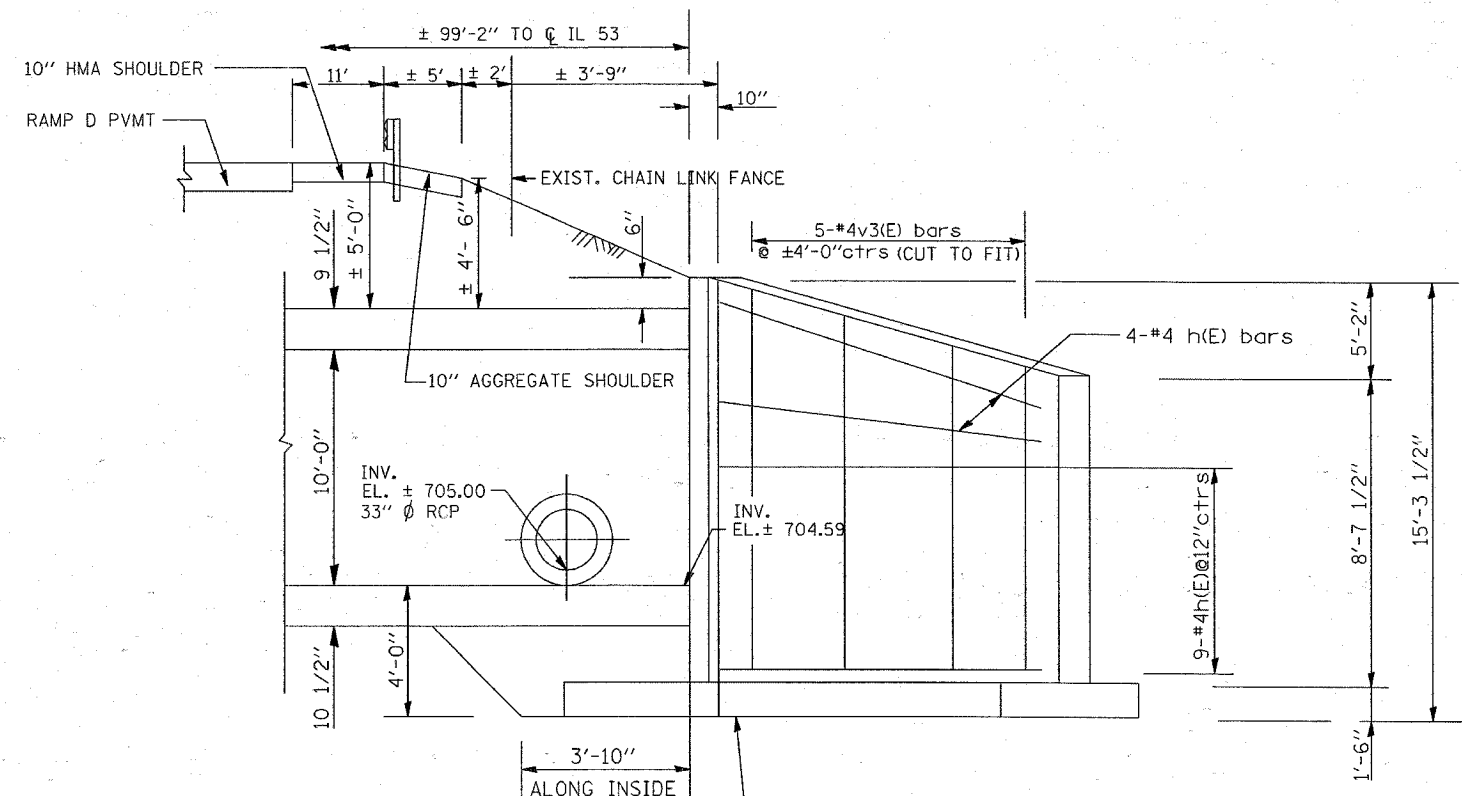
CONTRACT: 60C42



**ELEVATION**  
(SHOWING REINF. BACK FACE)

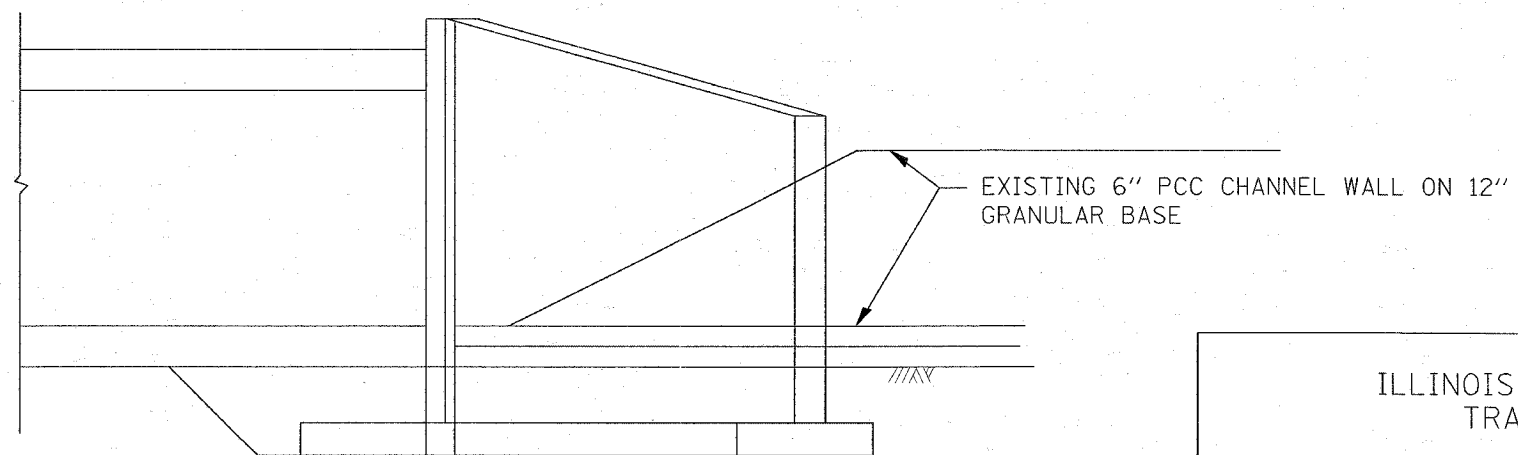
17-#6 n(E) \* bars @ 11" ctrs alternate with  
18-#7 n1(E) \* bars @ 11" ctrs

\* DRILL AND EPOXY GROUT 9" MINIMUM INTO EXISTING  
CONCRETE ACCORDING TO ARTICLE 584 OF THE  
STANDARD SPECIFICATION



**ELEVATION**  
(SHOWING REINF. FRONT FACE)

ELEV. ± 700.39



**PCC CHANNEL WALL**

ILLINOIS DEPARTMENT OF  
TRANSPORTATION  
IL 53  
OVER SALT CREEK BRANCH  
WINGWALL REPLACEMENT ELEVATION