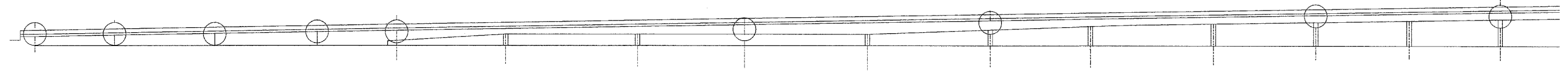


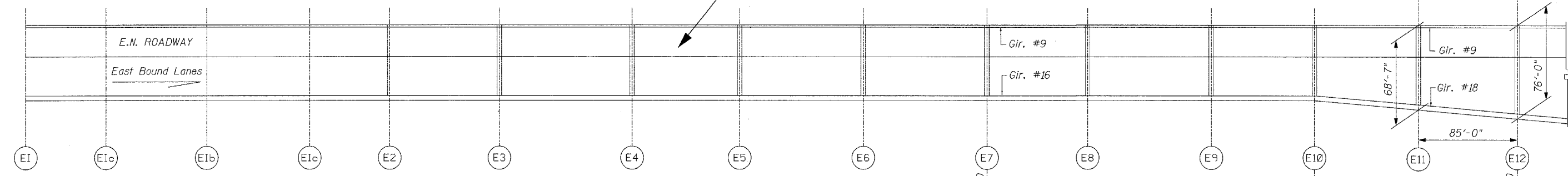
F.A.I. RTE.	SECTION	COUNTY	TOTAL SHEETS	SHEET NO.
55	*	COOK	26	10
STA.		TO STA.		
FED. ROAD DIST. NO.		ILLINOIS	FED. AID PROJECT	

*1818 (.31 H & .32 H) I-4
CONTRACT NO. 60C92

SN 016-0036 (E.B.) SN 016-1045 (E.B.)
 SN 016-1052 (W.B.)

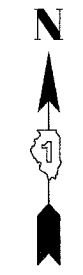


ELEVATION - E.N. ROADWAY

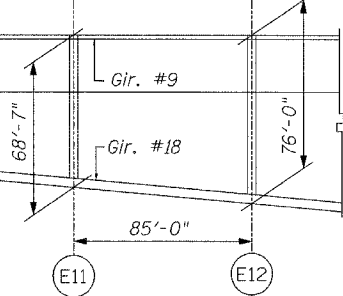


STRUCTURE NO. 016-0036

PLAN

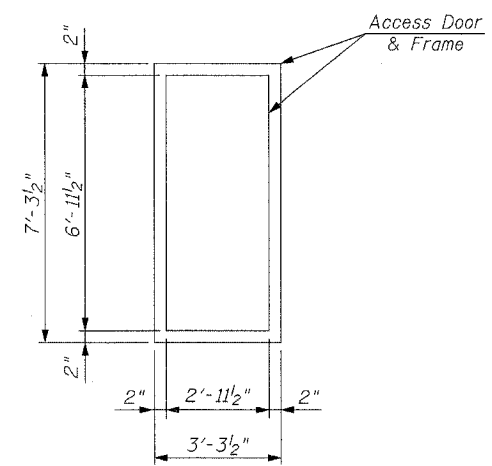


Limits of Protective Shield (Permanent)



**BILL OF MATERIAL
 S.N. 016-0036**

ITEM	UNIT	QUANTITIES
ACCESS DOOR	EACH	1
DECK SLAB REPAIR (FULL DEPTH, TYPE II)	SQ. YD.	33
DECK SLAB REPAIR (PARTIAL)	SQ. YD.	32
PROTECTIVE SHIELD (PERMANENT)	SQ. YD.	636



ACCESS DOOR DETAIL

NOTE:
 The Steel Door is located inside near the vaulted approaches at the west end of S.N. 016-0036.
 The Door is bolted with sections of guardrail.
 The Steel Door and Frame are to be replaced.

REVISIONS	
NAME	DATE

ILLINOIS DEPARTMENT OF TRANSPORTATION
 GENERAL PLAN & ELEVATION
 I-55
 OVER
 U.S. 41/LAKE SHORE DRIVE
 F.A.I. RTE. 55 SECTION: 1818(.31H & .32H)I-4
 COOK COUNTY
 STRUCTURE NO. 016-0036
 SCALE: NONE
 DATE: APRIL 23, 2008
 DRAWN BY: D.L./F.M.
 CHECKED BY: B.N.S./S.J.P.
CHRISTIAN-ROGE & ASSOC., INC.
 CHICAGO ILLINOIS