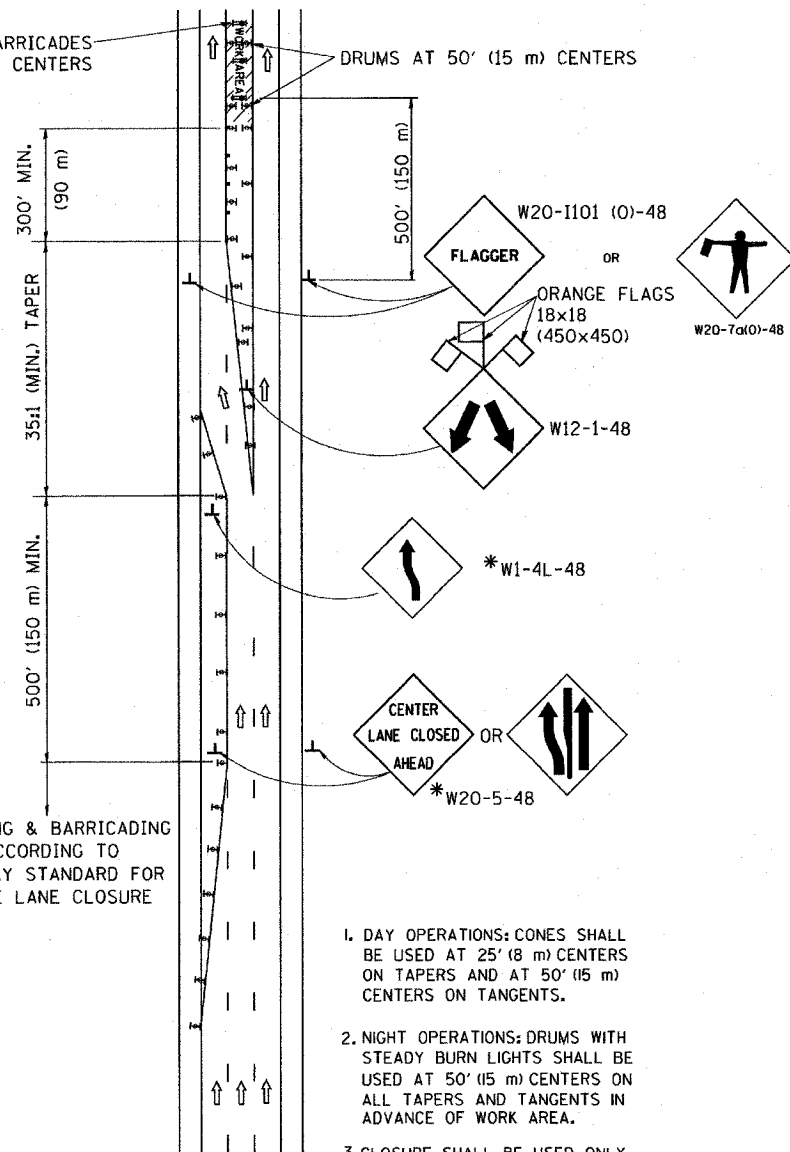


F.A.I. RITE	SECTION	COUNTY	TOTAL SHEETS	SHEET NO.
55	818(31H & 32H) 1-	COOK	24	23
STA.	TO STA.			
FED. ROAD DIST. NO.	ILLINOIS FED. AID PROJECT			

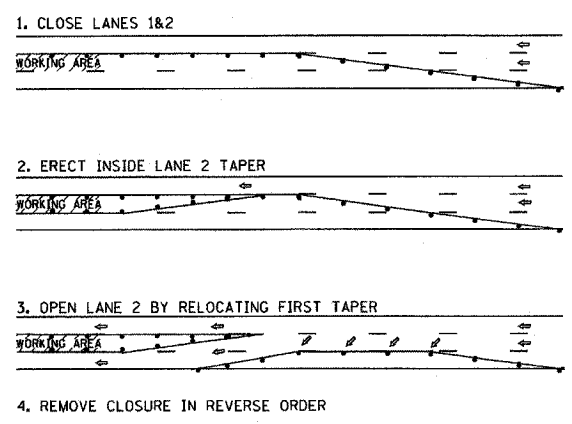
# CENTER LANE CLOSURE

TYPE I CHECK BARRICADES AT 100' (30 m) CENTERS



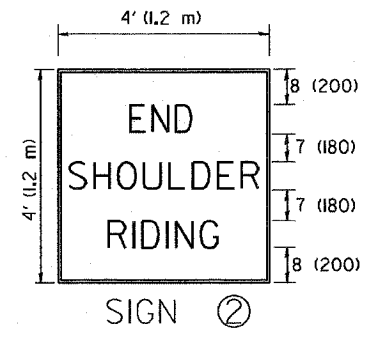
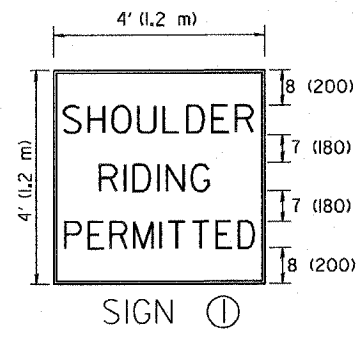
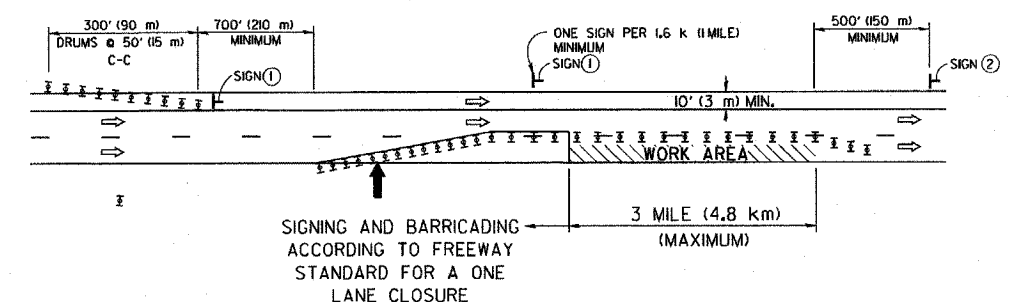
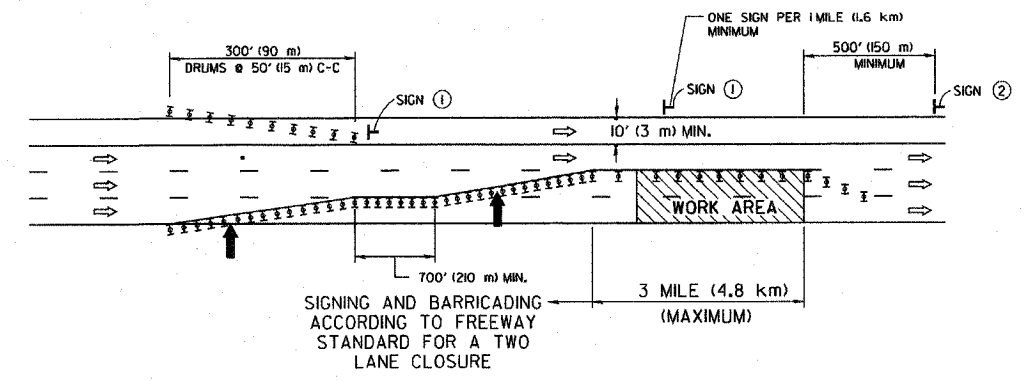
1. DAY OPERATIONS: CONES SHALL BE USED AT 25' (8 m) CENTERS ON TAPERS AND AT 50' (15 m) CENTERS ON TANGENTS.
2. NIGHT OPERATIONS: DRUMS WITH STEADY BURN LIGHTS SHALL BE USED AT 50' (15 m) CENTERS ON ALL TAPERS AND TANGENTS IN ADVANCE OF WORK AREA.
3. CLOSURE SHALL BE USED ONLY FOR OPERATIONS LASTING 72 HOURS OR LESS.

### INSTALLATION SEQUENCE



# SHOULDER LANE

NOTE: CLOSURE SHALL BE USED ONLY FOR OPERATIONS LASTING 72 HOURS OR LESS.



6 (150) SERIES "C" LEGEND  
BLACK LEGEND  
WHITE REFLECT. BACKGROUND  
1(25) BORDER

### SYMBOLS

- ↑ DIRECTION OF TRAFFIC
- ➔ ARROWBOARD
- ▨ WORK AREA
- ◇ SIGN WITH 18x18 (450x450) ORANGE FLAGS ATTACHED \*
- ⊥ SIGN ON PORTABLE OR PERMANENT SUPPORT \*
- ⊥ TYPE II BARRICADE, DRUM OR VERTICAL BARRICADE WITH MONO-DIRECTIONAL STEADY BURN LIGHT

ALL DIMENSIONS ARE IN INCHES (MILLIMETERS) UNLESS OTHERWISE SHOWN

\* ALL SIGNS SHALL BE MOUNTED AT A MINIMUM HEIGHT OF 5' (1.5 m).

REVISIONS	
NAME	DATE
PRIOR DETAILS ON TC-9 - JAF	4/03
SPB	1/07

ILLINOIS DEPARTMENT OF TRANSPORTATION  
**TRAFFIC CONTROL DETAILS FOR FREEWAY CENTER LANE CLOSURE SHOULDER LANE**

SCALE: NONE  
DATE: 1/4/2007

DRAWN BY R.H.  
CHECKED BY  
TC-25  
REVISION DATE: 01/01/07