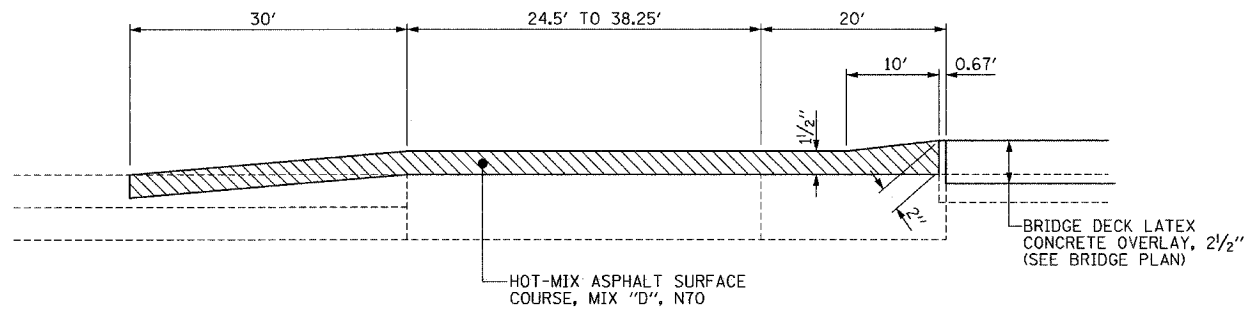
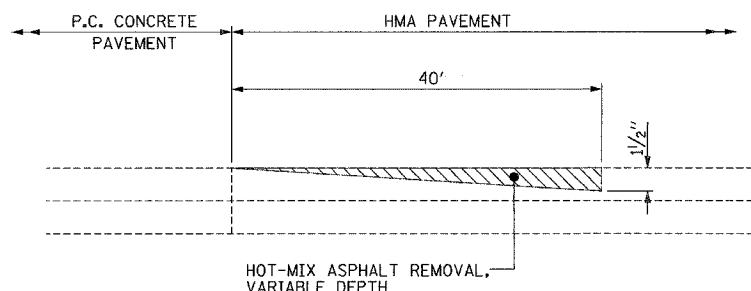


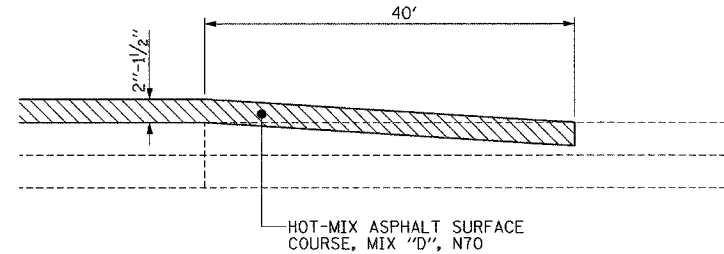
EXISTING SECTION A-A
N.T.S.



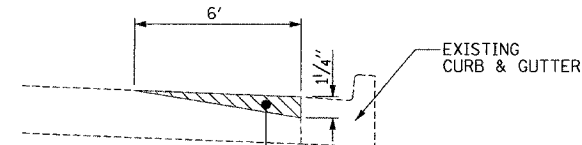
PROPOSED SECTION A-A
N.T.S.



EXISTING SECTION C-C
N.T.S.

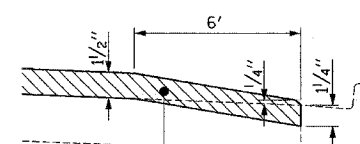


PROPOSED SECTION C-C
N.T.S.



PC CONCRETE SURFACE REMOVAL,
VARIABLE DEPTH OR
HOT-MIX ASPHALT REMOVAL,
VARIABLE DEPTH

EXISTING SECTION D-D
N.T.S.

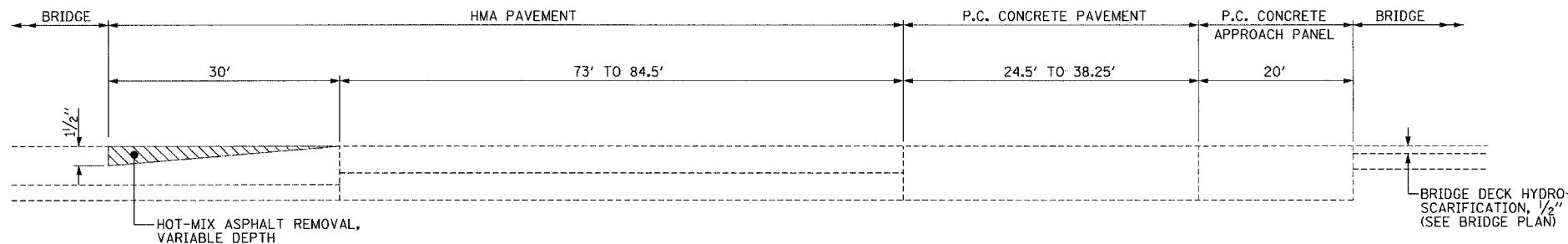


HOT-MIX ASPHALT SURFACE
COURSE, MIX "D", N70

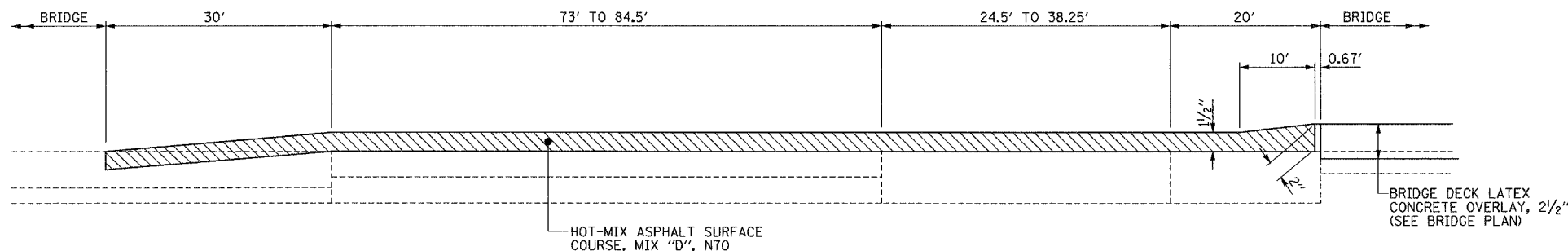
PROPOSED SECTION D-D
N.T.S.

NOTES:

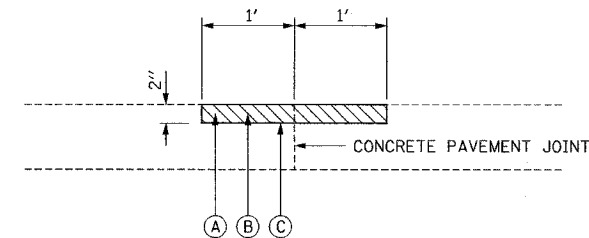
- REFER TO "HMA TAPER AT EDGE OF P.C.C. PAVEMENT" DETAIL.
- REMOVE 0-1/2" OF CROSSWALK RAMP SURFACE LOCATED ON ISLANDS.



EXISTING SECTION B-B
N.T.S.



PROPOSED SECTION B-B
N.T.S.



- (A) PARTIAL DEPTH REMOVAL, 2"
- (B) PARTIAL DEPTH PATCHING
- (C) STRIP REFLECTIVE CRACK CONTROL TREATMENT

PARTIAL DEPTH PATCHING
ALONG JOINT DETAIL
N.T.S.

H:\Jobs\2006\20063028-43\CAD\DOT Trans\ dgn\00\Roadway\sect-43_V8.dgn 3/25/2008 11:59 PM

FILE NAME =	USER NAME = _USER_	DESIGNED - MW	REVISED -
#FILE#		DRAWN - EUB	REVISED -
	PLOT SCALE = 10,000' / IN.	CHECKED - RJS	REVISED -
	PLOT DATE = 3/25/2008	DATE - 3/27/08	REVISED -

STATE OF ILLINOIS
DEPARTMENT OF TRANSPORTATION

ROADWAY SECTIONS

SCALE: NTS SHEET NO. OF 26 SHEETS STA. TO STA.

F.A.P. RTE. 541	SECTION	COUNTY	TOTAL SHEETS	SHEET NO.
	9 HB-1-1	LAKE	26	6
FED. ROAD DIST. NO. ILLINOIS FED. AID PROJECT			CONTRACT NO. 60D90	

GRAEF, ANHALT, SCHLOEMER & ASSOCIATES, INC.
CHICAGO, ILLINOIS