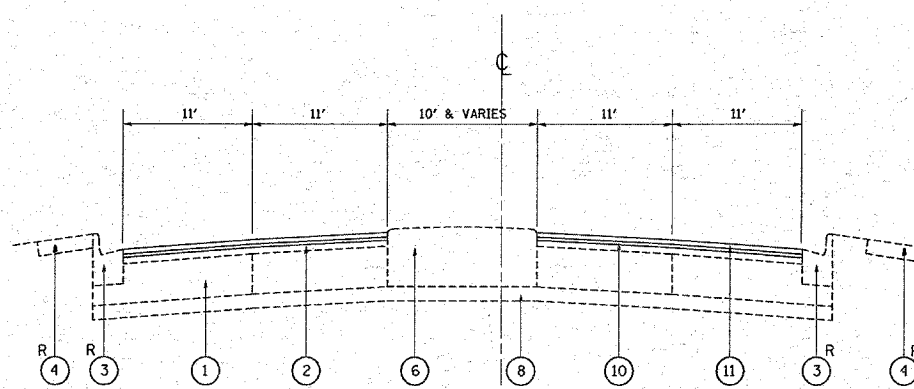


PROPOSED TYPICAL CROSS SECTION
STA. 31+28 TO 52+89

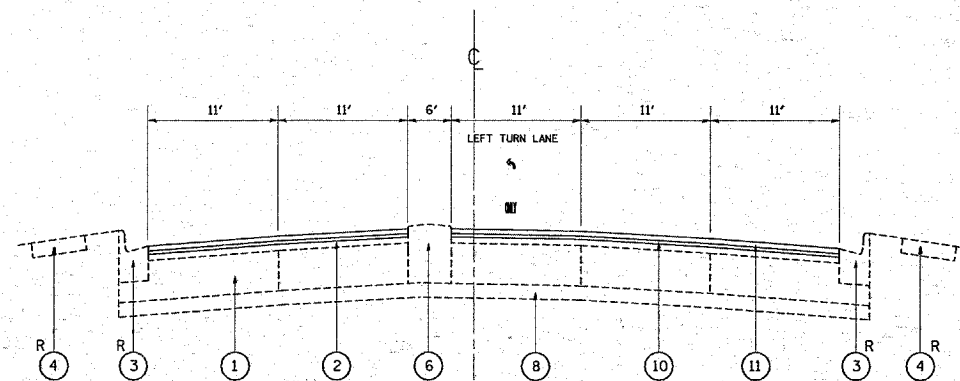
LEGEND:
* STA. 31+28 TO STA. 32+20
STA. 35+10 TO STA. 46+49
STA. 48+04 TO STA. 52+89
** STA. 32+20 TO STA. 33+18
STA. 34+16 TO STA. 35+10
STA. 47+07 TO STA. 48+05



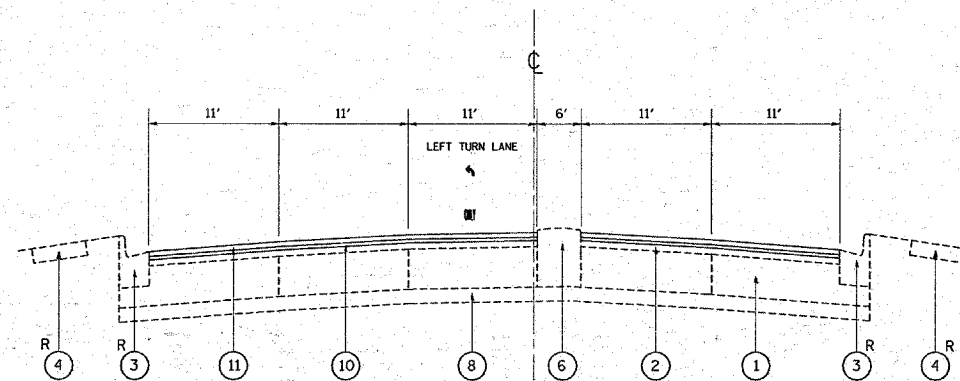
PROPOSED TYPICAL CROSS SECTION
STA. 52+89 TO 56+00

LEGEND:

- ① EXIST. P.C.C. PAVEMENT, ±9"
 - ② EXIST. HOT-MIX ASPHALT SURFACE, ±3"
 - ③ EXIST. COMB. CONC. CURB AND GUTTER, TYPE B-6.24
 - ④ EXIST. P.C.C. SIDEWALK
 - ⑤ EXIST. P.C.C. SHOULDER, 10'
 - ⑥ EXIST. CORRUGATED MEDIAN
 - ⑦ EXIST. BARRIER MEDIAN
 - ⑧ EXIST. STABILIZED SUB-BASE
 - ⑨ PROP. HOT-MIX ASPHALT SURFACE REMOVAL, 2½"
 - ⑩ PROP. POLYMERIZED LEVELING BINDER (MACHINE METHOD), SUPERPAVE, IL-4.75, N50, ¾"
 - ⑪ PROP. POLYMERIZED HOT-MIX ASPHALT SURFACE COURSE, MIX "F", N90, 1¾"
- R CURB AND GUTTER AND SIDEWALK REMOVAL AND REPLACEMENT
(LOCATION AS DIRECTED BY THE ENGINEER)



PROPOSED TYPICAL CROSS SECTION
STA. 56+00 TO 59+77



PROPOSED TYPICAL CROSS SECTION
STA. 59+77 TO 64+41

MIXTURE USE	AC/PG	DESIGN AIR VOIDS
CLASS "D" PATCHES, 9"	PG 64-22/58-22	4% @ 70
HMA BINDER COURSE, IL-19MM*	PG 64-22/58-22	4% @ 70
HOT-MIX ASPHALT REPLACEMENT OVER PATCHES, HMA BINDER COURSE, IL-19MM*	PG 64-22/58-22	4% @ 70
POLYMERIZED LEVELING BINDER (MACHINE METHOD), IL-4.75, N50	SBS/SBR PG 76-28/22	4% @ 50
POLYMERIZED HOT-MIX ASPHALT SURFACE COURSE, MIX "F", N90, IL-9.5MM	SBS/SBR PG 70-22	4% @ 90

NOTE:

THE UNIT WEIGHT USED TO CALCULATE ALL HOT-MIX ASPHALT SURFACE COURSE QUANTITIES IS 112 LBS./SQ. YD./ IN.

* WHEN RAP EXCEEDS 20% THE NEW ASPHALT BINDER IN THE MIX SHALL BE PG 58-22

FILE NAME =
c:\projects\dl13208\sh_rdwj.dgn

USER NAME = steedpa
PLOT SCALE = 50.0000' / IN.
PLOT DATE = 4/1/2008

DESIGNED -
DRAWN -
CHECKED -
DATE -

REVISED -
REVISED -
REVISED -
REVISED -

**STATE OF ILLINOIS
DEPARTMENT OF TRANSPORTATION**

PROPOSED TYPICAL CROSS SECTIONS
US 12/ 20 (95TH ST.)--US 45 (LA GRANGE RD.) TO I-294 (TRI-STATE TOLLWAY)
SCALE: SHEET NO. OF SHEETS STA. TO STA.

F.A.P. RTE.	SECTION	COUNTY	TOTAL SHEETS	SHEET NO.
029	29R-RS-3	COOK	33	7

CONTRACT NO. 60D94
FED. ROAD DIST. NO. 1 ILLINOIS FED. AID PROJECT