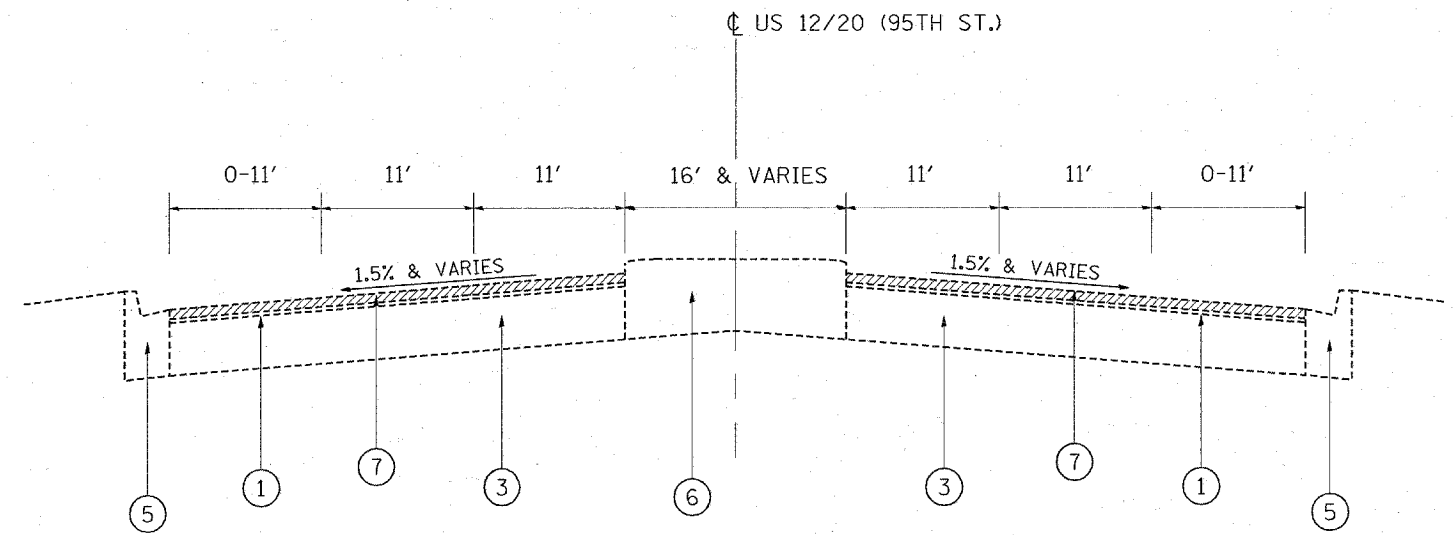
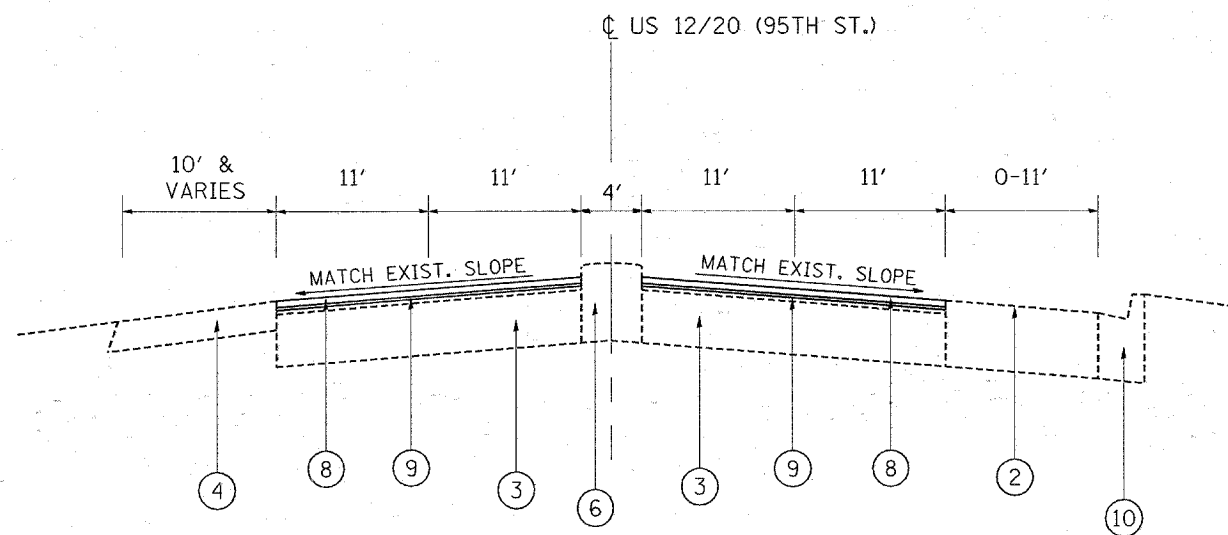


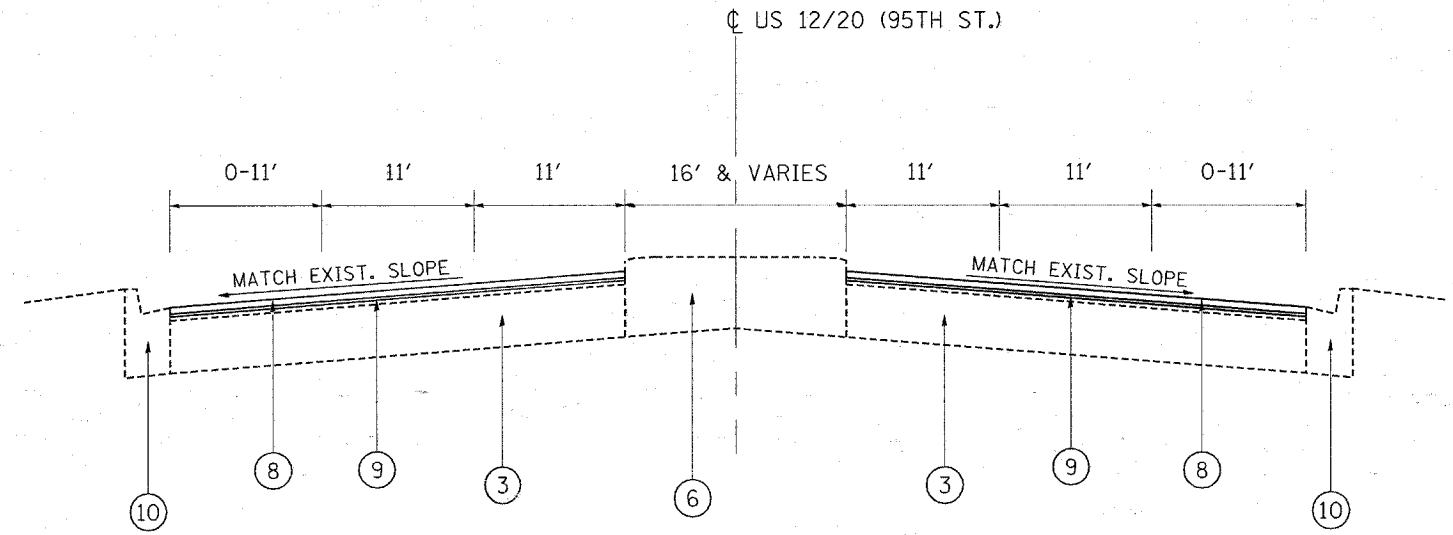
**EXISTING TYPICAL SECTION**  
**US 12/20 (95TH ST.)**  
**STA. 137+90 TO 146+52**



**EXISTING TYPICAL SECTION**  
**US 12/20 (95TH ST.)**  
**STA. 146+52 TO 180+76**



**PROPOSED TYPICAL SECTION**  
**US 12/20 (95TH ST.)**  
**STA. 137+90 TO 146+52**



**PROPOSED TYPICAL SECTION**  
**US 12/20 (95TH ST.)**  
**STA. 146+52 TO 180+76**

**LEGEND**

- ① EXIST. HMA PAVEMENT, 3"( $\pm$ )
- ② EXIST. P.C.C. PAVEMENT
- ③ EXIST. P.C.C. BASE COURSE, 9"( $\pm$ )
- ④ EXIST. HMA SHOULDER
- ⑤ EXIST. B-6.24 CURB & GUTTER
- ⑥ EXIST. P.C.C. MEDIAN (TO REMAIN)
- ⑦ PROP. HMA SURFACE REMOVAL, 2 1/2"
- ⑧ PROP. POLYMERIZED HMA SURFACE COURSE, MIX "F", N90, 1 3/4"
- ⑨ PROP. POLYMERIZED LEVELING BINDER (MM), N50, IL-4.75, 3/4"
- ⑩ PROP. COMBINATION CONC. CURB & GUTTER REMOVAL & REPLACEMENT (TO BE DETERMINED IN THE FIELD BY THE ENGINEER)

FILE NAME = c:\projects\dl13408\sh_rdw.dgn	USER NAME = smthkl	DESIGNED -	REVISED -	<b>STATE OF ILLINOIS</b> <b>DEPARTMENT OF TRANSPORTATION</b>	<b>US 12/20 (I-294 TO OAK PARK AVE.)</b> <b>EXISTING AND PROPOSED TYPICAL SECTIONS</b>	F.A.P. RTE. 029	SECTION 32.39 (B-X+C) 2-85-1	COUNTY COOK	TOTAL SHEETS 54	SHEET NO. 6
PLOT SCALE = 50.0000' / IN.	PLOT DATE = 4/1/2009	DRAWN -	REVISED -	SCALE:	SHEET NO. 4 OF 18 SHEETS	STA.	TO STA.	CONTRACT NO. 60996		
						FED. ROAD DIST. NO. 1 ILLINOIS FED. AID PROJECT				