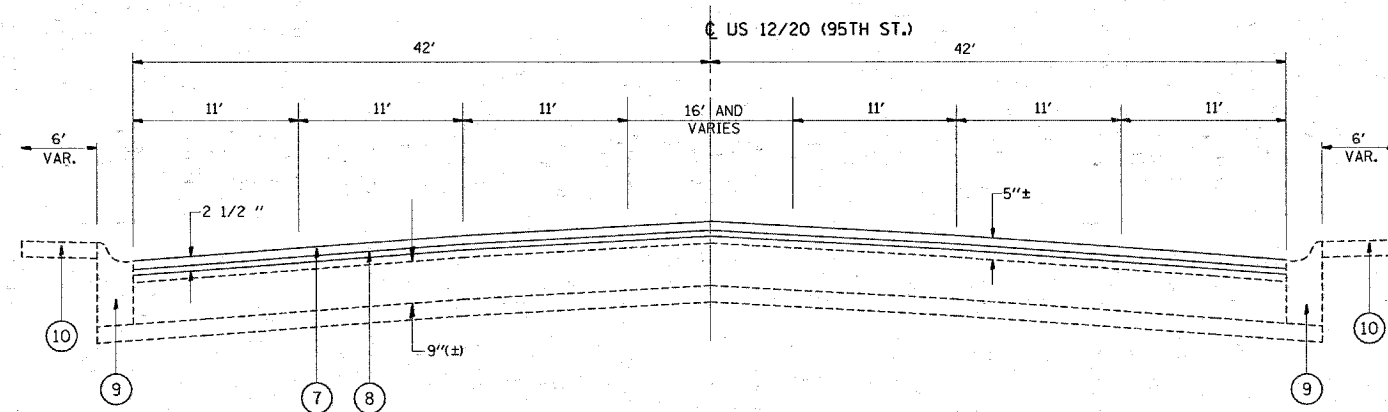


**EXISTING TYPICAL SECTION  
US 12/20 (95TH STREET)  
STA. 2+44 TO STA. 71+06**

**LEGEND**

- ① EXIST. SIDEWALK
- ② EXIST. B-6.12 CURB & GUTTER
- ③ EXIST. SUB-BASE
- ④ EXIST. HMA PAVEMENT, 5''(±)
- ⑤ EXIST. P.C.C. BASE COURSE, 9''(±)
- ⑥ PROP. HMA SURFACE REMOVAL, 2 1/2''
- ⑦ PROP. POLYMERIZED HMA SURFACE COURSE, MIX "F", N90, 1 3/4''
- ⑧ PROP. POLYMERIZED LEVELING BINDER (MM), N50, IL-4.75, 3/4''
- ⑨ PROP. COMBINATION CONC. CURB & GUTTER REMOVAL & REPLACEMENT (TO BE DETERMINED IN THE FIELD BY THE ENGINEER)
- ⑩ PROP. SIDEWALK REMOVAL AND REPLACEMENT (TO BE DETERMINED IN THE FIELD BY THE ENGINEER)



**PROPOSED TYPICAL SECTION  
US 12/20 (95TH STREET)  
STA. 2+44 TO STA. 71+06**

FILE NAME =  
c:\projects\dl13408\sh\_rdw.dgn

USER NAME = smithkl  
PLOT SCALE = 50.0000' / IN.  
PLOT DATE = 4/2/2008

DESIGNED -  
DRAWN -  
CHECKED -  
DATE -

REVISED -  
REVISED -  
REVISED -  
REVISED -

**STATE OF ILLINOIS  
DEPARTMENT OF TRANSPORTATION**

**US 12/20 (OAK PARK AVE. TO WESTERN AVE.)  
EXISTING AND PROPOSED TYPICAL SECTIONS**

SCALE: SHEET NO. OF SHEETS STA. TO STA.

F.A. RTE.	SECTION	COUNTY	TOTAL SHEETS	SHEET NO.
029	3239 (B-X&C) Z-RS-1	COOK	54	7
CONTRACT NO. 60D96				
FED. ROAD DIST. NO. 1   ILLINOIS FED. AID PROJECT				