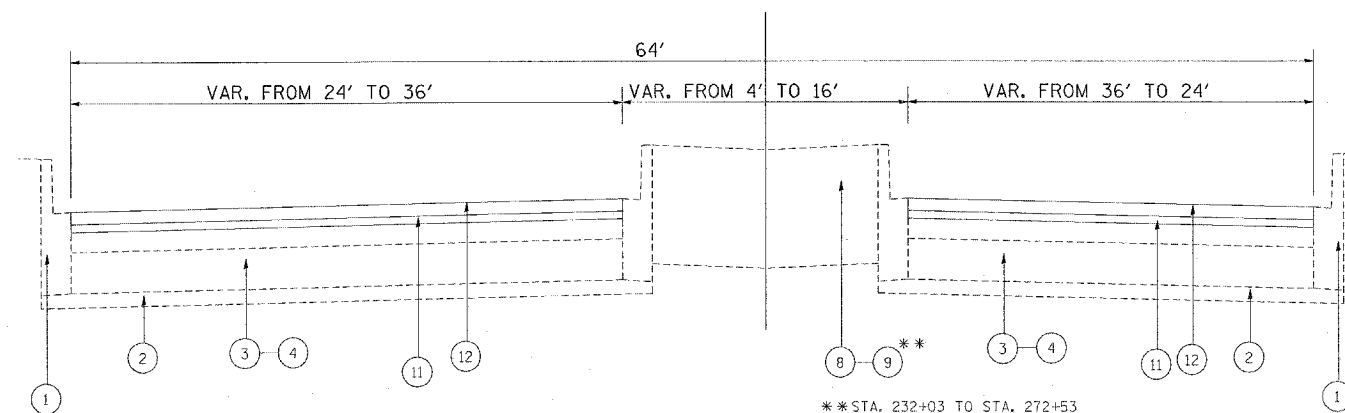


EXISTING TYPICAL SECTION
 ILL 53 (BOLINGBROOK DRIVE)
 STA. 46+98 TO STA. 75+00
 STA. 87+97 TO STA. 88+91
 STA. 142+15 TO STA. 148+67
 STA. 151+49 TO STA. 168+31
 STA. 172+00 TO STA. 173+94
 STA. 177+00 TO STA. 178+07
 STA. 181+00 TO STA. 196+45
 STA. 210+58 TO STA. 272+53

** STA. 232+03 TO STA. 272+53



PROPOSED TYPICAL SECTION
 ILL 53 (BOLINGBROOK DRIVE)
 STA. 46+98 TO STA. 75+00
 STA. 87+97 TO STA. 88+91
 STA. 142+15 TO STA. 148+67
 STA. 151+49 TO STA. 168+31
 STA. 172+00 TO STA. 173+94
 STA. 177+00 TO STA. 178+07
 STA. 181+00 TO STA. 196+45
 STA. 210+58 TO STA. 272+53

** STA. 232+03 TO STA. 272+53

LEGEND

- 1 EXISTING COMBINATION CONCRETE CURB AND GUTTER
- 2 EXISTING SUB-GRADE
- 3 EXISTING HOT-MIX ASPHALT BASE COURSE 10"
(NOTE: BETWEEN STA. 117+49 TO 272+53)
- 4 EXISTING PCC BASE COURSE 9"
(NOTE: BETWEEN 46+98 TO 100+96)
- 5 EXISTING PCC BASE COURSE 10"
- 6 EXISTING HOT-MIX ASPHALT OVERLAY
- 7 EXISTING HMA SHOULDER 8"
- 8 EXISTING P.C. CONCRETE BARRIER MEDIAN (PLANTED MEDIAN)
- ** 9 EXISTING ASPHALT MOUNTABLE MEDIAN
- 10 PROPOSED HOT-MIX ASPHALT SURFACE REMOVAL, 2 1/2"
- 11 PROPOSED POLYMERIZED LEVELING BINDER (MACHINE METHOD),
IL-4.75, N50, 3/4"
- 12 PROPOSED POLYMERIZED HOT-MIX ASPHALT SURFACE COURSE,
MIX "F", N90, 1 3/4"

HOT-MIX ASPHALT MIXTURE REQUIREMENTS

| MIXTURE USES | POLYMERIZED LEVELING BINDER (MACHINE METHOD), IL-4.75, N50 | POLYMERIZED HOT-MIX ASPHALT SURFACE, MIX "F", N90 (IL-9.5 MM) | HOT-MIX ASPHALT REPLACEMENT OVER PATCHES (BINDER IL-19MM) | CLASS D PATCHES (HMA BINDER IL-19MM) |
|------------------|--|---|---|---|
| AC/PG | SBS/SBR PG 76-28/22 | SBS/SBR PG 70-22 | PG 64-22 * | PG 64-22 * |
| DESIGN AIR VOIDS | 4.0% @ 50 GYR | 4.0% @ 90 GYR | 4% @ 70 GYR | 4% @ 70 GYR |

THE UNIT WEIGHT USED TO CALCULATE ALL HOT-MIX ASPHALT SURFACE MIX QUANTITIES IS 112 LBS/SY/IN
 * WHEN RAP EXCEEDS 20%, THE NEW ASPHALT BINDER SHALL BE PG 58/22

**STATE OF ILLINOIS
 DEPARTMENT OF TRANSPORTATION**

**ILL 53 (BOLINGBROOK DRIVE)
 TYPICAL SECTIONS**

FILE NAME =
 c:\projects\dl16908\dl16908.dgn

USER NAME = abreuah
 PLOT SCALE = 50.0000' / IN.
 PLOT DATE = 2/28/2008

DESIGNED -
 DRAWN -
 CHECKED -
 DATE -

REVISED -
 REVISED -
 REVISED -
 REVISED -

SCALE: SHEET NO. OF SHEETS STA. 17+49 TO STA. 172+53

| F.A.P. RTE. | SECTION | COUNTY | TOTAL SHEETS | SHEET NO. |
|-------------|----------|--------|--------------|-----------|
| 870 | 534 RS-3 | WILL | 41 | 4 |

CONTRACT NO. 60E08
 FED. ROAD DIST. NO. 1 ILLINOIS FED. AID PROJECT