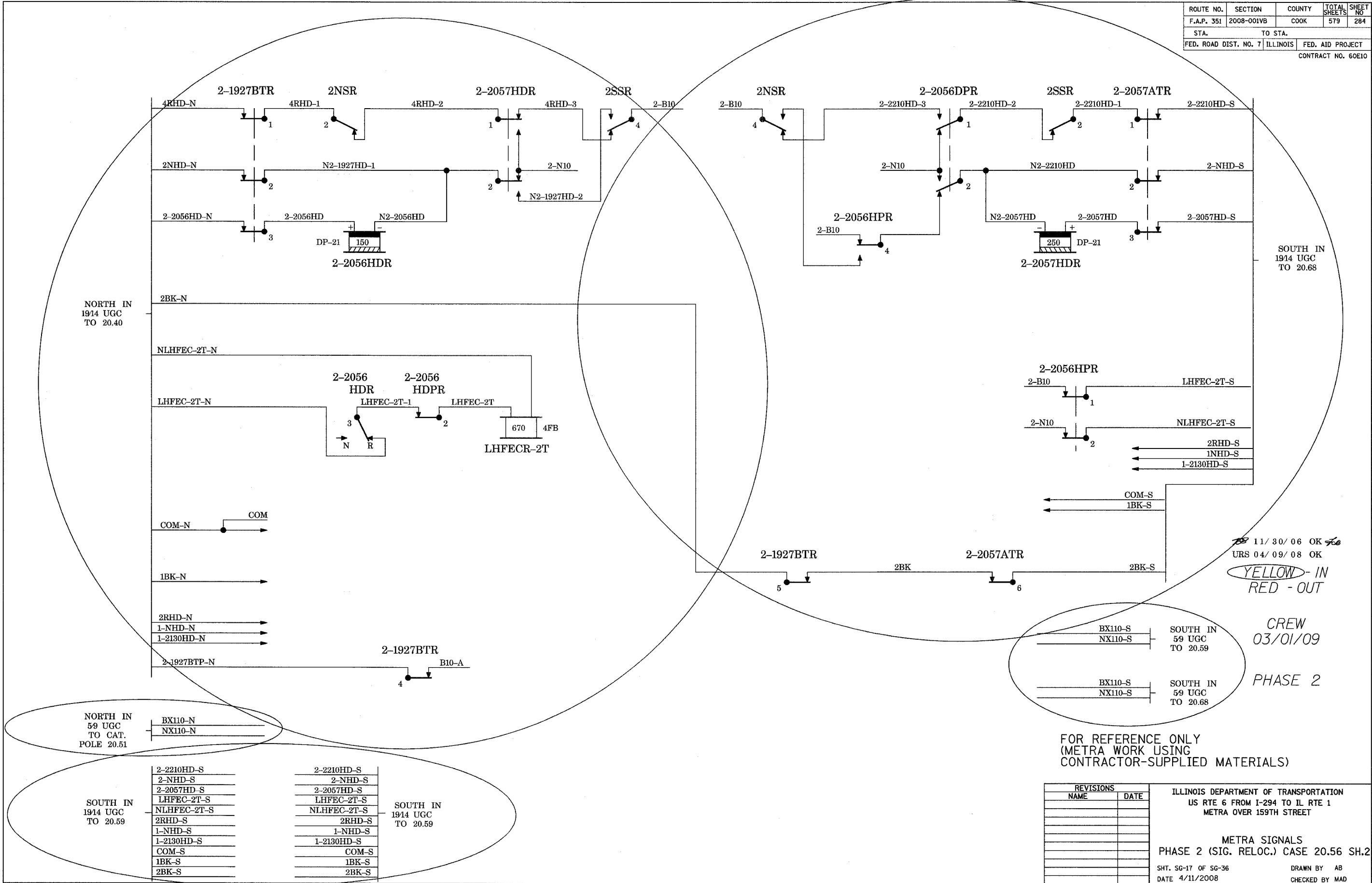


ROUTE NO.	SECTION	COUNTY	TOTAL SHEETS	SHEET NO
F.A.P. 351	2008-001VB	COOK	579	284
STA.	TO STA.			
FED. ROAD DIST. NO. 7	ILLINOIS	FED. AID PROJECT		
CONTRACT NO. 60E10				

4/14/2008 11:43:57 AM

qt:\17049\069\signal work for metro\plans\17\_ref.dgn



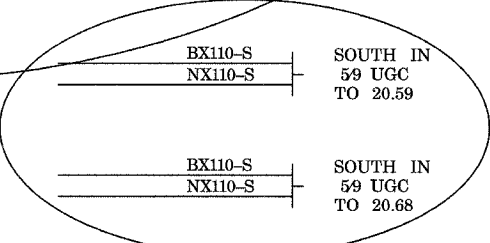
NORTH IN  
1914 UGC  
TO 20.40

SOUTH IN  
1914 UGC  
TO 20.68

NORTH IN  
59 UGC  
TO CAT.  
POLE 20.51

SOUTH IN  
1914 UGC  
TO 20.59

2-2210HD-S	2-2210HD-S	SOUTH IN 1914 UGC TO 20.59
2-NHD-S	2-NHD-S	
2-2057HD-S	2-2057HD-S	
LHFEC-2T-S	LHFEC-2T-S	
NLHFEC-2T-S	NLHFEC-2T-S	
2RHD-S	2RHD-S	
1-NHD-S	1-NHD-S	
1-2130HD-S	1-2130HD-S	
COM-S	COM-S	
1BK-S	1BK-S	
2BK-S	2BK-S	



11/30/06 OK ~~to~~  
URS 04/09/08 OK

YELLOW - IN  
RED - OUT

CREW  
03/01/09

PHASE 2

FOR REFERENCE ONLY  
(METRA WORK USING  
CONTRACTOR-SUPPLIED MATERIALS)

REVISIONS	
NAME	DATE

ILLINOIS DEPARTMENT OF TRANSPORTATION  
US RTE 6 FROM I-294 TO IL RTE 1  
METRA OVER 159TH STREET

METRA SIGNALS  
PHASE 2 (SIG. RELOC.) CASE 20.56 SH.2

SHT. SG-17 OF SG-36  
DATE 4/11/2008

DRAWN BY AB  
CHECKED BY MAD