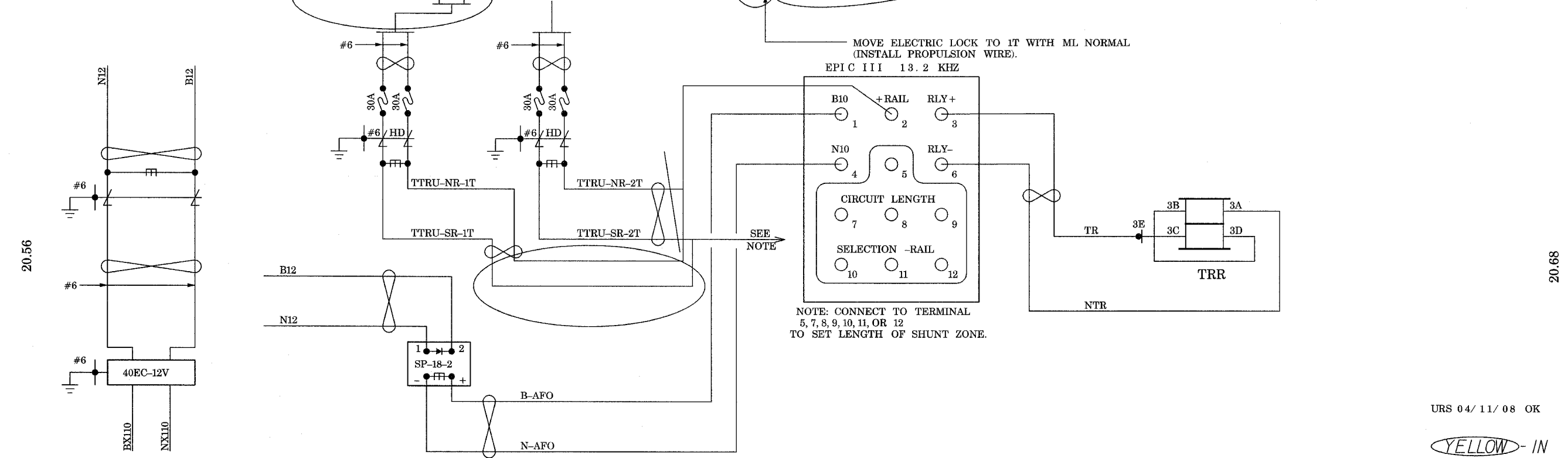
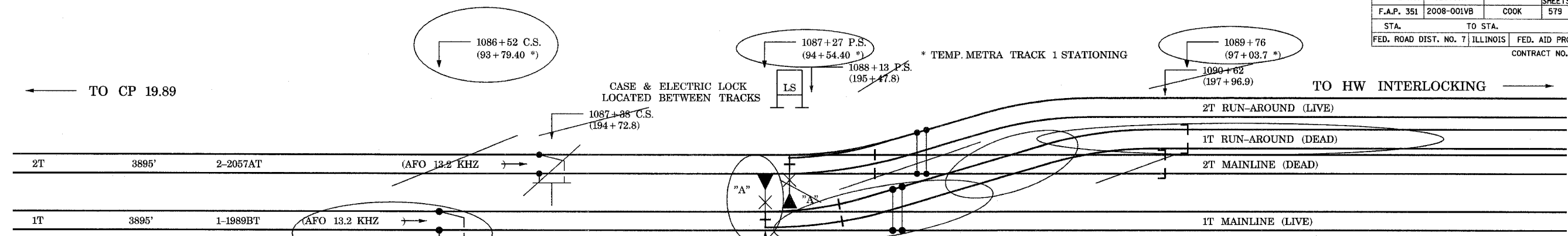
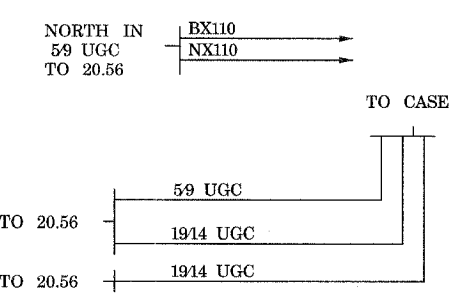


ROUTE NO.	SECTION	COUNTY	TOTAL SHEETS	SHEET NO
F.A.P. 351	2008-001VB	COOK	579	296
STA.	TO STA.			
FED. ROAD DIST. NO. 7	ILLINOIS	FED. AID PROJECT		
CONTRACT NO. 60E10				



NOTE: CONNECT TO TERMINAL 5, 7, 8, 9, 10, 11, OR 12 TO SET LENGTH OF SHUNT ZONE.

- | | | | |
|----------------------------------|----------------------------------------------------------------------------------------------------------------------------------------------------------------------------------------------------------------------------------------------|----------------------------------|----------------------------------------------------------------------------------------------------------------------------------------------------------------------------------------------------------------------------------------------|
| NORTH IN
1914 UGC
TO 20.56 | <ul style="list-style-type: none"> 2-2210HD-N 2-NHD-N 2-2057HD-N LHFEC-2T-N NLHFEC-2T-N 2RHD-N 1-NHD-N 1-2130HD-N COM-N 1BK-N 2BK-N | NORTH IN
1914 UGC
TO 20.56 | <ul style="list-style-type: none"> 2-2210HD-S 2-NHD-S 2-2057HD-S LHFEC-2T-S NLHFEC-2T-S 2RHD-S 1-NHD-S 1-2130HD-S COM-S 1BK-S 2BK-S |
|----------------------------------|----------------------------------------------------------------------------------------------------------------------------------------------------------------------------------------------------------------------------------------------|----------------------------------|----------------------------------------------------------------------------------------------------------------------------------------------------------------------------------------------------------------------------------------------|



URS 04/11/08 OK

~~YELLOW~~ - IN
RED - OUT

CREW
08/25/09

PHASE 5

FOR REFERENCE ONLY
(METRA WORK USING
CONTRACTOR-SUPPLIED MATERIALS)

REVISIONS	
NAME	DATE

ILLINOIS DEPARTMENT OF TRANSPORTATION
US RTE 6 FROM I-294 TO IL RTE 1
METRA OVER 159TH STREET

METRA SIGNALS
PHASE 5 (STAGE 3 & 4) CASE 20.59

SHT. 56-29 OF 56-36
DATE 4/11/2008

DRAWN BY AB
CHECKED BY MAD

4/14/2008 11:44:02 AM

q:\17049\069\signal work for metra\plans\29_ref.dgn