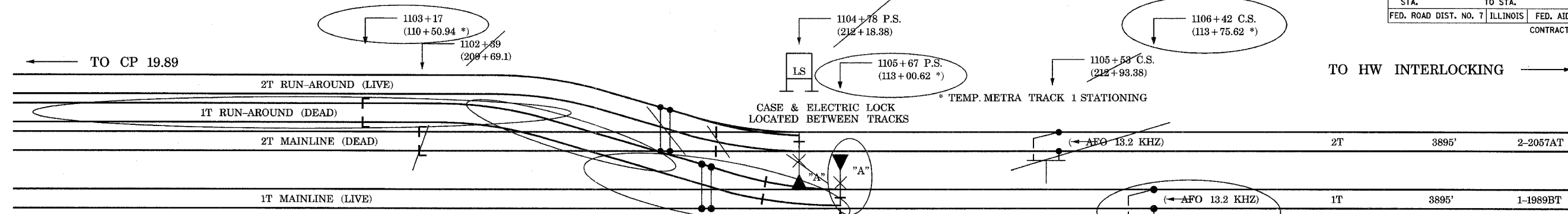
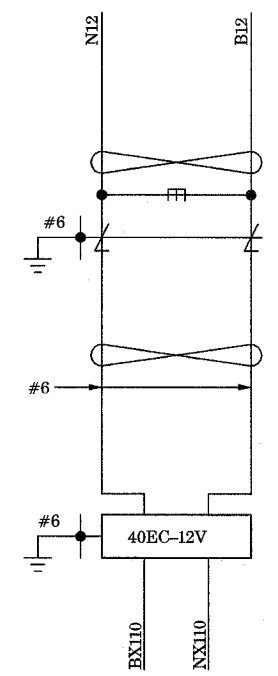


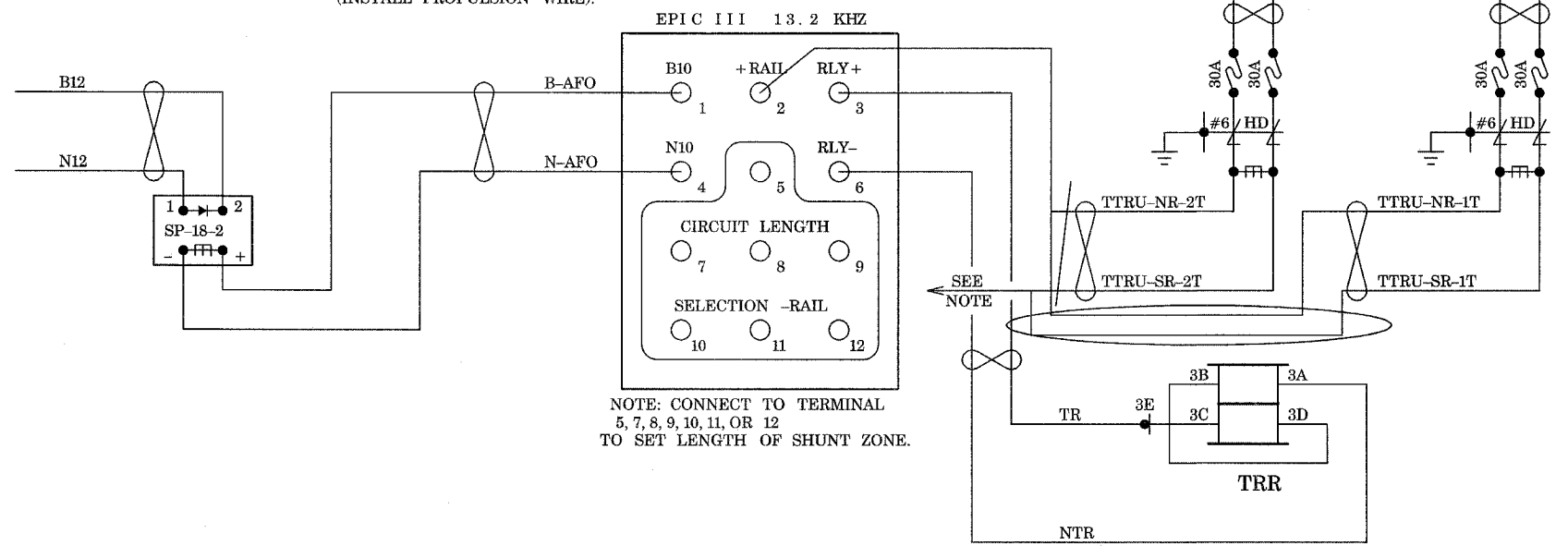
ROUTE NO.	SECTION	COUNTY	TOTAL SHEETS	SHEET NO
F.A.P. 351	2008-001VB	COOK	579	297
STA.	TO STA.		FED. AID PROJECT	
FED. ROAD DIST. NO. 7	ILLINOIS		CONTRACT NO. 60E10	



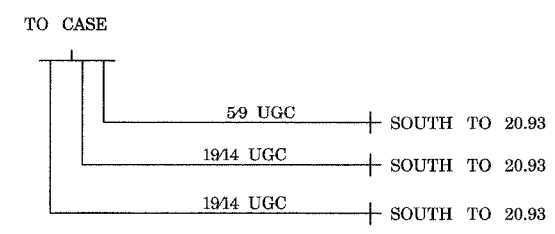
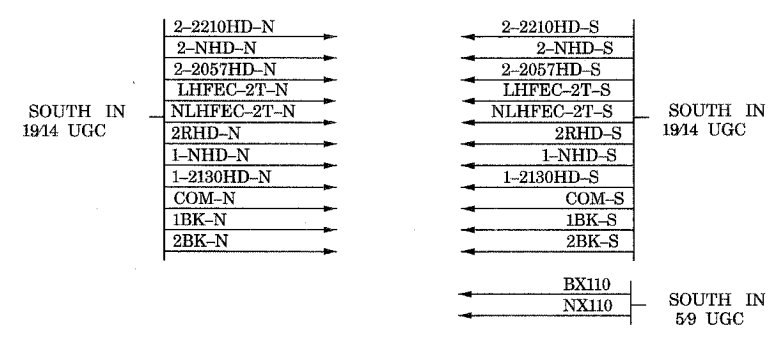
20.74



MOVE ELECTRIC LOCK TO 1T WITH ML NORMAL
(INSTALL PROPULSION WIRE).



NOTE: CONNECT TO TERMINAL
5, 7, 8, 9, 10, 11, OR 12
TO SET LENGTH OF SHUNT ZONE.



URS 04/11/08 OK

YELLOW - IN
RED - OUT

CREW
08/25/09
PHASE 5

FOR REFERENCE ONLY
(METRA WORK USING
CONTRACTOR-SUPPLIED MATERIALS)

REVISIONS	
NAME	DATE

ILLINOIS DEPARTMENT OF TRANSPORTATION
US RTE 6 FROM I-294 TO IL RTE 1
METRA OVER 159TH STREET

METRA SIGNALS
PHASE 5 (STAGE 3 & 4) CASE 20.91

SHT. SG-30 OF SG-36
DATE 4/11/2008

DRAWN BY AB
CHECKED BY MAD

4/14/2008 11:44:03 AM

q:\17049\069\signal work for metra\plans\30_ref.dgn

20.93