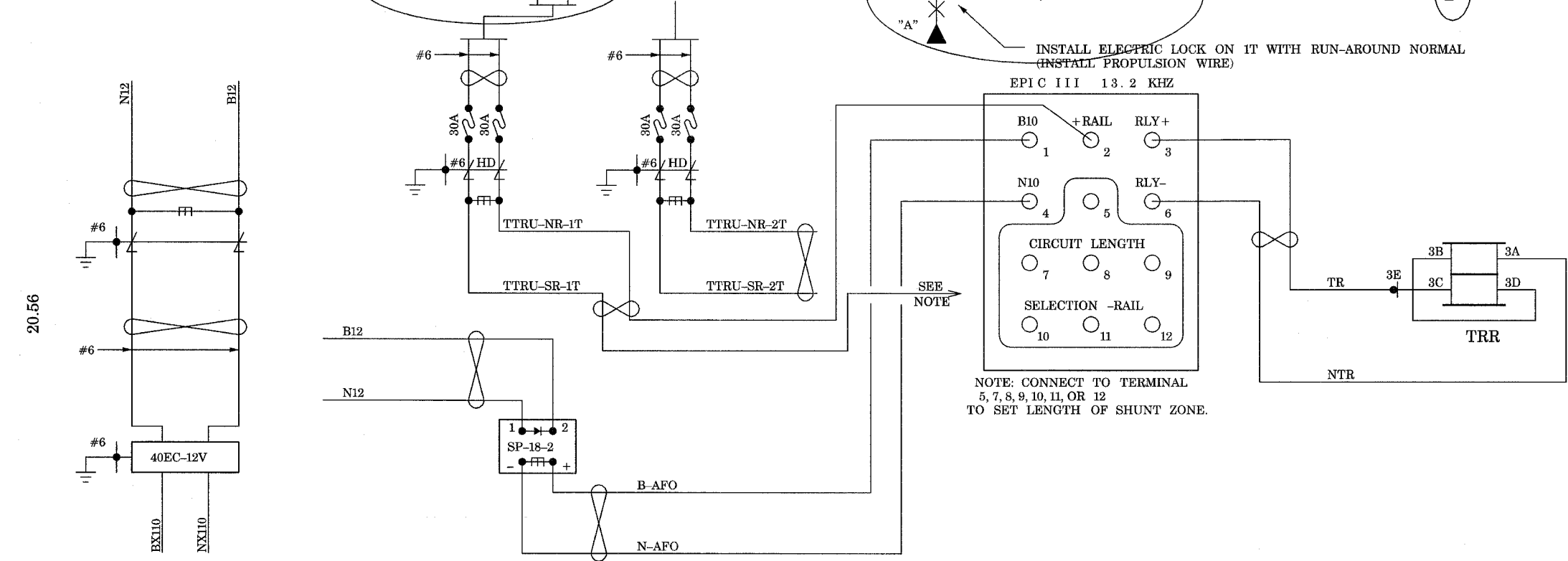
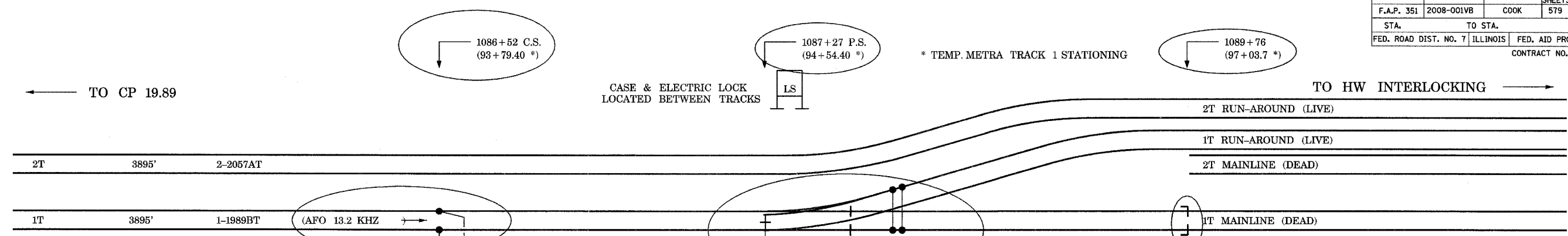
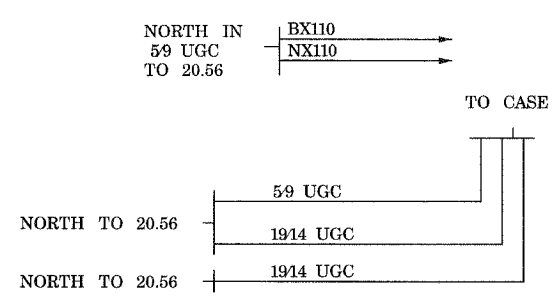


ROUTE NO.	SECTION	COUNTY	TOTAL SHEETS	SHEET NO
F.A.P. 351	2008-001WB	COOK	579	300
STA.	TO STA.			
FED. ROAD DIST. NO. 7	ILLINOIS	FED. AID PROJECT		
CONTRACT NO. 60E10				



- |                                  |  |                                  |  |
|----------------------------------|--|----------------------------------|--|
| NORTH IN<br>1914 UGC<br>TO 20.56 | <ul style="list-style-type: none"> <li>2-2210HD-N</li> <li>2-NHD-N</li> <li>2-2057HD-N</li> <li>LHFEC-2T-N</li> <li>NLHFEC-2T-N</li> <li>2RHD-N</li> <li>1-NHD-N</li> <li>1-2130HD-N</li> <li>COM-N</li> <li>1BK-N</li> <li>2BK-N</li> </ul> | NORTH IN<br>1914 UGC<br>TO 20.56 | <ul style="list-style-type: none"> <li>2-2210HD-S</li> <li>2-NHD-S</li> <li>2-2057HD-S</li> <li>LHFEC-2T-S</li> <li>NLHFEC-2T-S</li> <li>2RHD-S</li> <li>1-NHD-S</li> <li>1-2130HD-S</li> <li>COM-S</li> <li>1BK-S</li> <li>2BK-S</li> </ul> |
|----------------------------------|--|----------------------------------|--|



URS 04/11/08 OK

**YELLOW** - IN  
**RED** - OUT

CREW  
03/28/10

PHASE 9

FOR REFERENCE ONLY  
(METRA WORK USING  
CONTRACTOR-SUPPLIED MATERIALS)

REVISIONS	
NAME	DATE

ILLINOIS DEPARTMENT OF TRANSPORTATION  
US RTE 6 FROM I-294 TO IL RTE 1  
METRA OVER 159TH STREET

METRA SIGNALS  
PHASE 9 (STAGE 6) CASE 20.59

SHT. SG-33 OF SG-36      DRAWN BY AB  
DATE 4/11/2008      CHECKED BY MAD

4/14/2008 11:44:04 AM

q:\17249\059\signal work for metra\plans\33\_ref.dgn