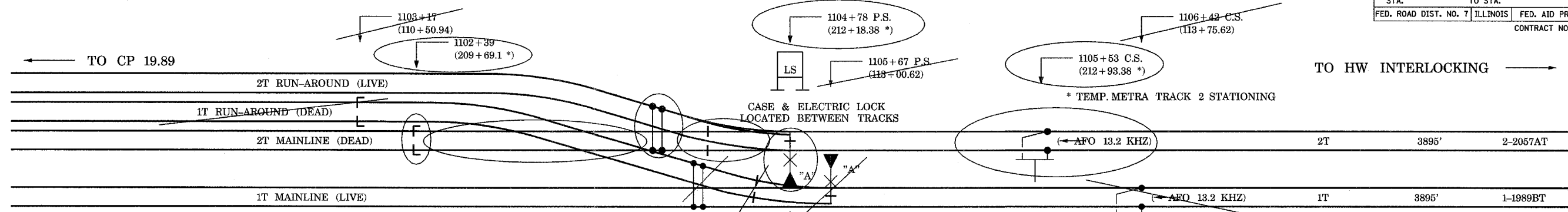
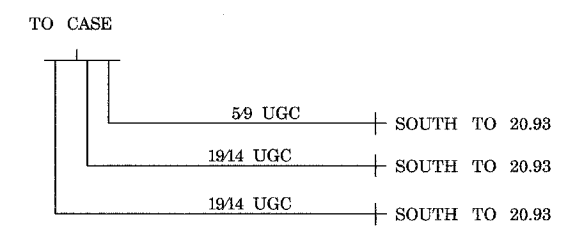
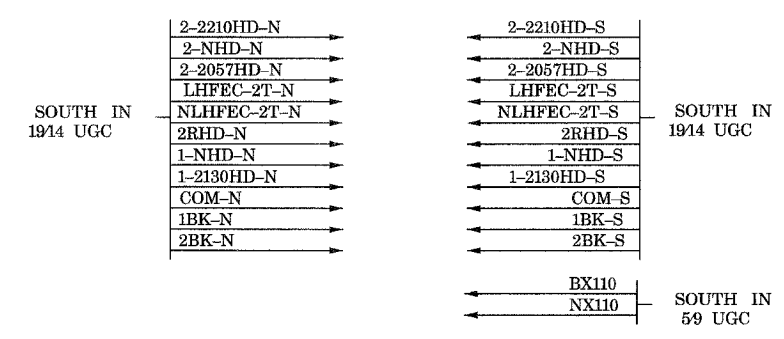
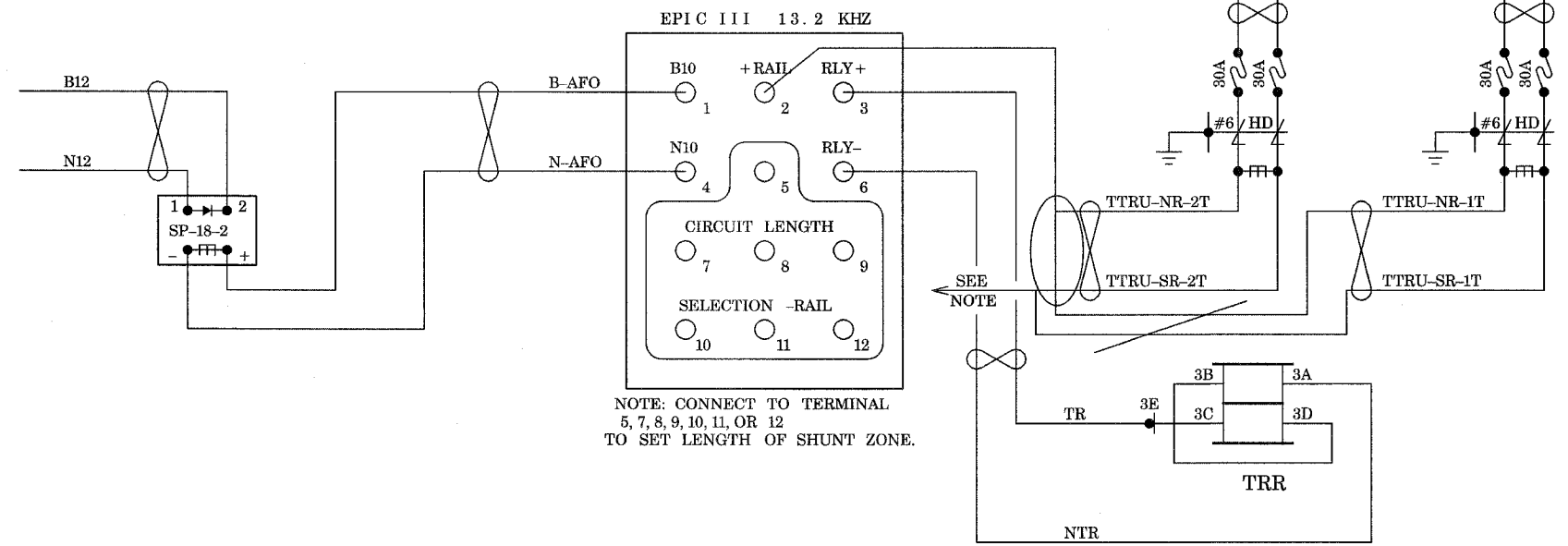
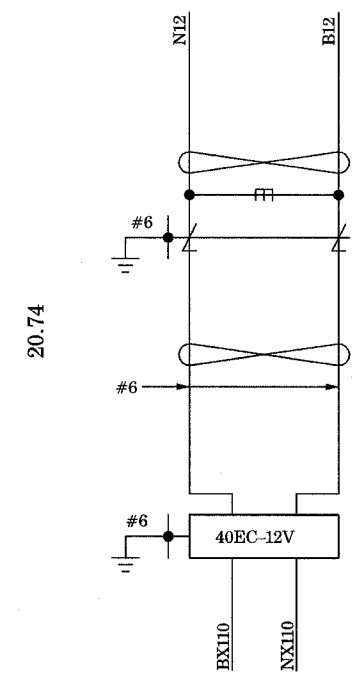


ROUTE NO.	SECTION	COUNTY	TOTAL SHEETS	SHEET NO.
F.A.P. 351	2008-001VB	COOK	579	303
STA.		TO STA.		
FED. ROAD DIST. NO. 7		ILLINOIS	FED. AID PROJECT	
CONTRACT NO. 60E10				



MOVE ELECTRIC LOCK TO 2T WITH RUN-AROUND NORMAL (INSTALL PROPULSION WIRE).



URS 04/11/08 OK

YELLOW - IN
RED - OUT

CREW
05/26/10

PHASE II

FOR REFERENCE ONLY
(METRA WORK USING
CONTRACTOR-SUPPLIED MATERIALS)

REVISIONS	
NAME	DATE

ILLINOIS DEPARTMENT OF TRANSPORTATION
US RTE 6 FROM I-294 TO IL RTE 1
METRA OVER 159TH STREET

METRA SIGNALS
PHASE 11 (STAGE 7) CASE 20.91

SHT. 5G-36 OF 5G-36 DRAWN BY AB
DATE 4/11/2008 CHECKED BY MAD

4/14/2008 11:44:06 AM

q:\17049\signal work for metra\plans\36_ref.dgn