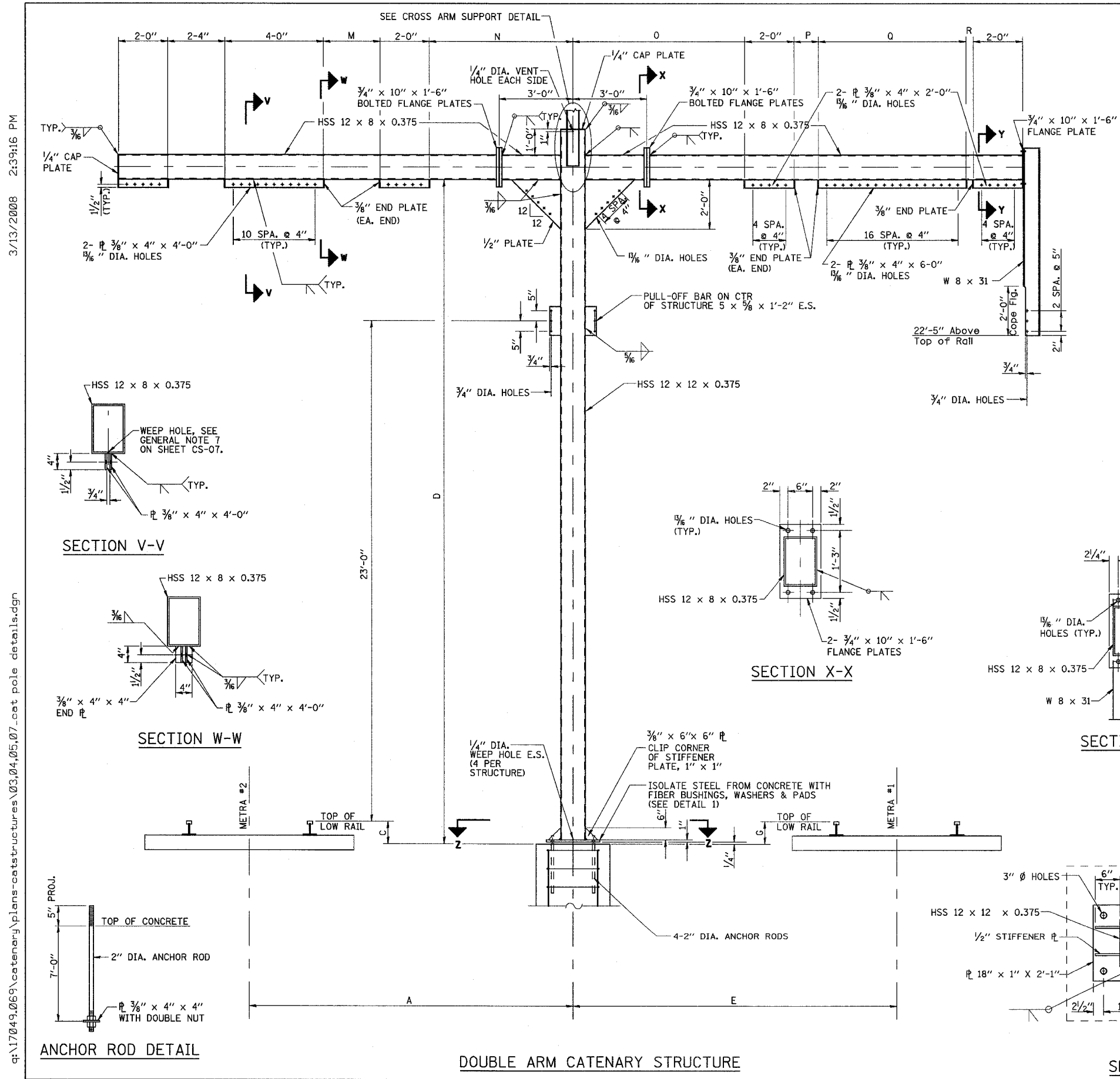


3/13/2008 2:39:16 PM

q:\17049\catenary\plans-catstructures\03,04,05,07_cat pole details.dgn



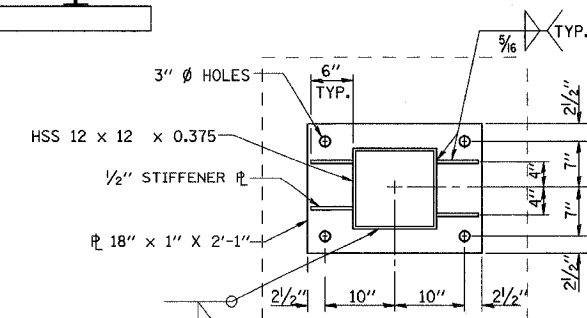
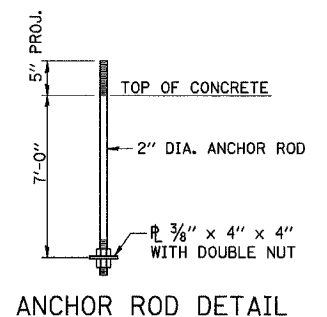
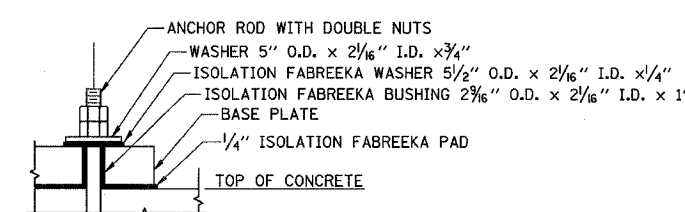
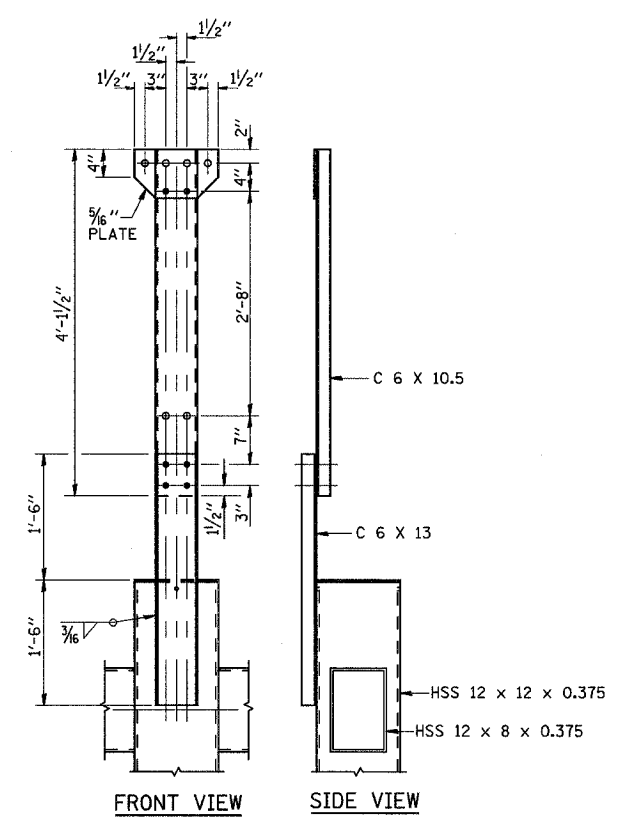
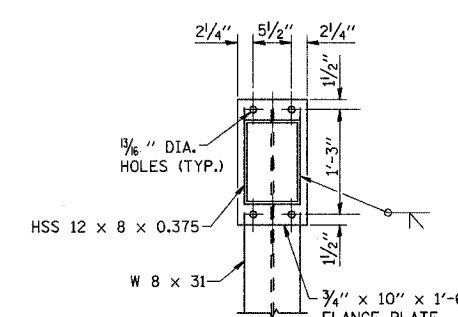
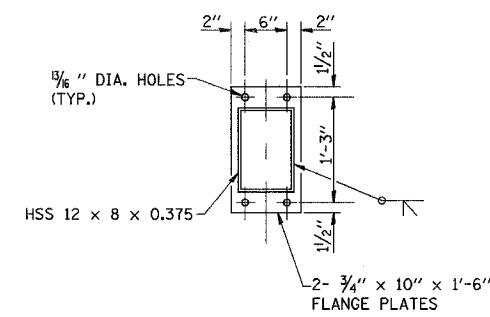
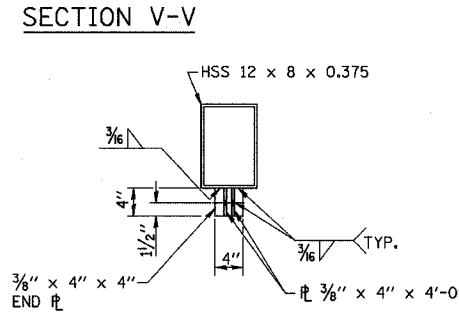
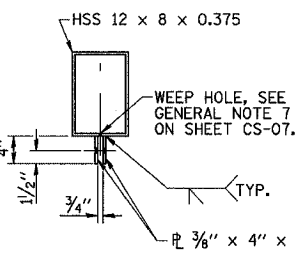
NOTE:

1. FOR GENERAL NOTES, STRUCTURE LOCATIONS AND DIMENSIONS A THRU G, SEE SHEET 5 OF 5.

| | | | | |
|-----------------------|------------|------------------|--------------|-----------|
| ROUTE NO. | SECTION | COUNTY | TOTAL SHEETS | SHEET NO. |
| F.A.P. 351 | 2008-001VB | COOK | 579 | 306 |
| STA. | | TO STA. | | |
| FED. ROAD DIST. NO. 7 | | ILLINOIS | | |
| | | FED. AID PROJECT | | |
| CONTRACT NO. 60E10 | | | | |

| STRUCTURE NUMBER | M | N | O | P | Q | R |
|------------------|-----------|------------|------------|-------|-------|-----------|
| 2 ** | 3'-5 1/2" | 5'-4 1/8" | 6'-6 1/2" | 3'-0" | 4'-0" | 2'-2 3/8" |
| 11 ** | 2'-3 5/8" | 5'-10 1/4" | 6'-11 7/8" | 1'-0" | 6'-0" | 0'-3 5/8" |

** DENOTES PERMANENT STRUCTURE



DOUBLE ARM CATENARY STRUCTURE

SECTION Z-Z

| REVISIONS | |
|-----------|------|
| NAME | DATE |
| | |
| | |
| | |
| | |
| | |
| | |
| | |
| | |
| | |

ILLINOIS DEPARTMENT OF TRANSPORTATION
 US RTE 6 FROM I-294 TO IL RTE 1
 METRA OVER 159TH ST
**CATENARY STRUCTURES
 SUPPORT STRUCTURES
 #2 & #11**

SHT. CS-03 OF CS-17
 DATE 2/21/2008
 DRAWN BY BKN
 CHECKED BY GAC