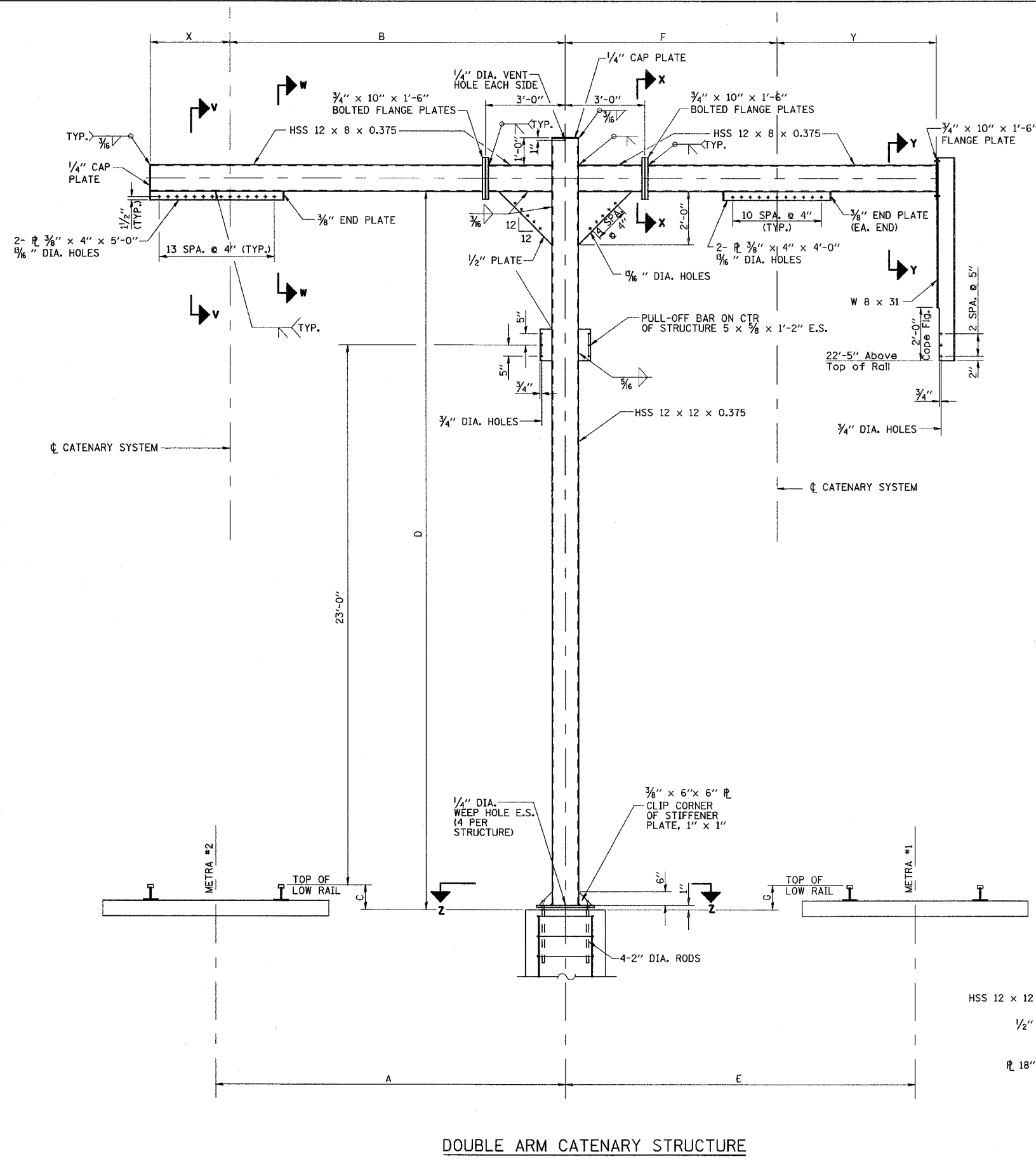


3/13/2008 2:39:16 PM

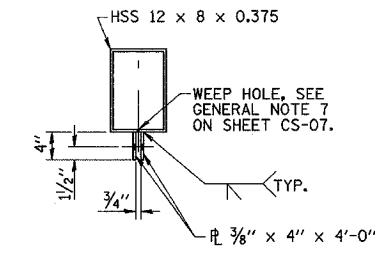
q:\17049\069\catenary\plans-catstructures\03,04,05,07_cat pole details.dgn



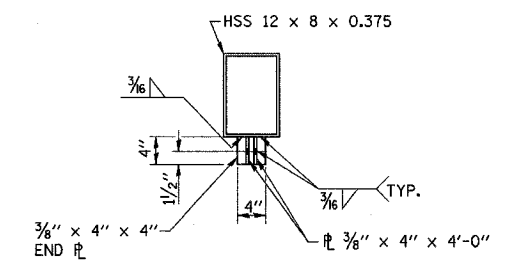
DOUBLE ARM CATENARY STRUCTURE

NOTE:
1. FOR GENERAL NOTES, STRUCTURE LOCATIONS AND DIMENSIONS A THRU G & X & Y, SEE SHEET 5 OF 5.

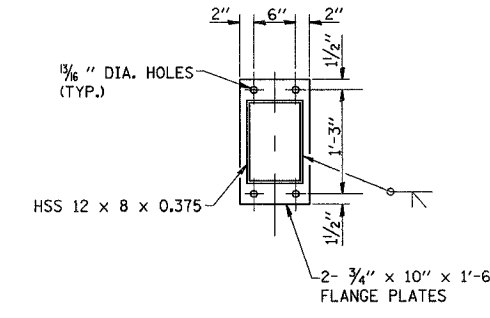
ROUTE NO.	SECTION	COUNTY	TOTAL SHEETS	SHEET NO.
F.A.P. 351	2008-001VB	COOK	579	307
STA.		TO STA.		
FED. ROAD DIST. NO. 7		ILLINOIS FED. AID PROJECT		
CONTRACT NO. 60E10				



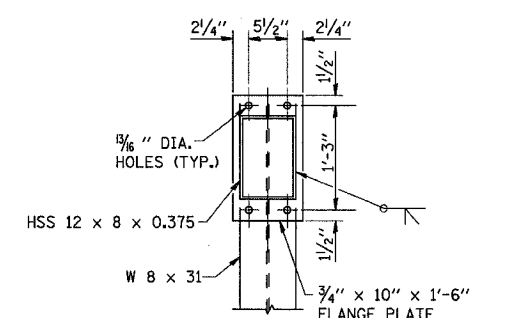
SECTION V-V



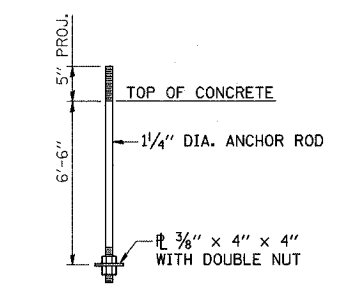
SECTION W-W



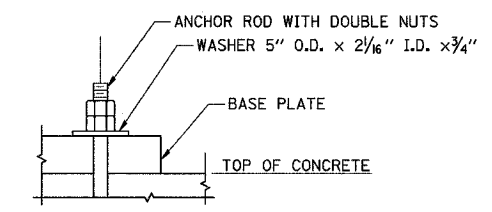
SECTION X-X



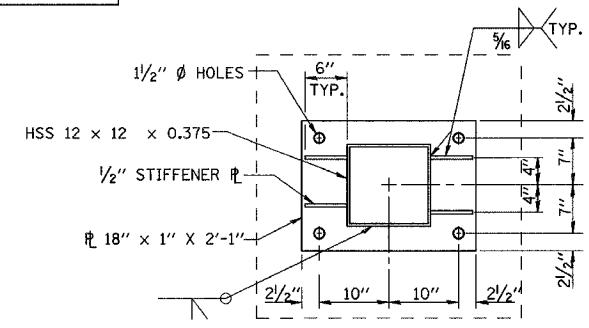
SECTION Y-Y



ANCHOR ROD DETAIL



DETAIL AT BASE PLATE



SECTION Z-Z

REVISIONS	
NAME	DATE

ILLINOIS DEPARTMENT OF TRANSPORTATION
US RTE 6 FROM I-294 TO IL RTE 1
METRA OVER 159TH ST
**CATENARY STRUCTURES
SUPPORT STRUCTURES
#3 & #10**

SHT. CS-04 OF CS-17
DATE 2/21/2008
DRAWN BY BKN
CHECKED BY GAC