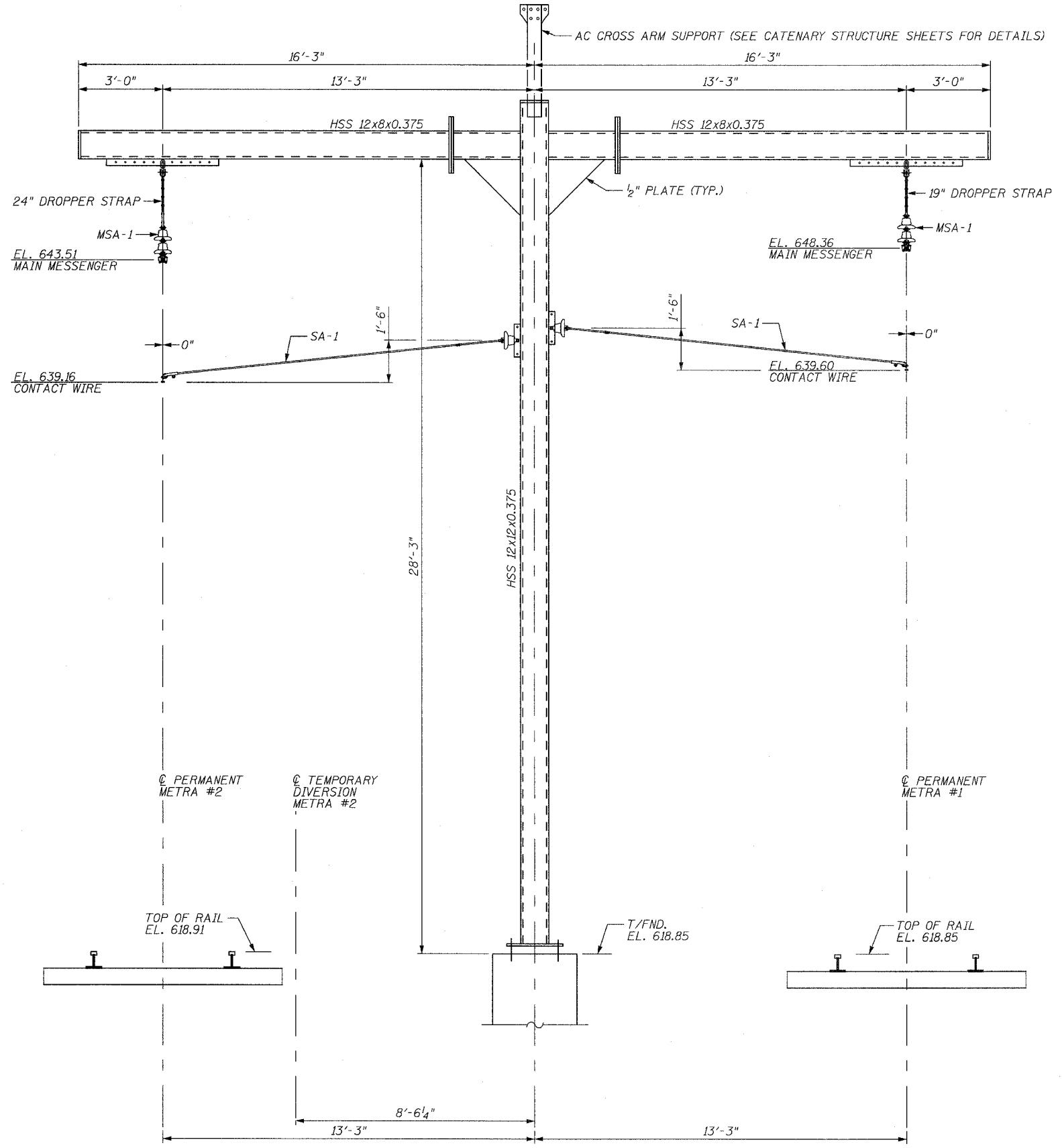


3/13/2008 2:39:35 PM

q:\17049.069\catenary\plans-cathardware\pole 9a perm hardware.dgn

ROUTE NO.	SECTION	COUNTY	TOTAL SHEETS	SHEET NO.
F.A.P. 351	2008-001VB	COOK	579	337
STA.		TO STA.		
FED. ROAD DIST. NO. 7		ILLINOIS		FED. AID PROJECT
CONTRACT NO. 60E10				



BILL OF MATERIAL

QTY.	UNIT	MARK	DESCRIPTION	REF. DWG.
2	EACH	MSA-1	MESSENGER SUPPORT ASSEMBLY	CH-05
2	EACH	SA-1	STEADY ARM ASSEMBLY	CH-04

PERMANENT CATENARY SUPPORT STRUCTURE #9A - HARDWARE CONFIGURATION
 TEMPORARY DIVERSION METRA #2 STATION 210+03.79 (PERMANENT METRA #2 STATION 1709+82.15)
 LOOKING SOUTH

REVISIONS	
NAME	DATE

ILLINOIS DEPARTMENT OF TRANSPORTATION
 US RTE 6 FROM I-294 TO IL RTE 1
 METRA OVER 159TH STREET

CATENARY HARDWARE
 PERM. CATENARY SUPP. STR. #9A

SHT. CH-17 OF CH-20
 DATE 2/21/2008

DRAWN BY PMV
 CHECKED BY MAD