

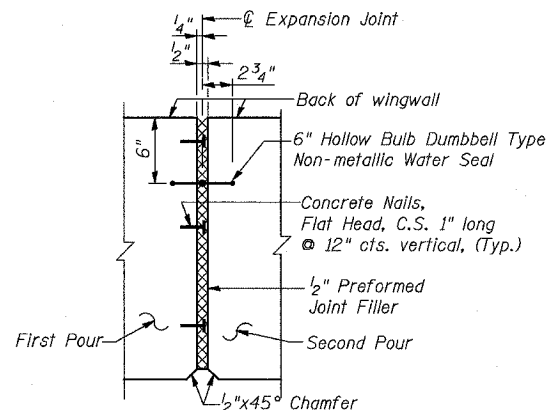
STATE OF ILLINOIS
DEPARTMENT OF TRANSPORTATION

ROUTE NO.	SECTION	COUNTY	TOTAL SHEETS	SHEET NO.
F.A.P. 351	2008-001VB	COOK	579	352
FED. ROAD DIST. NO. 7		ILLINOIS	FED. AID PROJECT-	

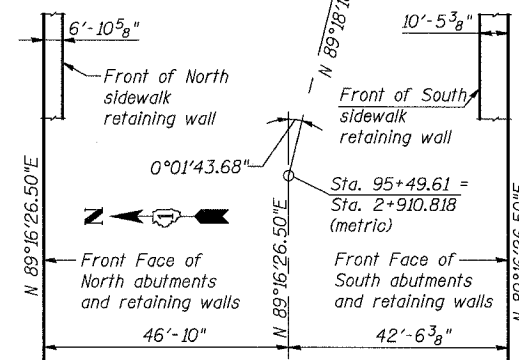
CONTRACT NO. 60E10

SHEET NO. 4
37 SHEETS

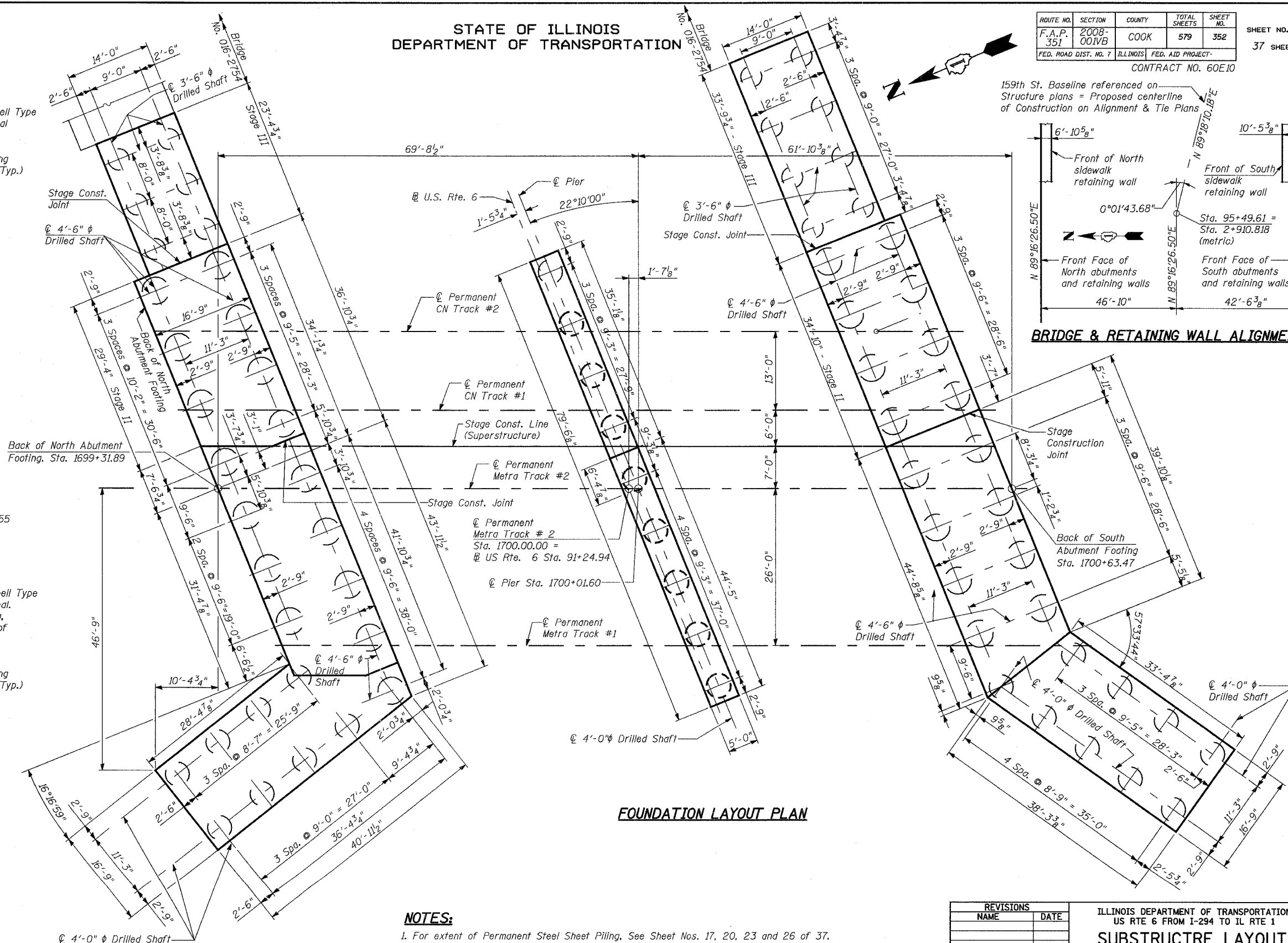
159th St. Baseline referenced on Structure plans = Proposed centerline of Construction on Alignment & Tie Plans



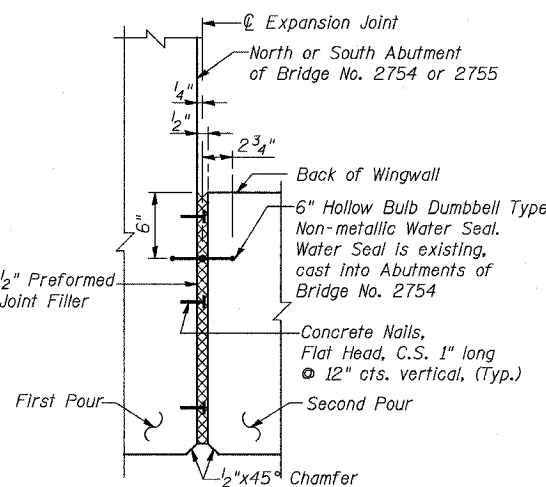
SECTIONAL PLAN VIEW OF EXPANSION JOINT IN WEST WINGWALLS



BRIDGE & RETAINING WALL ALIGNMENT



FOUNDATION LAYOUT PLAN



SECTIONAL PLAN VIEW OR REVERSED PLAN VIEW OF EXPANSION JOINT IN EAST WINGWALLS

NOTES:

1. For extent of Permanent Steel Sheet Piling, See Sheet Nos. 17, 20, 23 and 26 of 37.

REVISIONS	
NAME	DATE

ILLINOIS DEPARTMENT OF TRANSPORTATION
US RTE 6 FROM I-294 TO IL RTE 1
SUBSTRUCTURE LAYOUT

METRA & CN BRIDGE 20.6
OVER U.S. RTE. 6 (159TH STREET)
STATION 91+24.94 STRUCTURE NO. 016-2755
SCALE: DATE: 2/21/2008

URS
100 South Wacker Drive,
Suite 500
Chicago, IL 60606
(312) 939-1000

3/13/2008 9:24:41 AM
C:\projects\2008\159th\159th-substructure.dwg
3/13/2008 9:24:41 AM
C:\projects\2008\159th\159th-substructure.dwg
3/13/2008 9:24:41 AM
C:\projects\2008\159th\159th-substructure.dwg

SCALE: 1" = 1'-0"