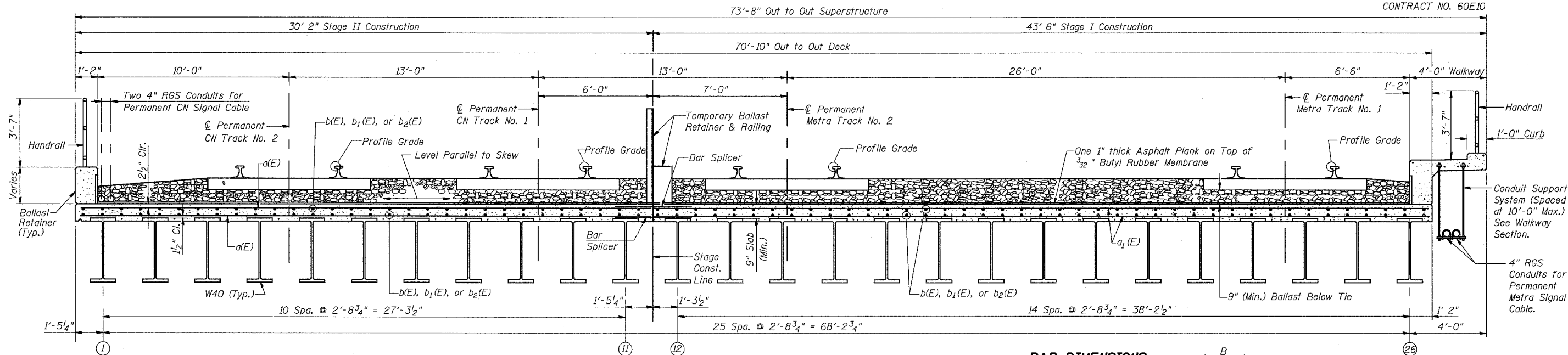


STATE OF ILLINOIS
DEPARTMENT OF TRANSPORTATION

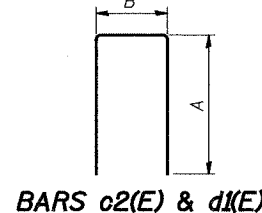
ROUTE NO. F.A.P. 351	SECTION 2008- 001VB	COUNTY COOK	TOTAL SHEETS 579	SHEET NO. 354
SHEET NO. 6 37 SHEETS				
FED. ROAD DIST. NO. 7 ILLINOIS			FED. AID PROJECT- CONTRACT NO. 60E10	



SUPERSTRUCTURE CROSS SECTION
(Looking South)

BAR DIMENSIONS

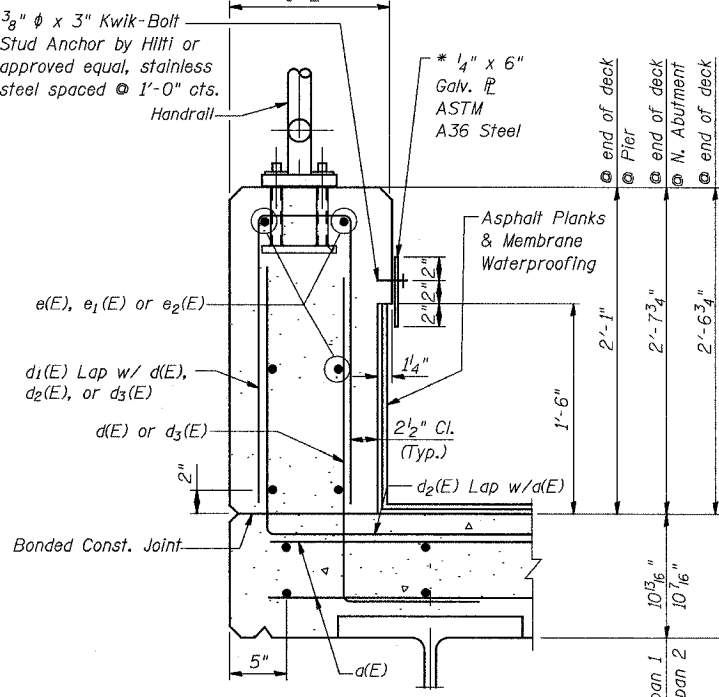
Bar	A	B
c(E)	3'-6"	1'-10"
c2(E)	6"	7"
d(E)	2'-6"	10"
d1(E)	1'-10"	7"
d2(E)	2'-1"	2'-1"
d3(E)	2'-9"	10"



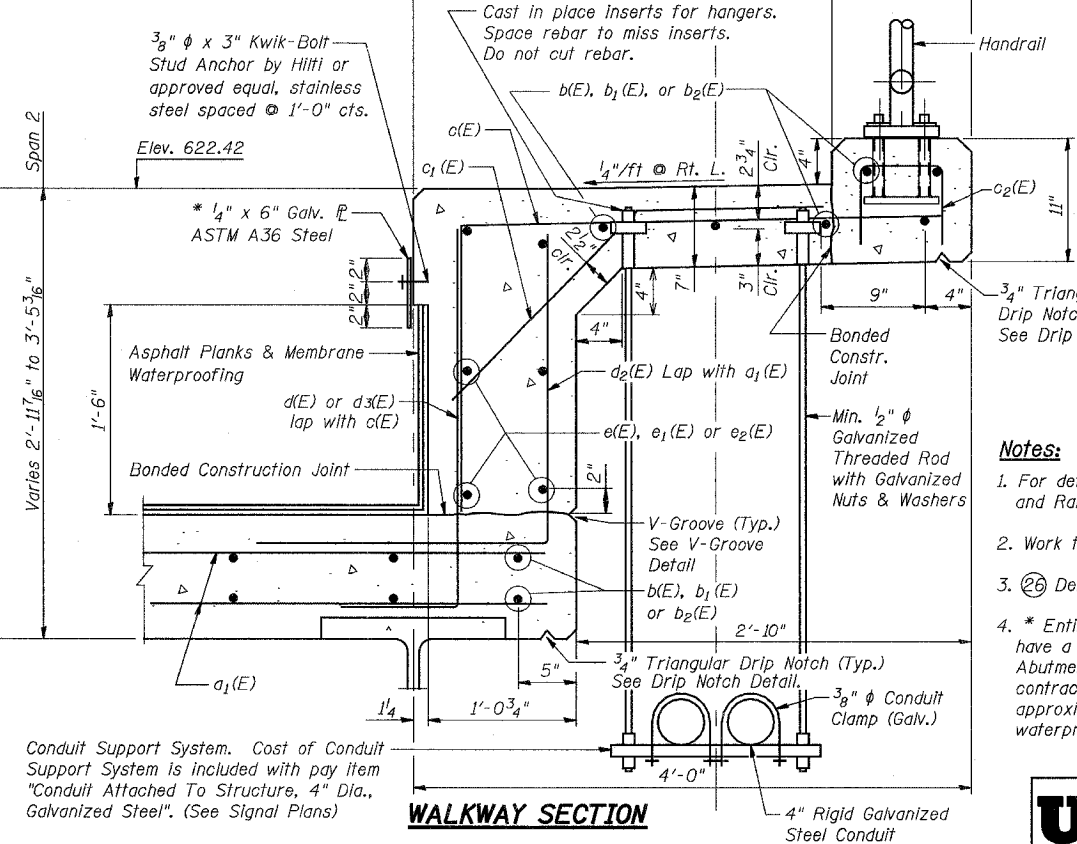
SUPERSTRUCTURE BILL OF MATERIAL

Bar No.	Size	Length	Shape
a(E)	208 #5	29'-11"	—
a1(E)	208 #5	40'-5"	—
a2(E)	8 #5	32'-4"	—
a3(E)	8 #5	43'-8"	—
b(E)	296 #5	30'-0"	—
b1(E)	148 #5	27'-2"	—
b2(E)	148 #5	19'-4"	—
c(E)	108 #5	5'-4"	J
c1(E)	96 #5	3'-2"	—
c2(E)	104 #5	1'-7"	□
d(E)	104 #5	3'-4"	J
d1(E)	104 #5	4'-3"	□
d2(E)	208 #5	4'-2"	J
d3(E)	104 #5	3'-7"	J
e(E)	24 #5	30'-0"	—
e1(E)	12 #5	27'-2"	—
e2(E)	12 #5	19'-4"	—
Concrete Superstructure		Cu. Yd.	242.7
Reinforcement Bars, Epoxy Coated		Pound	36,750
Membrane Waterproofing (Special)		Sq. Ft.	9,221.5
Bar Splicers		Each	208
Conduit Attached to Structure, 4" Φ Galvanized Steel		Foot	256

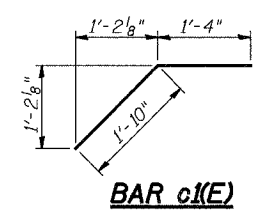
V-GROOVE DETAIL



DRIP NOTCH DETAIL



BARS c(E), d(E), d2(E) & d3(E)



- Notes:**
- For details of Temporary Ballast Retainer and Railing, see Sheet No. 13 of 37.
 - Work this Sheet with Sheet No. 5 of 37.
 - Ⓔ Denotes beam number.
 - * Entire Length of Parapet. Plate shall have a 1" joint at the center of Pier and at Abutment joints for deck expansion and contraction. Plate shall be shimmed approximately 1/4" to clear extra waterproofing material at joint.

DESIGNED	DRS
CHECKED	JJG
DRAWN	SOI
CHECKED	JJG

BALLAST RETAINER SECTION

WALKWAY SECTION

URS
100 South Wacker Drive,
Suite 500
Chicago, IL 60606
(312) 939-1000

REVISIONS	
NAME	DATE

ILLINOIS DEPARTMENT OF TRANSPORTATION
US RTE 6 FROM I-294 TO IL RTE 1

SUPERSTRUCTURE CROSS SECTION

METRA & CN BRIDGE 20.6
OVER U.S. RTE. 6 (159TH STREET)

STATION 91+24.94 STRUCTURE NO. 016-2755
SCALE: DATE: 2/21/2008