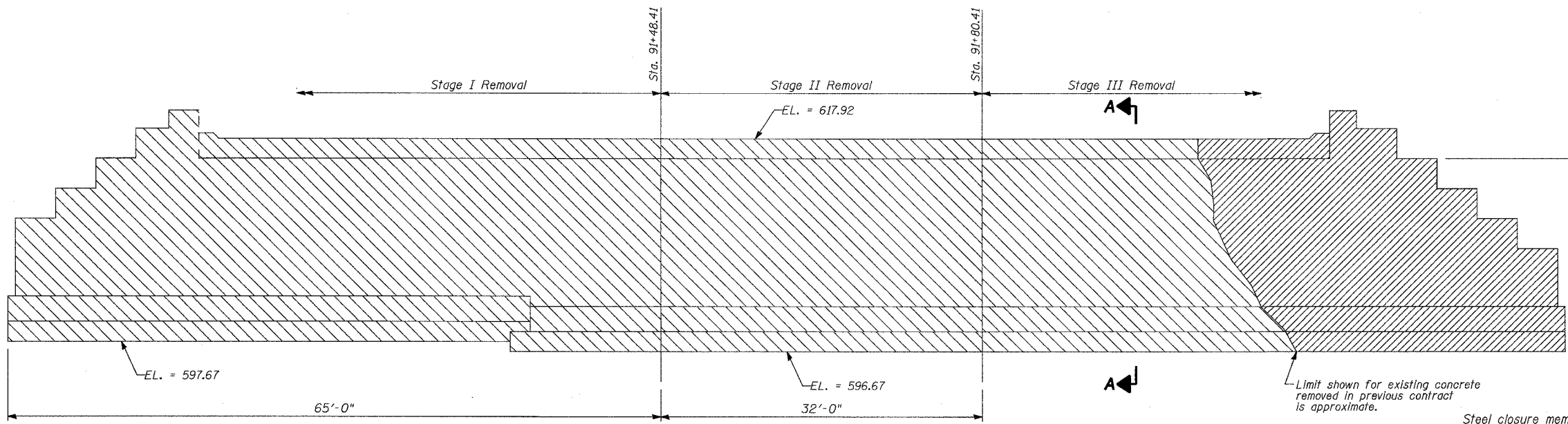


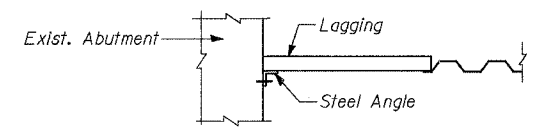
STATE OF ILLINOIS  
DEPARTMENT OF TRANSPORTATION

ROUTE NO.	SECTION	COUNTY	TOTAL SHEETS	SHEET NO.
F.A.P. 351	2008-001VB	COOK	579	362
FED. ROAD DIST. NO. 7	ILLINOIS	FED. AID PROJECT-	CONTRACT NO. 60E10	

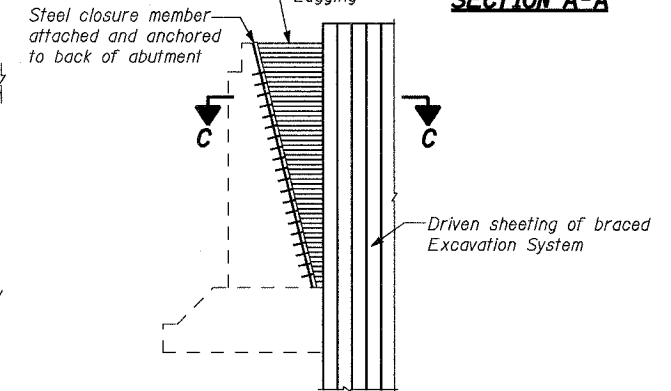
SHEET NO. 14  
37 SHEETS



**ELEVATION - NORTH ABUTMENT**  
(Looking North)

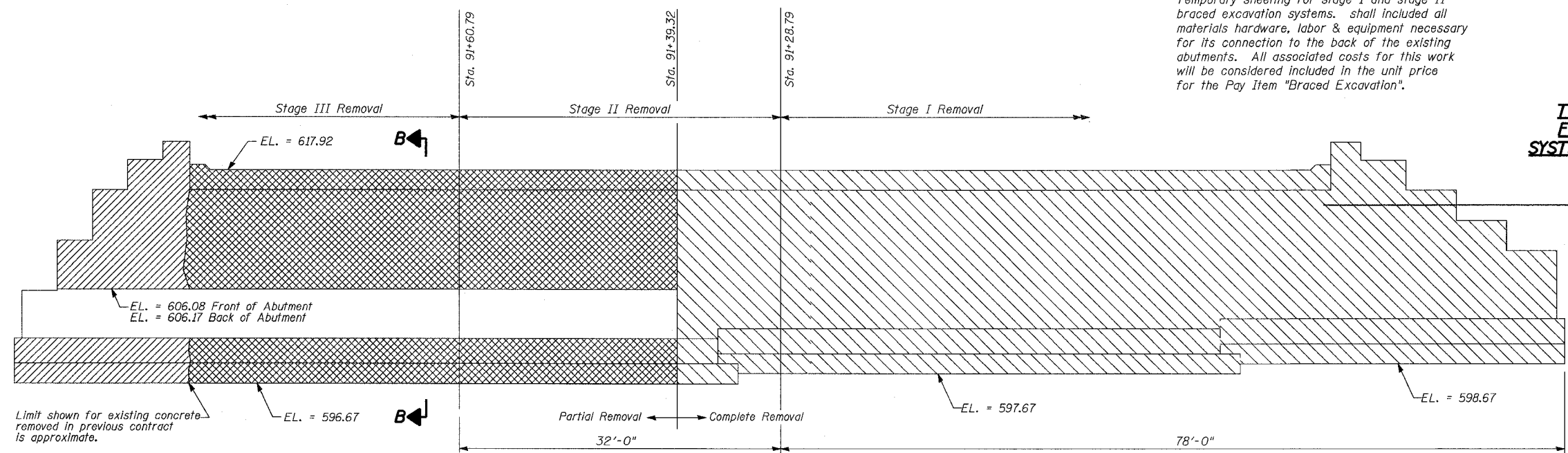


**SECTION C-C**

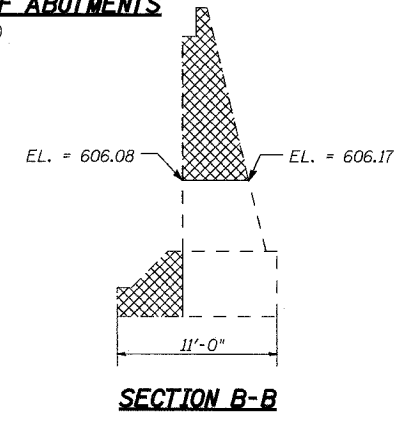


**TYPICAL CLOSURE DETAIL FOR BRACED EXCAVATION SYSTEM AT BACK OF ABUTMENTS**  
(See Note)

**Note:**  
Temporary sheeting for stage I and stage II braced excavation systems, shall include all materials hardware, labor & equipment necessary for its connection to the back of the existing abutments. All associated costs for this work will be considered included in the unit price for the Pay Item "Braced Excavation".



**ELEVATION - SOUTH ABUTMENT**  
(Looking South)



**SECTION B-B**

**LEGEND:**

- Indicates existing concrete removed in previous contract.
- Indicates existing concrete to be removed. Quantity included in Removal of Existing Structures No. 1.
- Indicates partial removal of the existing abutment cross section. Quantity included in Removal of Existing Structures No. 1.

**NOTES:**

1. The existing abutment is S.N. 016-0384.
2. Dimensions shown based on original plans. Field verify all dimensions and elevations. Contractor shall verify the limits of removal for each Stage before removal is begun & report findings to Engineer.

**URS** 100 South Wacker Drive, Suite 500, Chicago, IL 60606, (312) 939-1000

REVISIONS	
NAME	DATE

ILLINOIS DEPARTMENT OF TRANSPORTATION  
 US RTE 6 FROM I-294 TO IL RTE 1  
**ABUTMENT REMOVAL DETAILS**  
 METRA & CN BRIDGE 20.6  
 OVER U.S. RTE. 6 (159TH STREET)  
 STATION 91+24.94 STRUCTURE NO. 016-2755  
 SCALE: DATE: 2/21/2008

3/13/2008 9:15:23 AM  
 C:\17049\0651\structures\2755\_w\_r\final\design\dwg\14-abut\_removal.dwg

DESIGNED	DRS
CHECKED	JJG
DRAWN	SOI
CHECKED	JJG