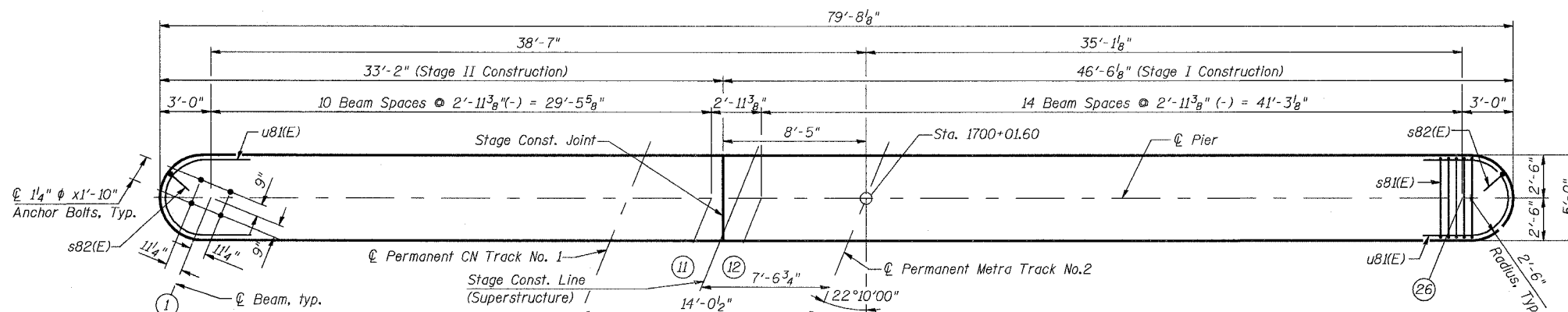


STATE OF ILLINOIS
DEPARTMENT OF TRANSPORTATION

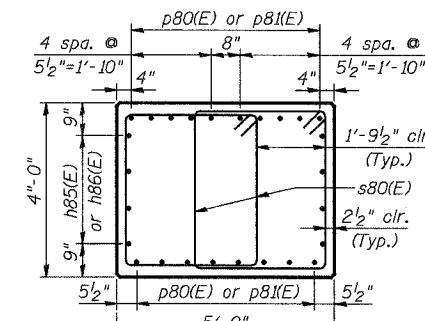
ROUTE NO.	SECTION	COUNTY	TOTAL SHEETS	SHEET NO.
F.A.P. 351	2008-001VB	COOK	579	376
FED. ROAD DIST. NO. 7		ILLINOIS	FED. AID PROJECT-	

CONTRACT NO. 60E10

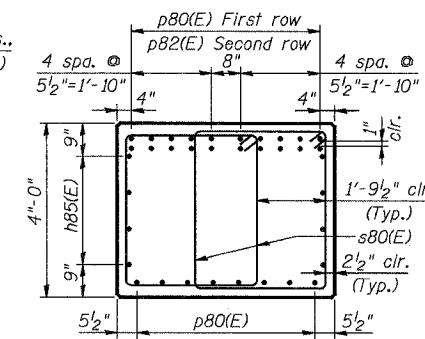
SHEET NO. 28
37 SHEETS



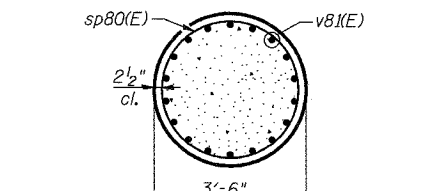
TOP PLAN



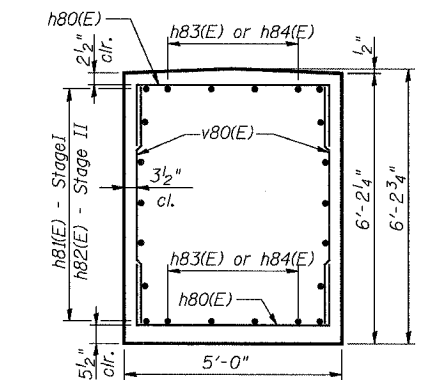
SECTION A-A



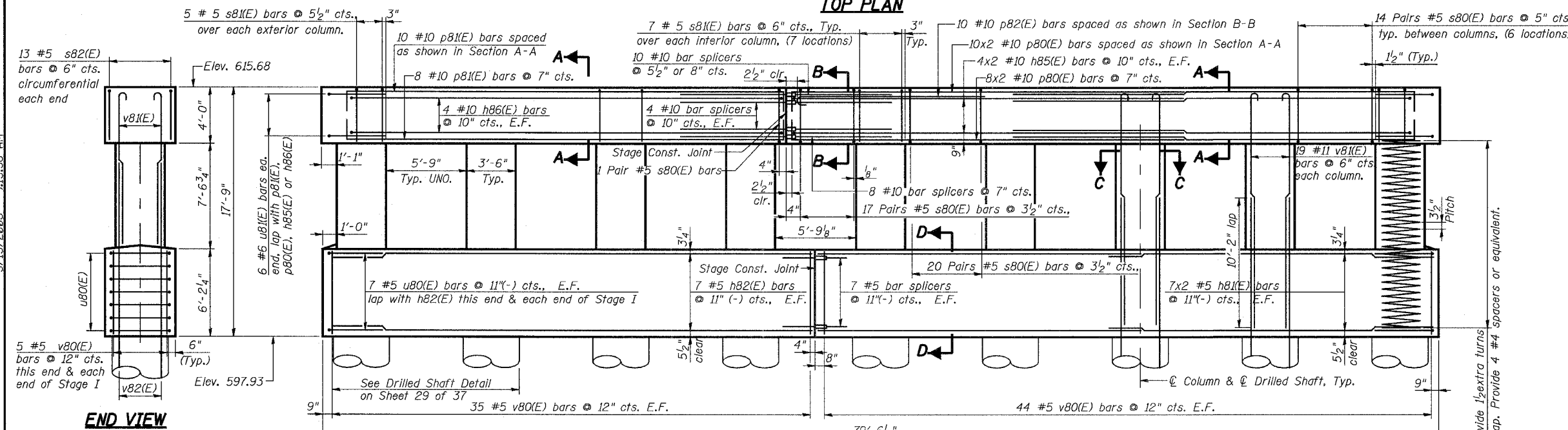
SECTION B-B



SECTION C-C

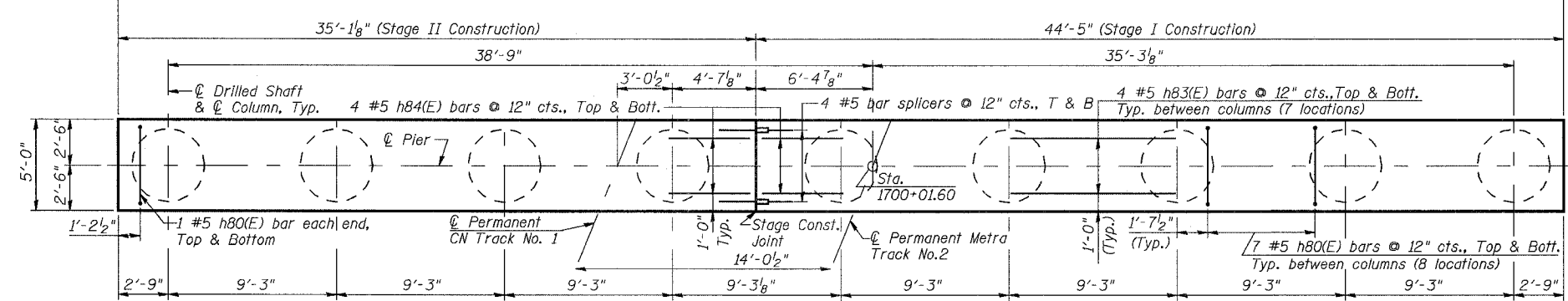


SECTION D-D



ELEVATION LOOKING SOUTH

END VIEW



CRASH WALL PLAN

- Notes:**
- For Bill of Materials and additional details see Sheet 29 of 37.
 - Space reinforcement in seat to miss anchor bolts.

REVISIONS	
NAME	DATE

ILLINOIS DEPARTMENT OF TRANSPORTATION
US RTE 6 FROM I-294 TO IL RTE 1

PIER

METRA & CN BRIDGE 20.6
OVER U.S. RTE. 6 (159TH STREET)

STATION 91+24.94 STRUCTURE NO. 016-2755
SCALE: DATE: 2/21/2008

100 South Wacker Drive,
Suite 500
Chicago, IL 60606
(312) 939-1000

URS

3/13/2008 9:15:36 AM
structures\2755_w_r\final_design_dwg\28-pier.dwg

DESIGNED	DRS
CHECKED	JJG
DRAWN	SOI
CHECKED	JJG