

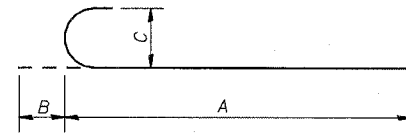
STATE OF ILLINOIS  
DEPARTMENT OF TRANSPORTATION

ROUTE NO.	SECTION	COUNTY	TOTAL SHEETS	SHEET NO.
F.A.P. 351	2008- 001VB	COOK	579	401
FED. ROAD DIST. NO. 7		ILLINOIS FED. AID PROJECT-		
CONTRACT NO. 60E10				

SHEET NO. 16  
25 SHEETS

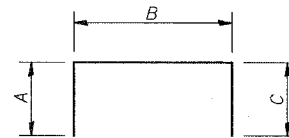
**BILL OF MATERIAL - NORTH ABUTMENT**

Bar	No.	Size	Length	Shape
h(E)	72	#5	23'-11"	—
h1(E)	6	#5	0'-11"	—
h2(E)	7	#5	5'-0"	—
h3(E)	7	#5	6'-8"	—
h4(E)	11	#5	20'-3"	—
h5(E)	10	#5	19'-11"	—
h6(E)	2	#5	23'-0"	—
h7(E)	28	#5	13'-11"	—
n1(E)	59	#5	6'-0"	—
n2(E)	21	#5	5'-0"	—
n3(E)	41	#7	6'-7"	—
n5(E)	265	#10	25'-11"	—
n6(E)	23	#7	7'-5"	—
n7(E)	93	#9	13'-2"	—
sp2	10	#5	21'-2"	
sp3	5	#5	22'-2"	
t(E)	62	#10	16'-2"	—
t1(E)	47	#6	16'-2"	—
t3(E)	18	#7	23'-1"	—
t4(E)	11	#5	23'-1"	—
u(E)	93	#5	8'-8"	—
u1(E)	2	#5	8'-9"	—
v(E)	44	#7	7'-4"	—
v1(E)	44	#5	6'-1"	—
v3(E)	12	#5	9'-7"	—
v4(E)	10	#5	18'-8"	—
v5(E)	20	#6	18'-8"	—
v6(E)	1	#5	15'-0"	—
v7(E)	1	#6	15'-0"	—
v8(E)	47	#5	8'-5"	—
v10(E)	14	#5	12'-9"	—
v11(E)	27	#7	12'-9"	—
v14(E)	2	#5	2'-3"	—
w(E)	72	#7	24'-8"	—
w1(E)	10	#5	19'-11"	—
w2(E)	10	#7	19'-11"	—
w3(E)	3	#5	20'-3"	—
w4(E)	3	#7	20'-3"	—
w5(E)	2	#5	20'-9"	—
Porous Granular Embankment		Cu. Yd.	341	
Concrete Structures		Cu. Yd.	264.5	
Reinforcement Bars		Lbs.	6,950	
Reinforcement Bars, Epoxy Coated		Lbs.	52,940	
Concrete Sealer		Sq. Ft.	169	
Braced Excavation		Cu. Yd.	237.9	
Non-Special Waste Disposal		Cu. Yd.	970.3	
Geocomposite Wall Drain		Sq. Yd.	77.6	
Structure Excavation		Cu. Yd.	601.6	
Drilled Shaft in Soil		Cu. Yd.	130.9	
Drilled Shaft in Rock		Cu. Yd.	16.7	
Permanent Steel Sheet Piling		Sq. Ft.	1,002	



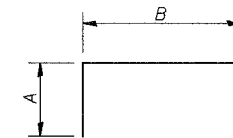
**BARS nx(E)**

Bar	A	B	C
n1(E)	5'-5"	7"	5"
n2(E)	4'-5"	7"	5"
n3(E)	5'-9"	10"	7"
n5(E)	24'-6"	1'-5"	1'-1 1/4"
n6(E)	6'-7"	10"	7"
n7(E)	11'-11"	1'-3"	11 3/4"



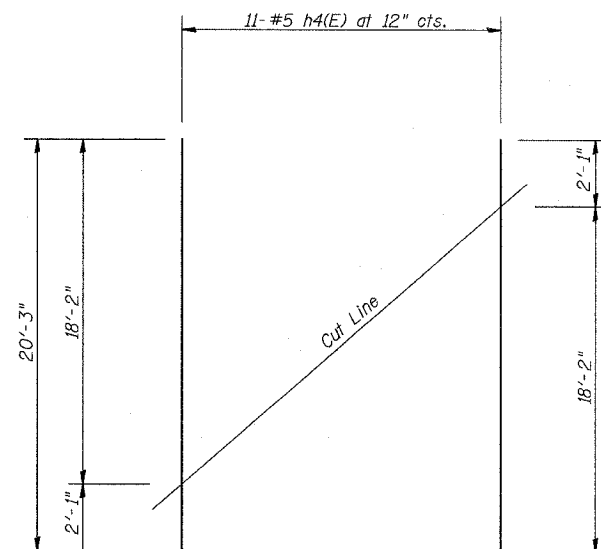
**BARS u(E) & u1(E)**

Bar	A	B	C
u(E)	2'-0"	4'-8"	2'-0"
u1(E)	4'-1"	7"	4'-1"



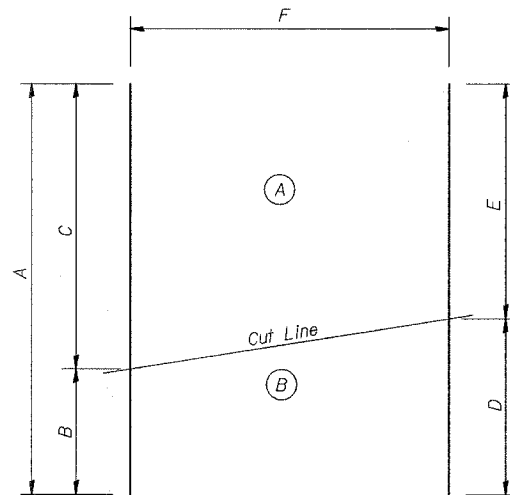
**BARS h2(E) & h3(E)**

Bar	A	B
h2(E)	1'-3"	3'-9"
h3(E)	2'-0"	4'-8"



**FIELD CUTTING DIAGRAM #1**

Order bars full length. Cut bars in field as shown. Use top half in F.F. and bottom half in B.F. for h4(E) bars.



**FIELD CUTTING DIAGRAM #2**

Order bars full length. Cut bars in field as shown. Place patterns (A) & (B) side by side as shown on sheet 15 for tx(E) bars, sheet 12 for vx(E) bars and sheet 15 for wx(E) bars.

Bar	A	B	C	D	E	F
t3(E)	23'-1"	8'-8"	14'-5"	11'-5 1/2"	11'-7 1/2"	18-#7 bars at 7" cts.
t4(E)	23'-1"	8'-8"	14'-5"	11'-5 1/2"	11'-7 1/2"	11-#5 bars at 12" cts.
v4(E)	18'-8"	3'-8"	15'-0"	9'-1"	9'-7"	10-#5 bars at 12" cts.
v5(E)	18'-8"	3'-8"	15'-0"	9'-2"	9'-6"	20-#6 bars at 6" cts.
w3(E)	20'-3"	1'-3"	19'-0"	8'-4"	11'-11"	3-#5 bars at 12" cts.
w4(E)	20'-3"	1'-3"	19'-0"	8'-4"	11'-11"	3-#7 bars at 12" cts.

**Notes:**

Place backfill behind sidewalk retaining wall prior to backfilling behind abutment and abutment retaining wall.

Bars designated (E) shall be epoxy coated.

Length of Spiral given is Height of Spiral. Weight includes Weight of Spacers for Spiral.

3/13/2008 11:30:14 AM

G:\17049\_069\_structures\2819\_w-r-r-dwa\16\_n\_abut.bom.dgn

DESIGNED	AEU
CHECKED	JPB
DRAWN	AEU
CHECKED	JPB

**URS**  
100 South Wacker Drive,  
Suite 500  
Chicago, IL 60606  
(312) 939-1000

REVISIONS	
NAME	DATE

ILLINOIS DEPARTMENT OF TRANSPORTATION  
US RTE 6 FROM I-294 TO IL RTE 1

**NORTH ABUTMENT  
DETAILS III**

GN GATEWAY LEAD TRACK  
BRIDGE 20.6E OVER U.S. RTE. 6 (159TH STREET)  
STATION 93+69.01 STRUCTURE NO. 016-2819  
SCALE: N.T.S. DATE: 2/21/2008