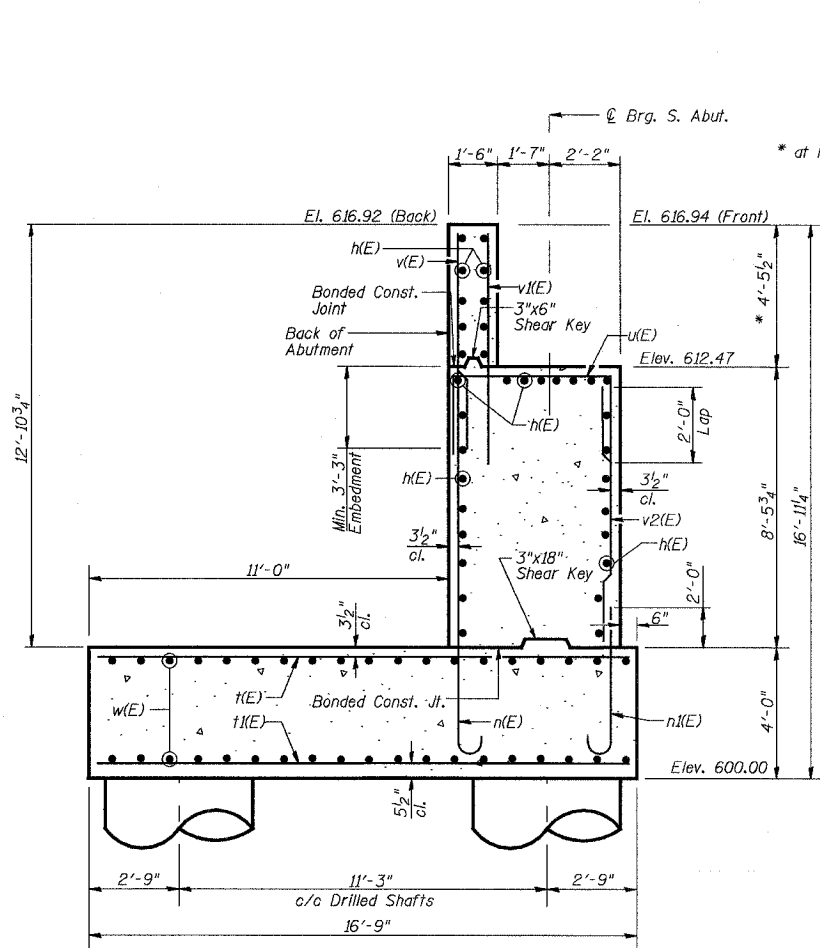


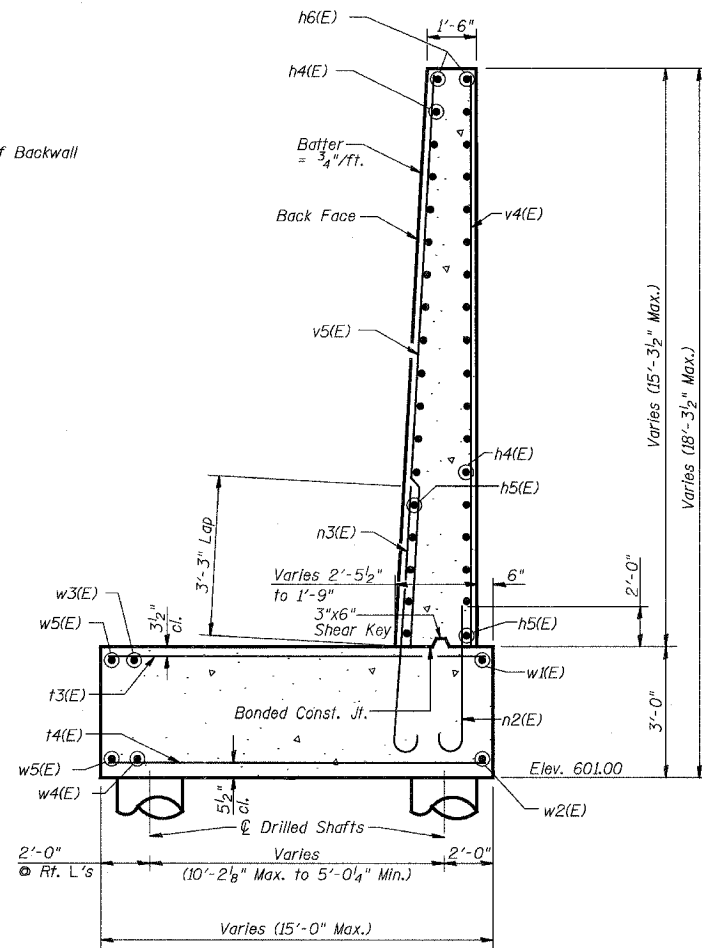
STATE OF ILLINOIS
DEPARTMENT OF TRANSPORTATION

ROUTE NO.	SECTION	COUNTY	TOTAL SHEETS	SHEET NO.
F.A.P. 351	2008-001VB	COOK	579	403
FED. ROAD DIST. NO. 7	ILLINOIS	FED. AID PROJECT-	CONTRACT NO. 60E10	

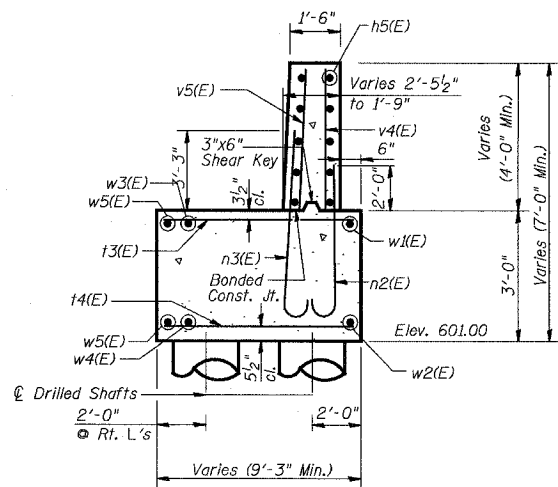
SHEET NO. 18
25 SHEETS



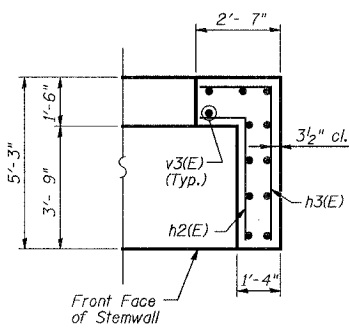
SECTION A-A
3/8"=1'-0"



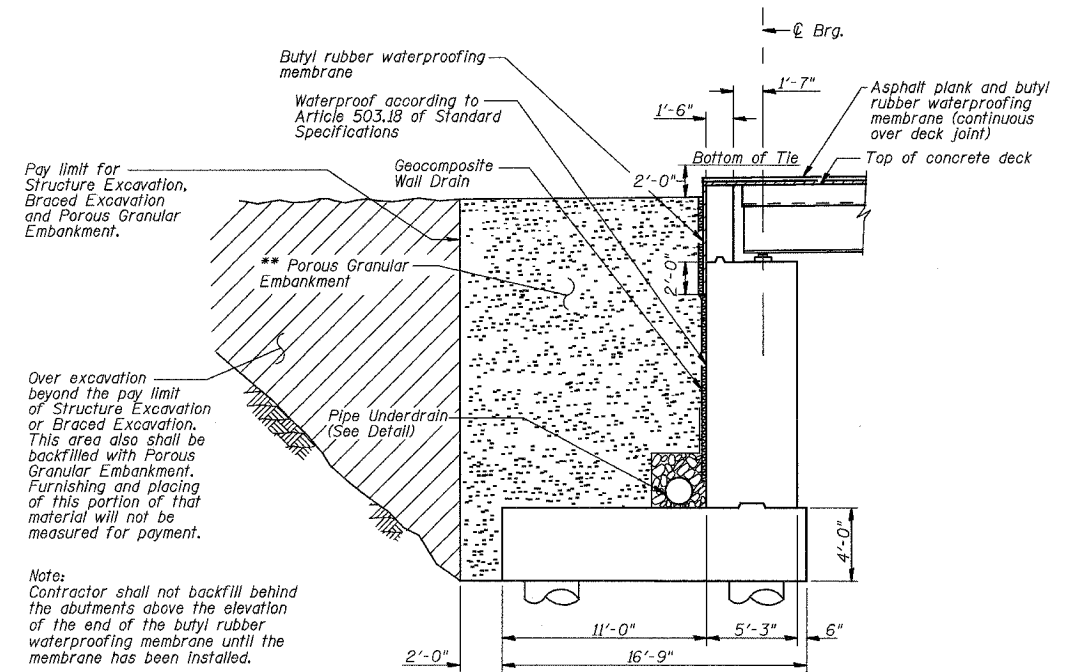
SECTION B-B
3/8"=1'-0"



SECTION C-C
N.T.S.

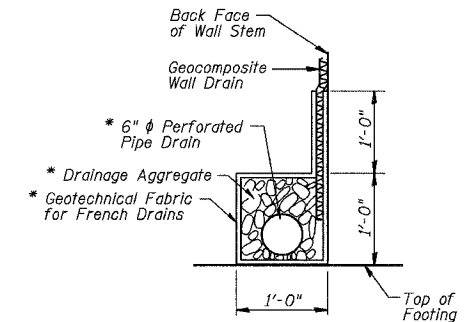


SECTION D-D
N.T.S.



DRAINAGE & BACKFILL DETAIL

N.T.S.
** Excavation for placing Porous Granular Embankment is included in cost of Braced Excavation & Structure Excavation
Porous Granular Embankment shall be compacted to 95% Modified Proctor Density and its coarse aggregate gradation shall be CA 18.



PIPE UNDERDRAIN DETAIL

* Included in cost of Pipe Underdrain For Structures 6"
N.T.S.

NOTES:

1. Reinforcement bars designated (E) shall be epoxy coated.
2. Work this sheet with Sheets 17 through 21.
3. Space reinforcement in seat to miss anchor bolts.
4. See Sheet 21 for Bill of Materials.
5. See U.S. 6 Mainline Retaining Walls Along I59th Street plans for Pipe Underdrain Layout and Quantities.

REVISIONS	
NAME	DATE

ILLINOIS DEPARTMENT OF TRANSPORTATION
US RTE 6 FROM I-294 TO IL RTE 1
SOUTH ABUTMENT-DETAILS I

CN GATEWAY LEAD TRACK
BRIDGE 20.6E OVER U.S. RTE. 6 (159TH STREET)
STATION 93+69.01 STRUCTURE NO. 016-2819
SCALE: AS NOTED DATE: 2/21/2008

URS
100 South Wacker Drive,
Suite 500
Chicago, IL 60606
(312) 939-1000

3/13/2008 11:30:15 AM

C:\17049\069\structures\2819_w_r\rdwg\16_s_abut_det.dgn

DESIGNED AEU
CHECKED JPB
DRAWN AEU
CHECKED JPB