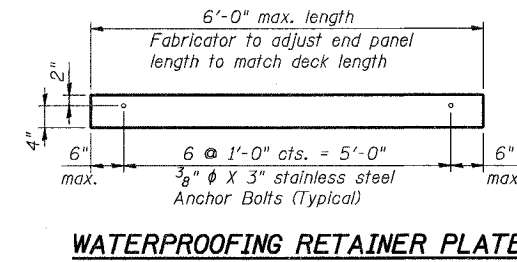
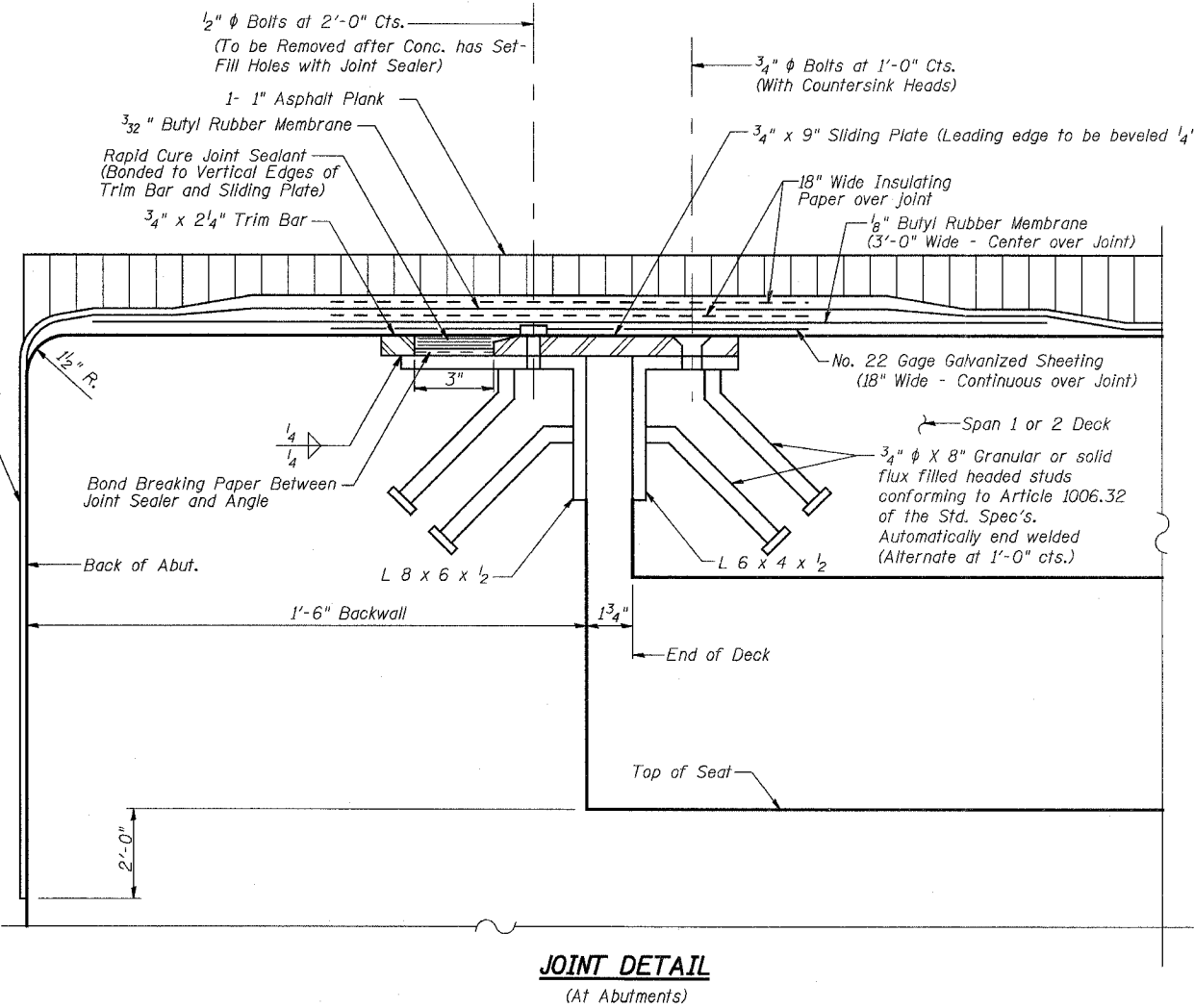
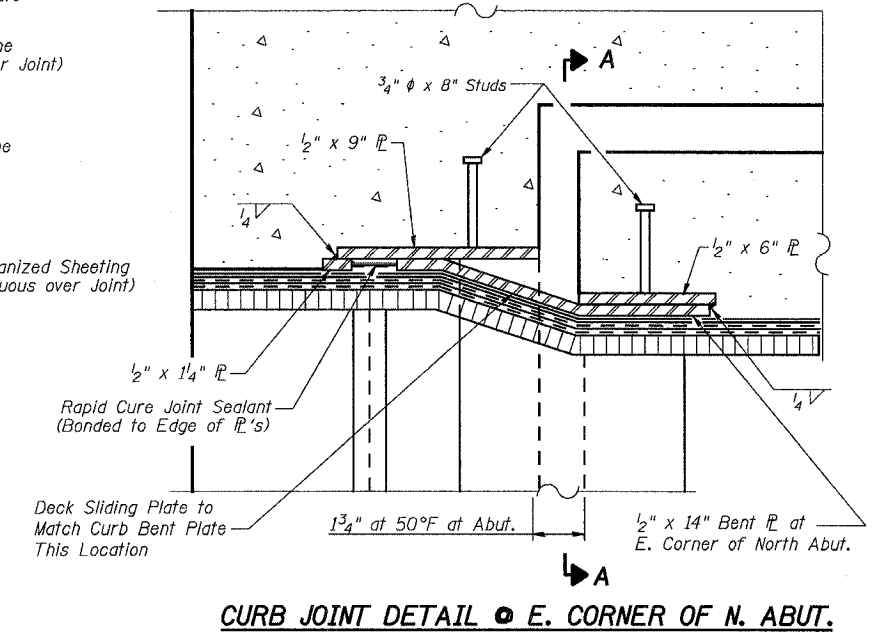
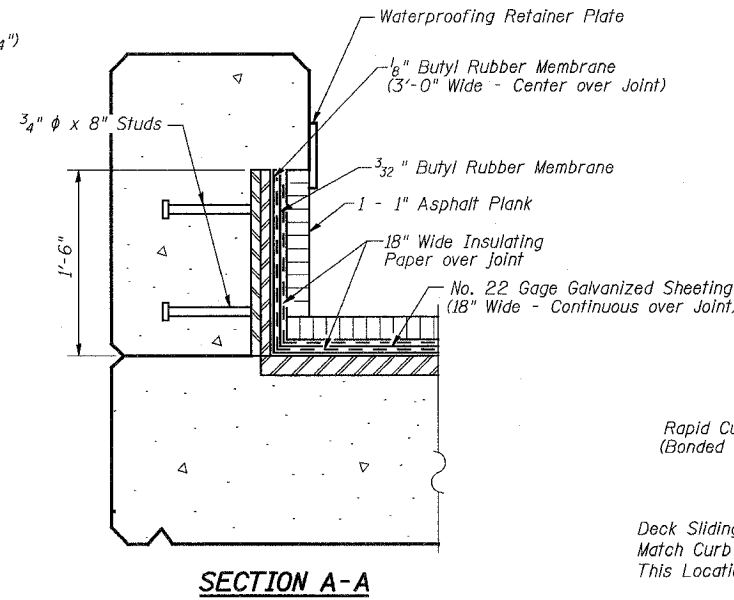
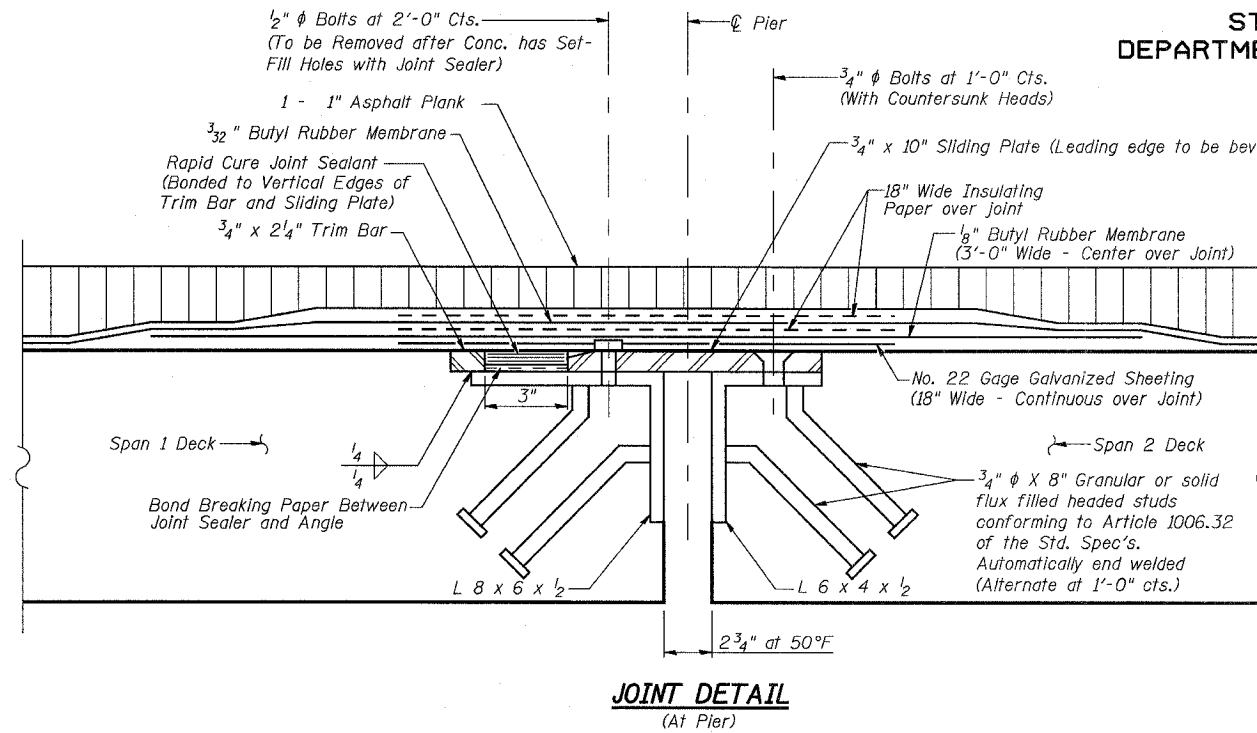


STATE OF ILLINOIS
DEPARTMENT OF TRANSPORTATION

ROUTE NO.	SECTION	COUNTY	TOTAL SHEETS	SHEET NO.
F.A.P. 351	2008-001VB	COOK	579	471
FED. ROAD DIST. NO. 7		ILLINOIS	FED. AID PROJECT	

CONTRACT NO. 60E10

SHEET NO. 7
26 SHEETS



Notes:

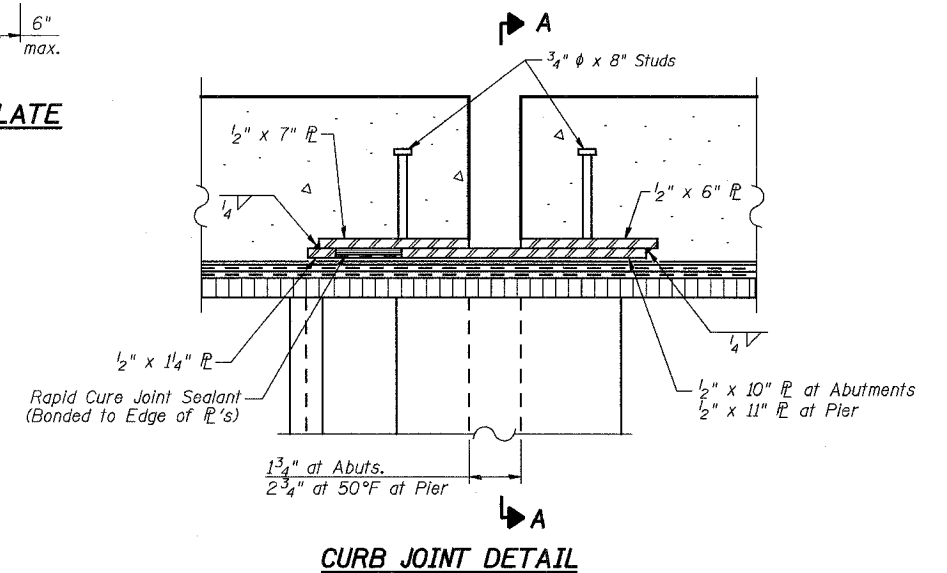
1. The Waterproofing material at the joints at the Abutments and Pier shall be applied in the following order:

1. Bond-Breaker Paper
2. Rapid Cure Joint Sealant
3. Galvanized Sheet
4. $\frac{1}{8}$ " Thick Butyl Rubber Membrane
5. Insulating Paper
6. $\frac{3}{32}$ " Thick Butyl Rubber Membrane
7. Insulating Paper
8. Asphalt Plank
9. Mop Coat of Hot Asphalt

Material shall be included in cost of Membrane Waterproofing (Special)

2. Plates, angles & studs included in cost of Furnishing & Erecting Structural Steel.

3. Steel Angles, Trim Bar, Studs and Sliding Plates shall be Hot Dip Galvanized after Fabrication per ASTM A123 (AASHTO M111). Countersunk Head Bolts shall be Galvanized per ASTM A153 (AASHTO M232).



3/13/2008 1:26:45 PM

G:\17049\069\structures\2822.e rr\dwa\07_joint_details.dgn

DESIGNED	MDS
CHECKED	JPB
DRAWN	MDS
CHECKED	JPB

URS
100 South Wacker Drive,
Suite 500
Chicago, IL 60606
(312) 939-1000

REVISIONS	
NAME	DATE

ILLINOIS DEPARTMENT OF TRANSPORTATION
US RTE 6 FROM I-294 TO IL RTE 1
JOINT DETAILS

CN THOROUGHFARE TRACK
BRIDGE 20.6E OVER U.S. RTE. 6 (159TH STREET)
STATION 96+36.66 STRUCTURE NO. 016-2822
SCALE: N.T.S. DATE: 2/21/2008