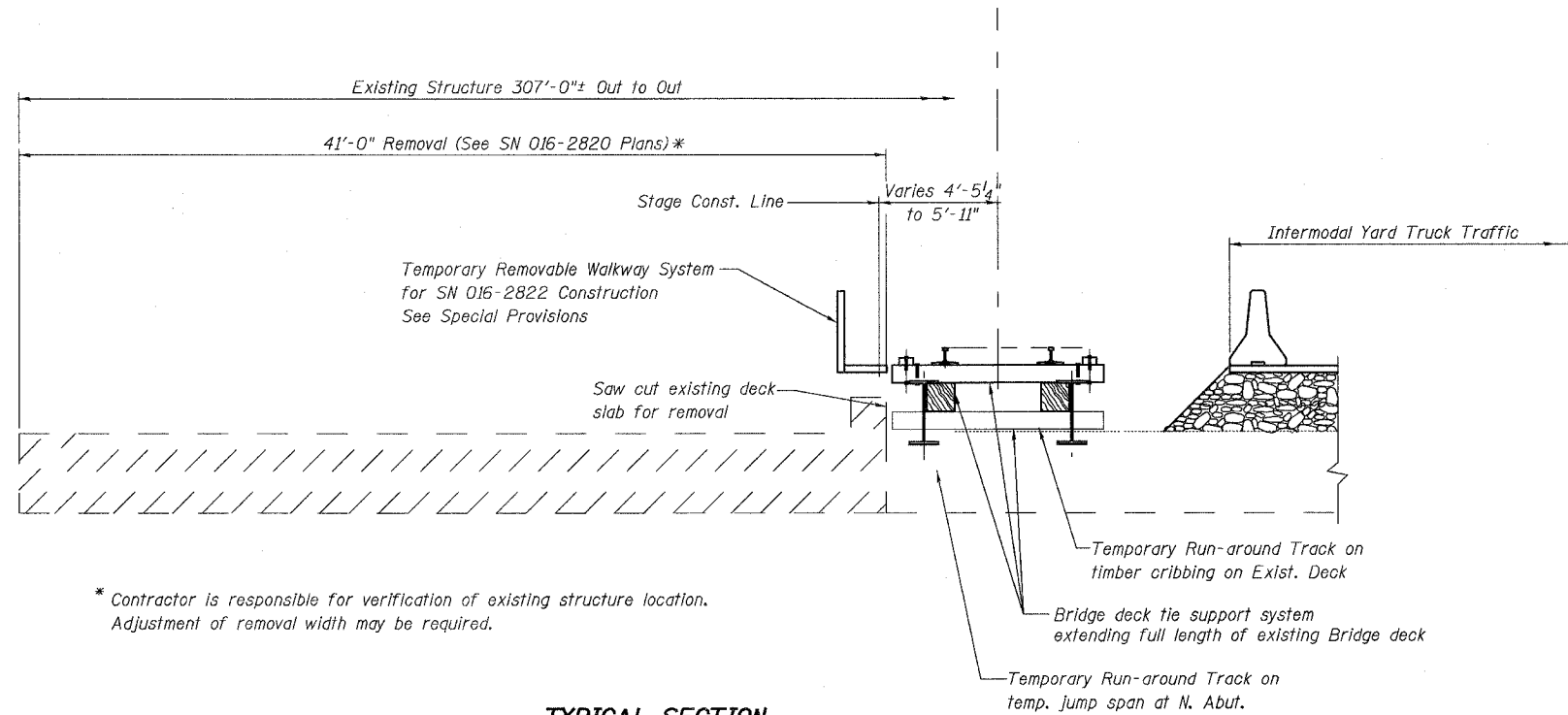


STATE OF ILLINOIS  
DEPARTMENT OF TRANSPORTATION

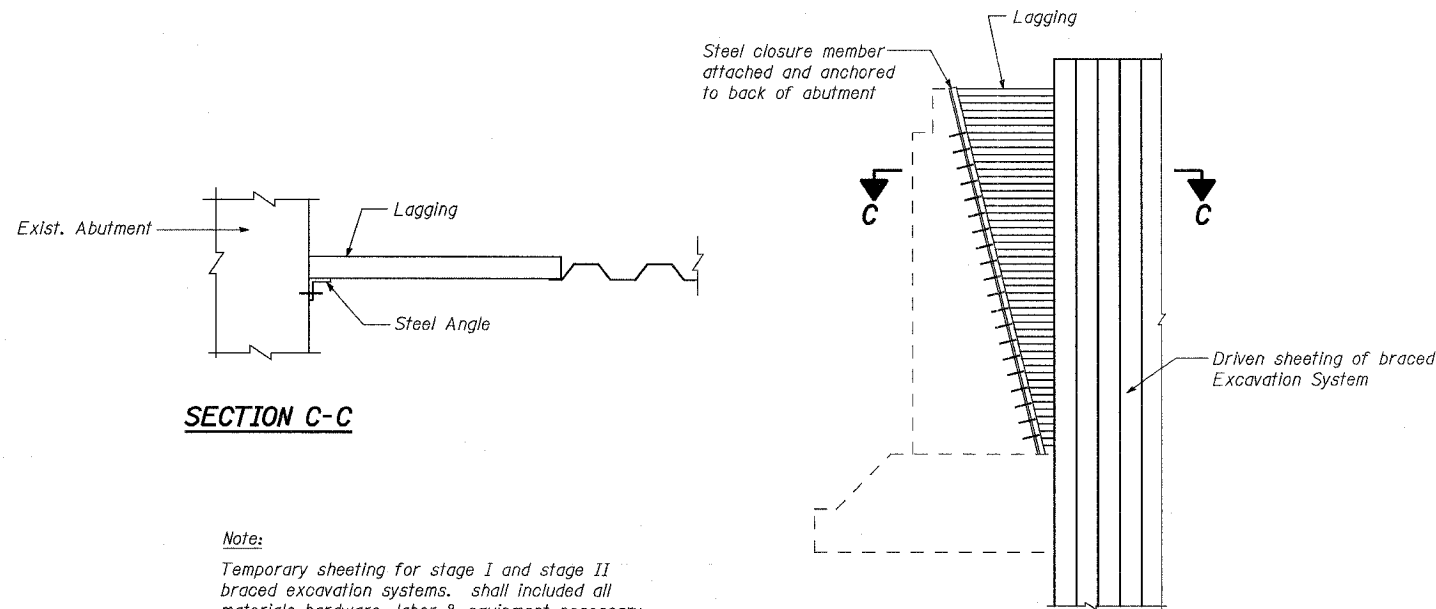
ROUTE NO.	SECTION	COUNTY	TOTAL SHEETS	SHEET NO.
F.A.P. 351	2008-001VB	COOK	579	476
FED. ROAD DIST. NO. 7	ILLINOIS	FED. AID PROJECT-	CONTRACT NO. 60E10	

SHEET NO. 12  
26 SHEETS



\* Contractor is responsible for verification of existing structure location. Adjustment of removal width may be required.

**TYPICAL SECTION**  
(Looking South)



**SECTION C-C**

**TYPICAL CLOSURE DETAIL FOR BRACED EXCAVATION SYSTEM AT BACK OF ABUTMENTS**  
(See Note)

Note:  
Temporary sheeting for stage I and stage II braced excavation systems. shall included all materials hardware, labor & equipment necessary for its connection to the back of the existing abutments. All associated costs for this work will be considered included in the unit price for the Pay Item "Braced Excavation".

Notes:

1. For removal pay items and quantities see SN 016-2820 plans.
2. For removal of existing substructure see Substructure Removal Details drawing in SN 016-2820 plans.

REVISIONS	
NAME	DATE

ILLINOIS DEPARTMENT OF TRANSPORTATION  
US RTE 6 FROM I-294 TO IL RTE 1  
**CONCRETE DECK  
REMOVAL DETAILS**  
CN THOROUGHFARE TRACK  
BRIDGE 20.6E OVER U.S. RTE. 6 (159TH STREET)  
STATION 96+36.66 STRUCTURE NO. 016-2822  
SCALE: DATE: 2/21/2008

**URS**  
100 South Wacker Drive,  
Suite 500  
Chicago, IL 60606  
(312) 939-1000

3/13/2008 1:26:47 PM

G:\17049\_069\structures\2822\_e-rr\dwg\12\_eone\_remu.dwg

DESIGNED	MDS
CHECKED	JPB
DRAWN	MDS
CHECKED	JPB