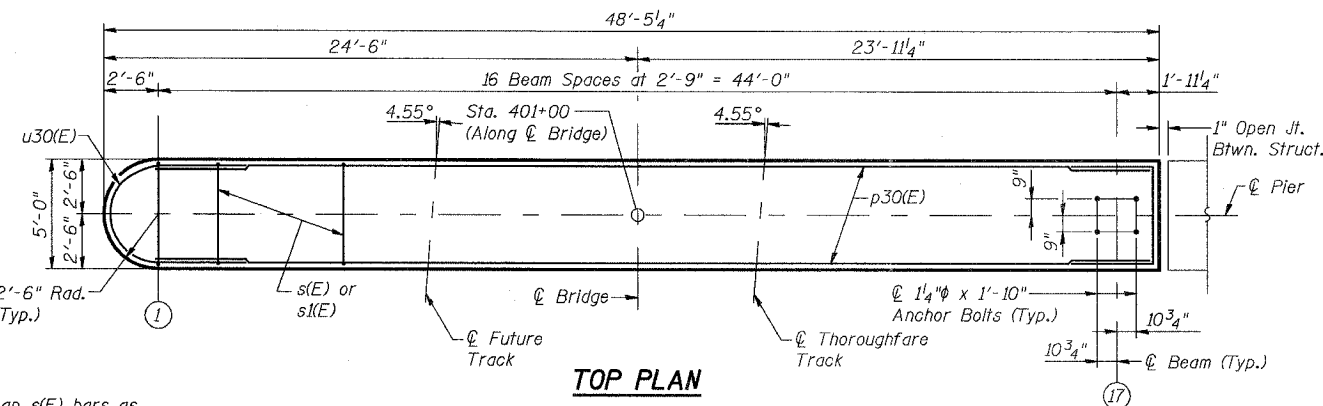


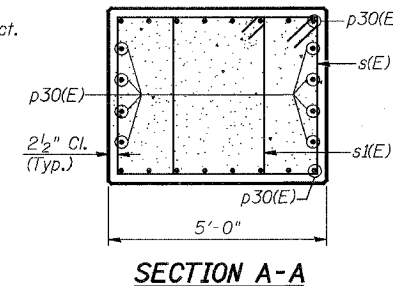
STATE OF ILLINOIS
DEPARTMENT OF TRANSPORTATION

ROUTE NO.	SECTION	COUNTY	TOTAL SHEETS	SHEET NO.
F.A.P. 351	2008-001VB	COOK	579	487
FED. ROAD DIST. NO. 7		ILLINOIS	FED. AID PROJECT-	
CONTRACT NO. 60E10				

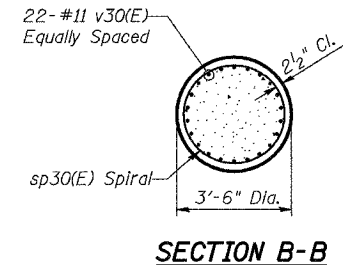
SHEET NO. 23
26 SHEETS



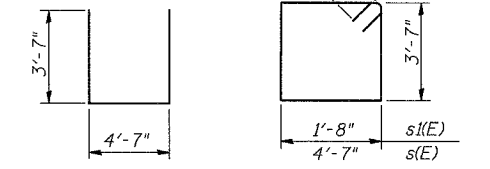
TOP PLAN



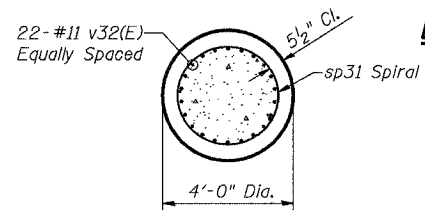
SECTION A-A



SECTION B-B



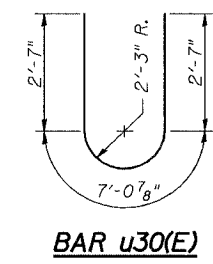
BAR s2(E) BAR s(E) & s1(E)



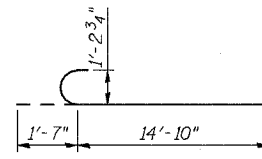
SECTION C-C

PIER
BILL OF MATERIAL

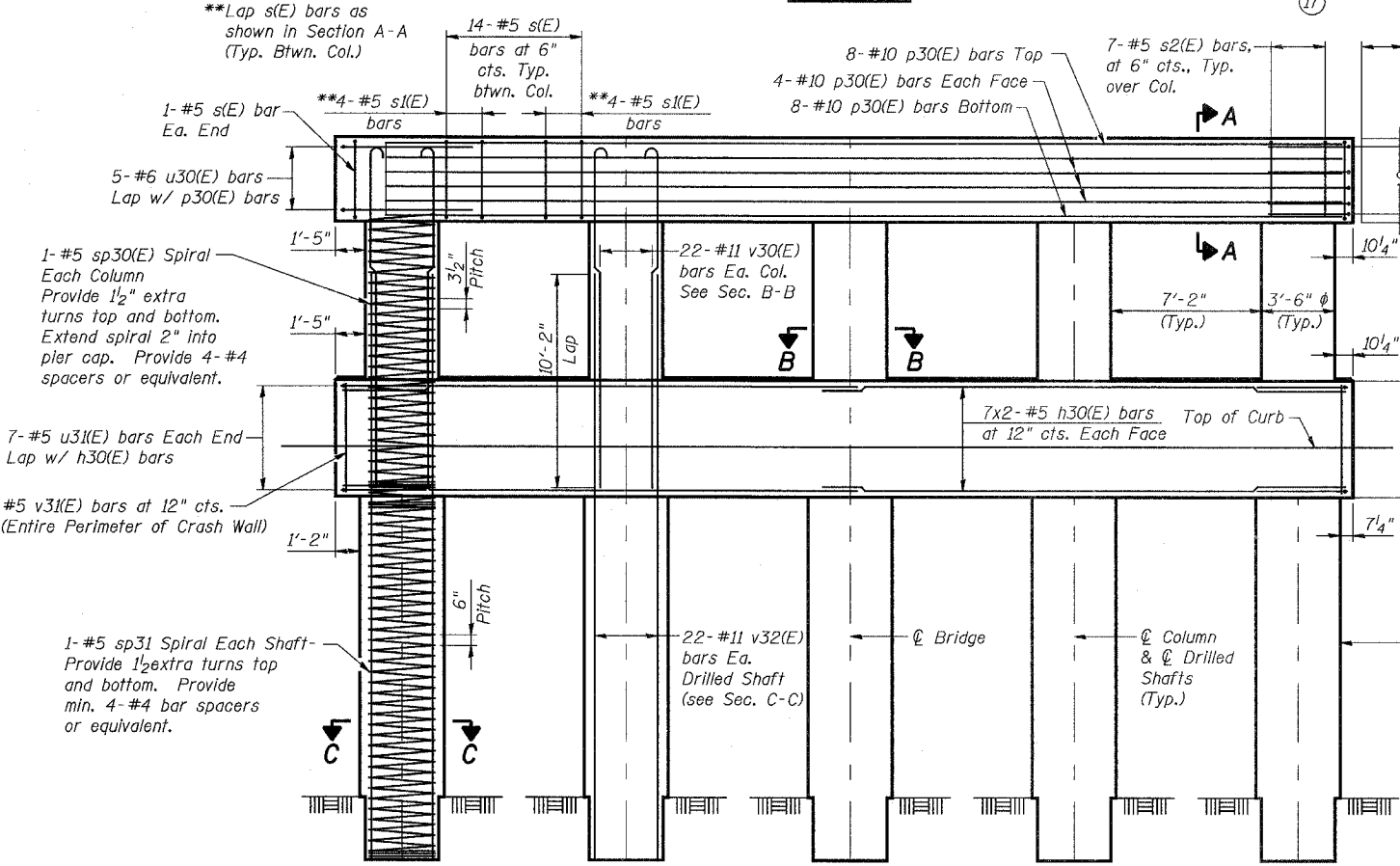
Bar	No.	Size	Length	Shape
h30(E)	28	#5	25'-1"	—
h31(E)	8	#5	7'-2"	—
h32(E)	8	#5	8'-3"	—
p30(E)	24	#10	45'-9"	—
s(E)	58	#5	17'-3"	□
s1(E)	32	#5	11'-5"	□
s2(E)	35	#5	11'-9"	□
sp30(E)	5	#5	13'-4"	
sp31	5	#5	28'-3"	
u30(E)	5	#6	12'-3"	—
u31(E)	14	#5	8'-11"	—
u32(E)	13	#6	9'-8"	—
v30(E)	110	#11	16'-5"	—
v31(E)	108	#5	5'-1"	—
v32(E)	110	#11	40'-2"	—
Structure Excavation		Cu. Yd.	83.4	
Concrete Structures		Cu. Yd.	98.7	
Reinforcement Bars		Pound	3,500	
Reinforcement Bars, Epoxy Coated		Pound	41,140	
Concrete Sealer		Sq. Ft.	240	
Drilled Shaft in Soil		Cu. Yd.	58.3	
Drilled Shaft in Rock		Cu. Yd.	5.4	
Non-Special Waste Disposal		Cu. Yd.	128.2	



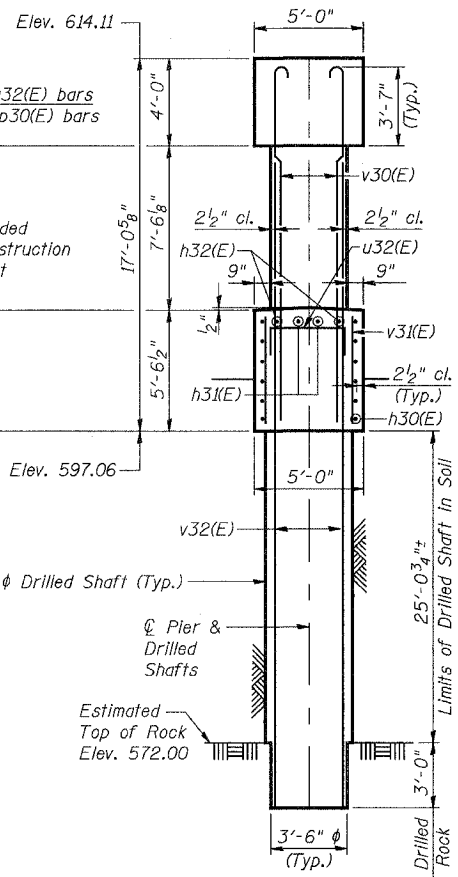
BAR u30(E)



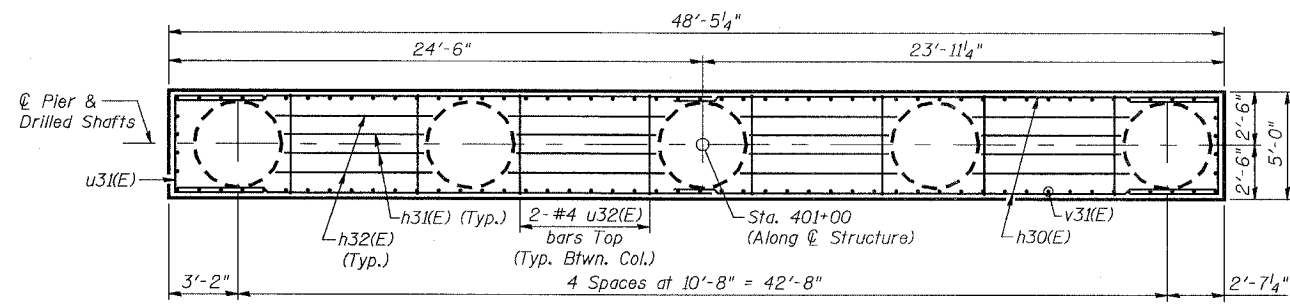
BAR v30(E)



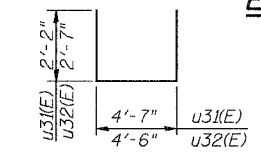
ELEVATION



END VIEW



CRASH WALL PLAN



BAR u31(E) & u32(E)

NOTES:
Reinforcement Bars designated (E) shall be epoxy coated.
Length of Spiral given is height of Spiral.
Weight includes weight of spacers for Spiral.
Drilled Shafts shall be drilled to Elevation 569.00.
Quantities and Detailing are for the estimated Elevations shown on the Plans.
The actual conditions encountered in each Shaft may differ and the Drilled Shaft and Reinforcement Quantities shall be adjusted accordingly as directed by the Engineer and paid for at the corresponding Unit Bid Price.
Space reinforcement in seat to miss anchor bolts.
Min. Lap Lengths: #9 bar = 6'-6"
Bars designated 6x2 - #5 ... etc. indicates 6 lines of bars with 2 lengths per line.

REVISIONS	
NAME	DATE

ILLINOIS DEPARTMENT OF TRANSPORTATION
US RTE 6 FROM I-294 TO IL RTE 1
PIER
CN THOROUGHFARE TRACK
BRIDGE 20.6E OVER U.S. RTE. 6 (159TH STREET)
STATION 96+36.66 STRUCTURE NO. 016-2822
SCALE: 1/4"=1'-0" DATE: 2/21/2008

URS
100 South Wacker Drive,
Suite 500
Chicago, IL 60606
(312) 939-1000

4/21/2008 12:50:17 PM
c:\17049\065\structures\2822_e_rr\dka\23_pier.dgn

DESIGNED MDS
CHECKED JPB
DRAWN MDS
CHECKED JPB