

STATE OF ILLINOIS  
DEPARTMENT OF TRANSPORTATION

ROUTE NO.	SECTION	COUNTY	TOTAL SHEETS	SHEET NO.
F.A.P. 351	2008-001VB	COOK	579	507
FED. ROAD DIST. NO. 7		ILLINOIS	FED. AID PROJECT-	

CONTRACT NO. 60E10

SHEET NO. 5  
24 SHEETS

**BILL OF MATERIAL  
RETAINING WALL "B"**

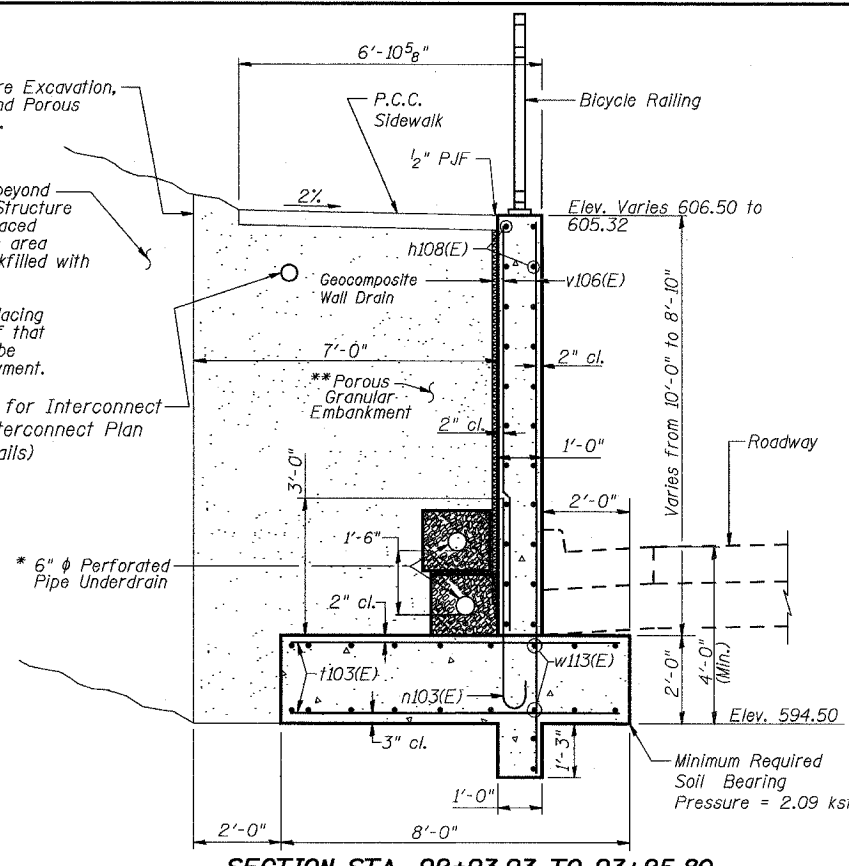
Bar	No.	Size	Length	Shape
h107(E)	40	#5	33'-9"	—
h108(E)	22	#5	34'-0"	—
h109(E)	2	#5	20'-9"	—
n103(E)	100	#6	5'-4"	U
s100(E)	16	#5	2'-8"	□
t101(E)	46	#6	7'-0"	—
t102(E)	88	#6	8'-0"	—
t103(E)	66	#6	7'-8"	—
v102(E)	45	#5	11'-10"	—
v106(E)	53	#5	21'-6"	—
v107(E)	45	#5	8'-10"	—
w110(E)	8	#5	6'-8"	—
w111(E)	10	#5	6'-1"	—
w113(E)	20	#5	30'-6"	—
w114(E)	36	#5	33'-9"	—
Porous Granular Embankment			Cu. Yd.	173
Structure Excavation			Cu. Yd.	297
Concrete Structures			Cu. Yd.	95.0
Reinforcement Bars, Epoxy Coated			Pound	9,560
Pipe Underdrain For Structures 6"			Foot	196
Bar Splicers			Each	16
Geocomposite Wall Drain			Sq. Yd.	96
Non-Special Waste Disposal			Cu. Yd.	297.3

Pay limit for Structure Excavation, Braced Excavation and Porous Granular Embankment.

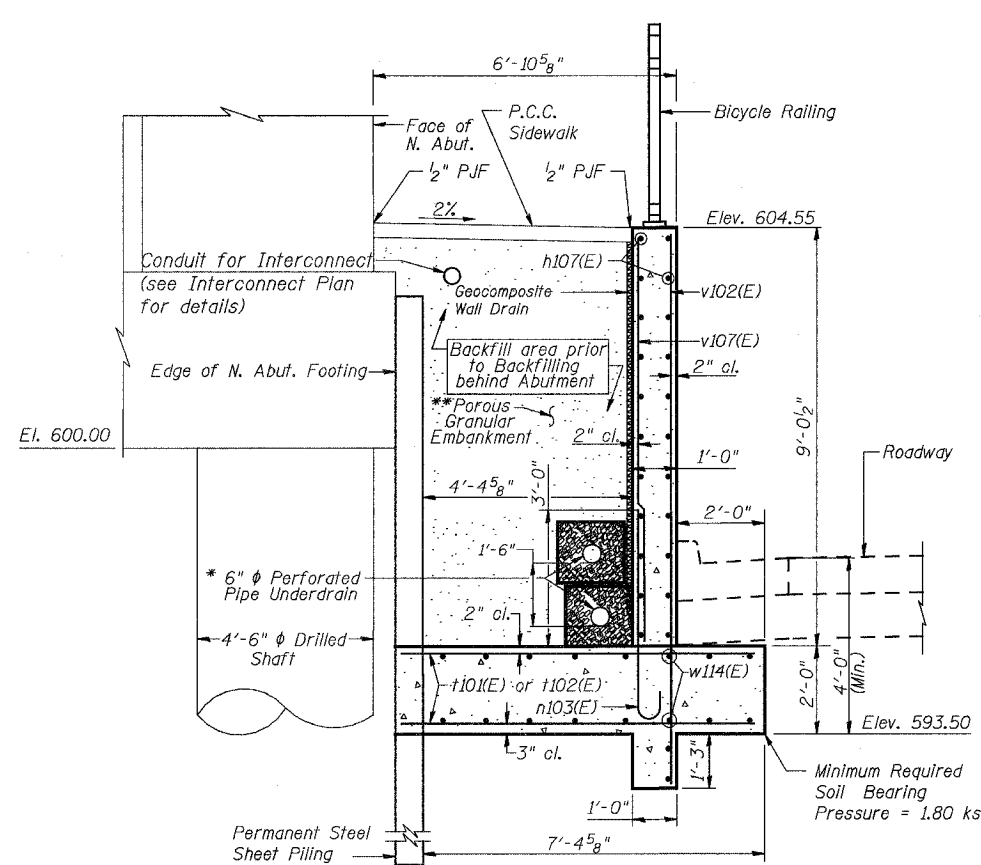
Over excavation beyond the pay limit of Structure Excavation or Braced Excavation. This area also shall be backfilled with Porous Granular Embankment. Furnishing and placing of this portion of that material will not be measured for payment.

Conduit for Interconnect (see Interconnect Plan for details)

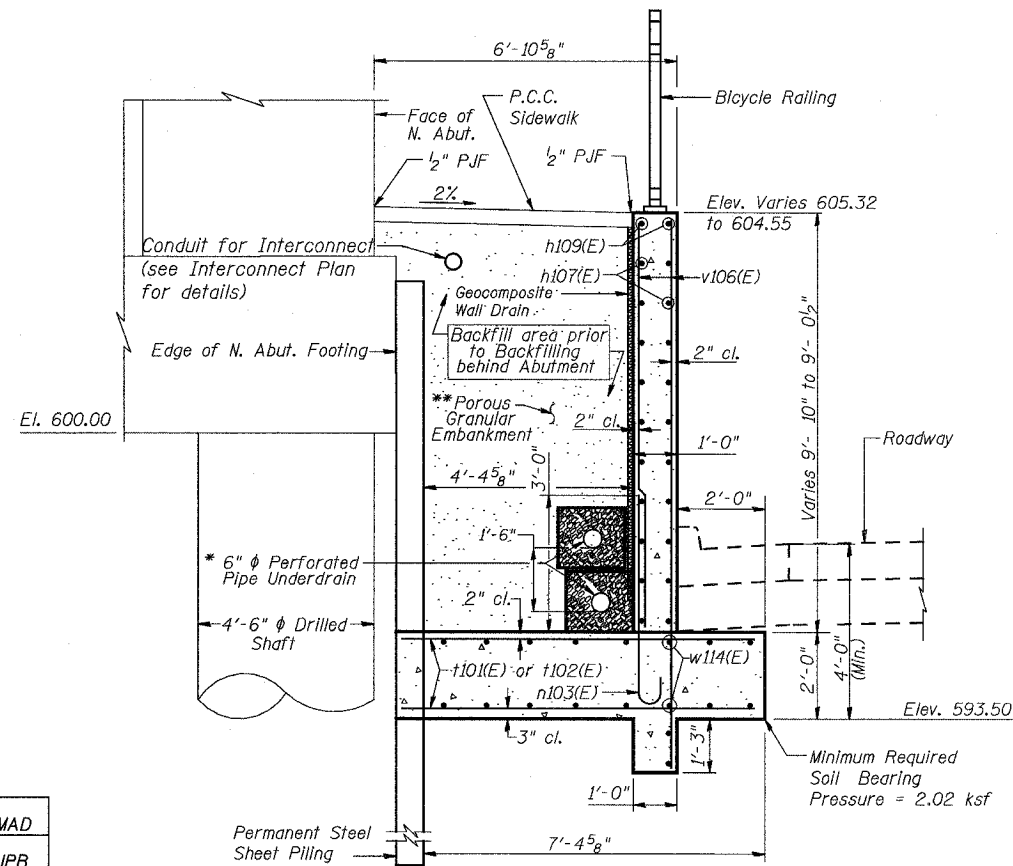
\* 6"  $\phi$  Perforated Pipe Underdrain



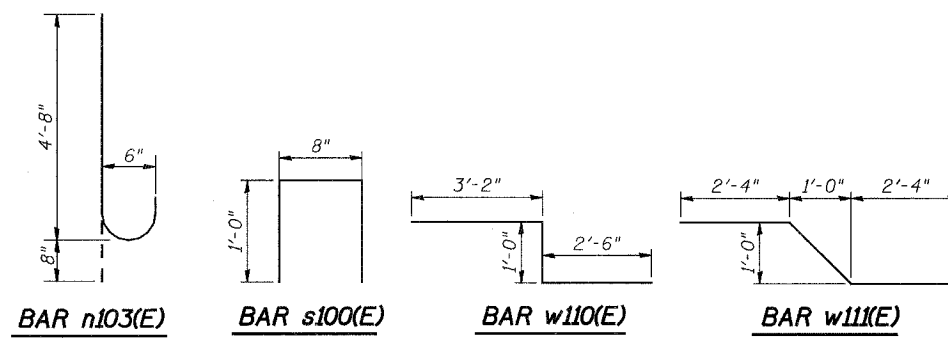
**SECTION STA. 92+93.93 TO 93+25.80**



**SECTION STA. 93+46.55 TO 93+91.47**



**SECTION STA. 93+25.80 TO 93+46.55**



- Notes:
1. Work this sheet with Sheet 4.
  2. \*\* Excavation for placing Porous Granular Embankment is included in cost of Braced Excavation & Structure Excavation.
  3. Porous Granular Embankment shall be compacted to 95% Modified Proctor Density and its coarse aggregate gradation shall be CA 18.

\* See Miscellaneous Details For Retaining Walls A-M sheet For Pipe Underdrain Detail

DESIGNED	MAD
CHECKED	JPB
DRAWN	MDS
CHECKED	DEY

**URS**  
100 South Wacker Drive,  
Suite 500  
Chicago, IL 60606  
(312) 939-1000

REVISIONS	
NAME	DATE

ILLINOIS DEPARTMENT OF TRANSPORTATION  
US RTE 6 FROM I-294 TO IL RTE 1  
**RET. WALL "B" DETAILS**  
**STA. 92+93.93 TO 93+91.47**  
8.5 MAINLINE RETAINING WALLS  
ALONG 159TH STREET  
SCALE: DATE: 2/21/2008

3/13/2008 5:50:03 PM  
17049.069\structures\retaining walls\main contract\walls under bridges\along us 6\05 n93-94 b.b.dan